

NOTE: PRE-CUT KITS ARE NOT PRE-DRILLED.
(Holes shown in this drawing are for reference only. Drilling of pilot holes are to be done by fabricator.)

PARTS LIST			
ITEM	PART #	DESCRIPTION	NOTES
1	K2008	Flat Double Face Body	Assembly
2	K2204	Flat Bleed Rigid Retainer	Assembly
79	5175	Hinge Screw - #10 x 5/8" Pan Head	Pre-drill 5/32" pilot hole every 36" o/c
80	5175	Closure Screw - #10 x 5/8" Pan Head	Pre-drill 5/32" pilot hole every 48" o/c

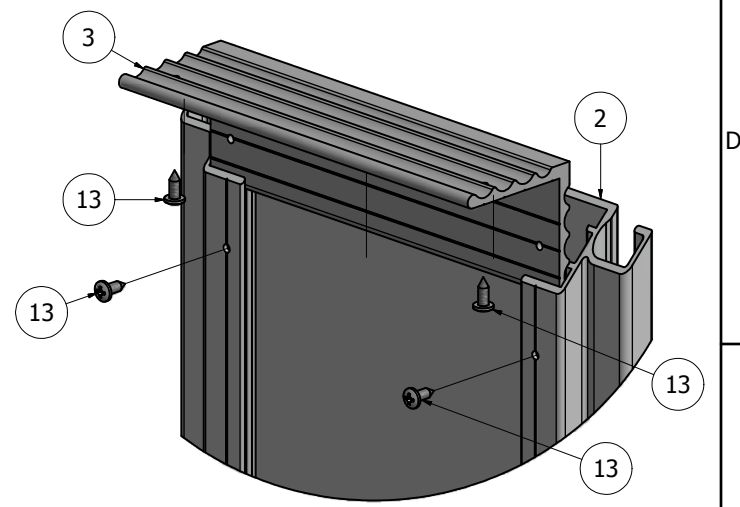
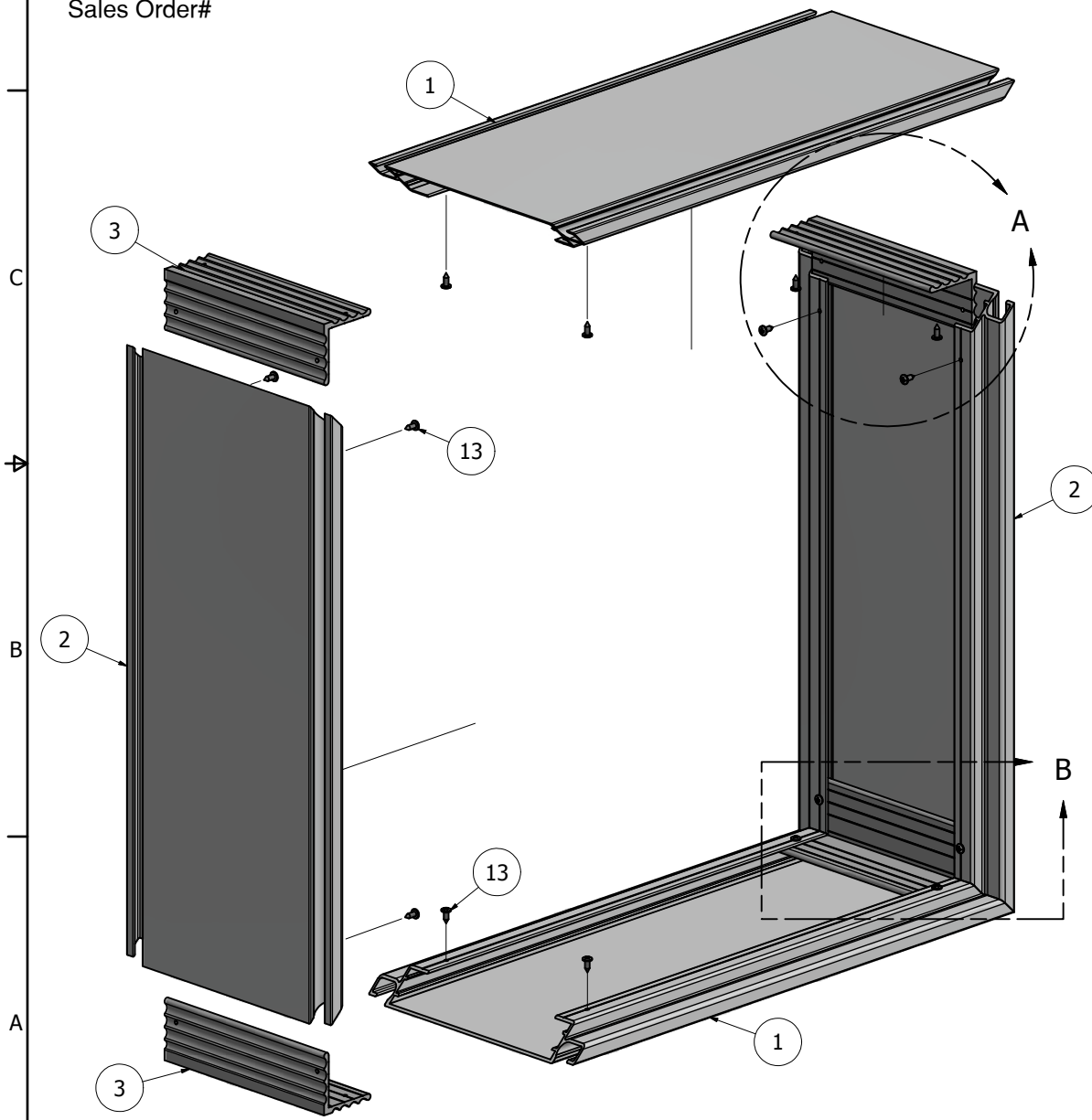
THIS DRAWING WAS CREATED AT NO CHARGE TO ASSIST YOU IN VISUALIZING OUR PROPOSAL. THE DRAWING HEREIN IS THE PROPERTY OF SIGNCOMP. PERMISSION TO COPY OR REVISE THIS DRAWING OR TO USE THIS DRAWING FOR PRODUCTION IS STRICTLY PROHIBITED AND CAN ONLY BE COPIED, REVISED OR USED FOR PRODUCTION WITH THE EXPRESSED WRITTEN PERMISSION OF SIGNCOMP.

DRAWING BY:	SBreihof	9/11/2013
Centroid X:	0.000 in	
Centroid Y:	0.000 in	
Principal Moments Ix:	0.000 in ⁴	
Principal Moments Iy:	0.000 in ⁴	
Section Modulus Ix:	0.000 in ³	
Section Modulus Iy:	0.000 in ³	

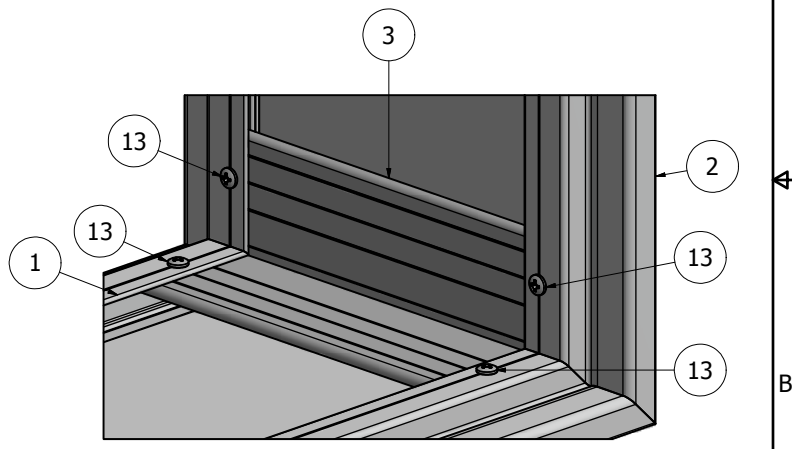
SignComp		TITLE
		Flat Double Face Body w/ Flat Bleed Rigid Retainer - Assembly
PART NO	K2008-2204	REV
SHEET 1 OF 1		

PARTS LIST			
ITEM	PART #	DESCRIPTION	NOTES
1	2008	Flat Double Face Body	Top & Bottom
2	2008	Flat Double Face Body	Sides
3	5908	Flat Double Face Body Corner Angle	One (1) per corner
13	5218	Corner Angle Screw	Pre-drill 5/32" pilot hole

Ship To:
Sales Order#



DETAIL A



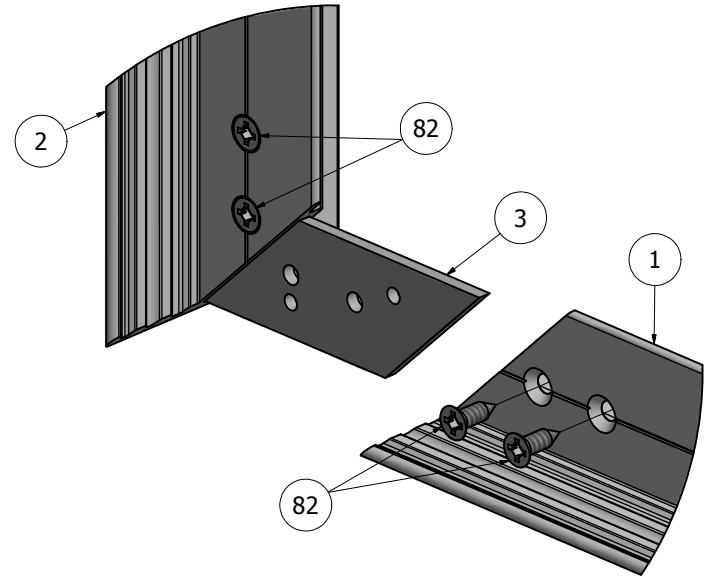
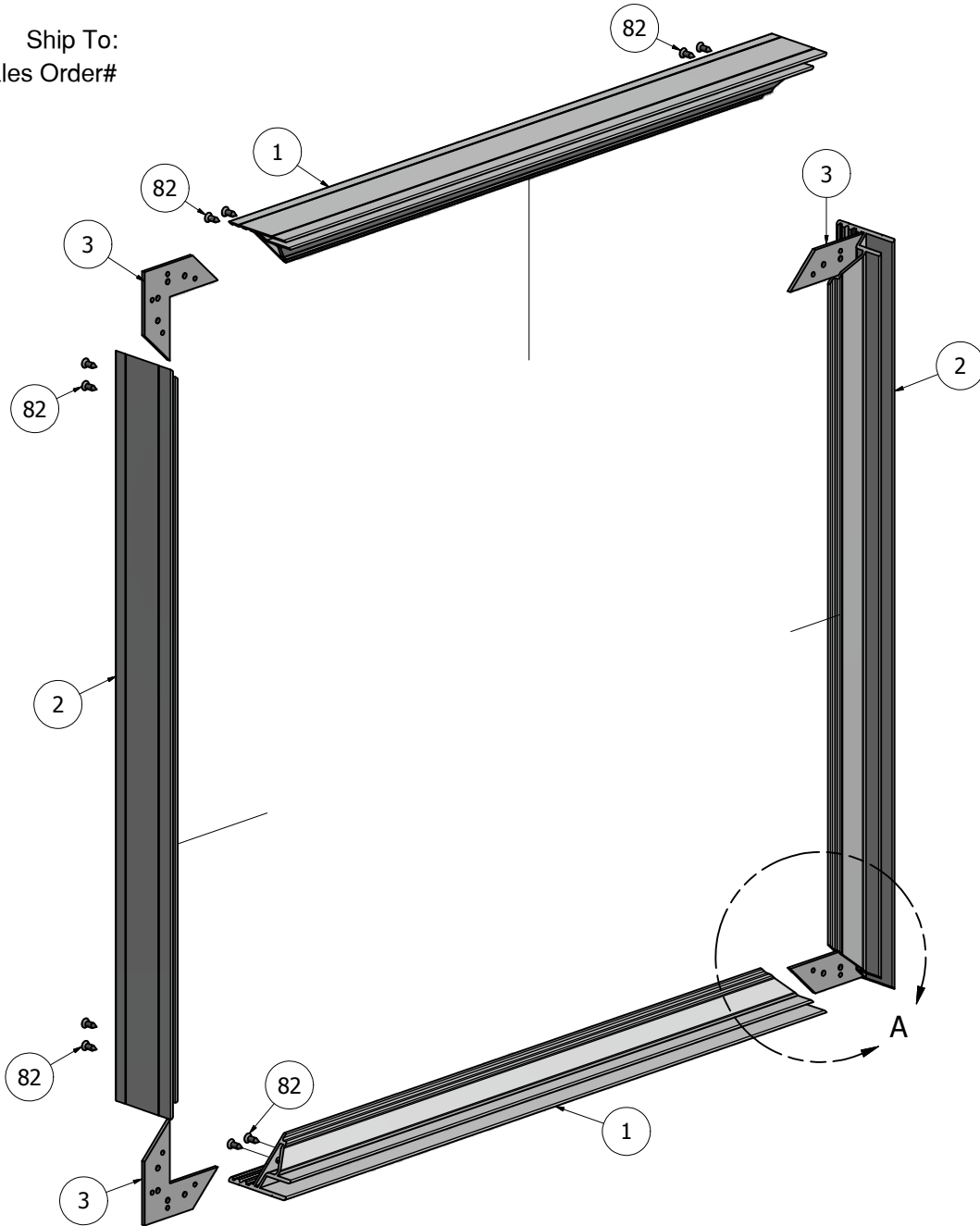
DETAIL B

NOTE: PRE-CUT KITS ARE NOT PRE-DRILLED.
(Holes shown in this drawing are for reference only.
Drilling of pilot holes are to be done by fabricator.)

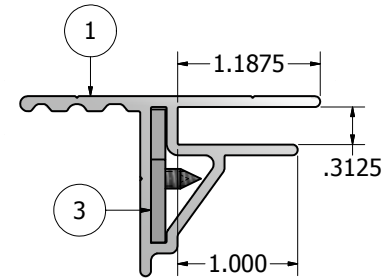
DRAWING BY: SBreihof 8/14/2013		SignComp
Centroid X: 0.000 in	TITLE	
Centroid Y: 0.000 in	Flat Double Face Body - Assembly	
Principal Moments Ix: 0.000 in ⁴	PART NO	REV
Principal Moments Iy: 0.000 in ⁴	K2008	
Section Modulus Ix: 0.000 in ³	SHEET 1 OF 1	
Section Modulus Iy: 0.000 in ³		

		PARTS LIST	
ITEM	PART#	DESCRIPTION	NOTES
1	2204	Flat Bleed Retro Frame	Top & Bottom
2	2204	Flat Bleed Retro Frame	Sides
3	5210	Corner Key	
82	5168	Flat Bleed Retainer Screw	#8 x 1/2" Countersink - Predrill & Countersink 1/8" hole

Ship To:
Sales Order#



DETAIL A
BACK SIDE



CROSS-SECTION VIEW

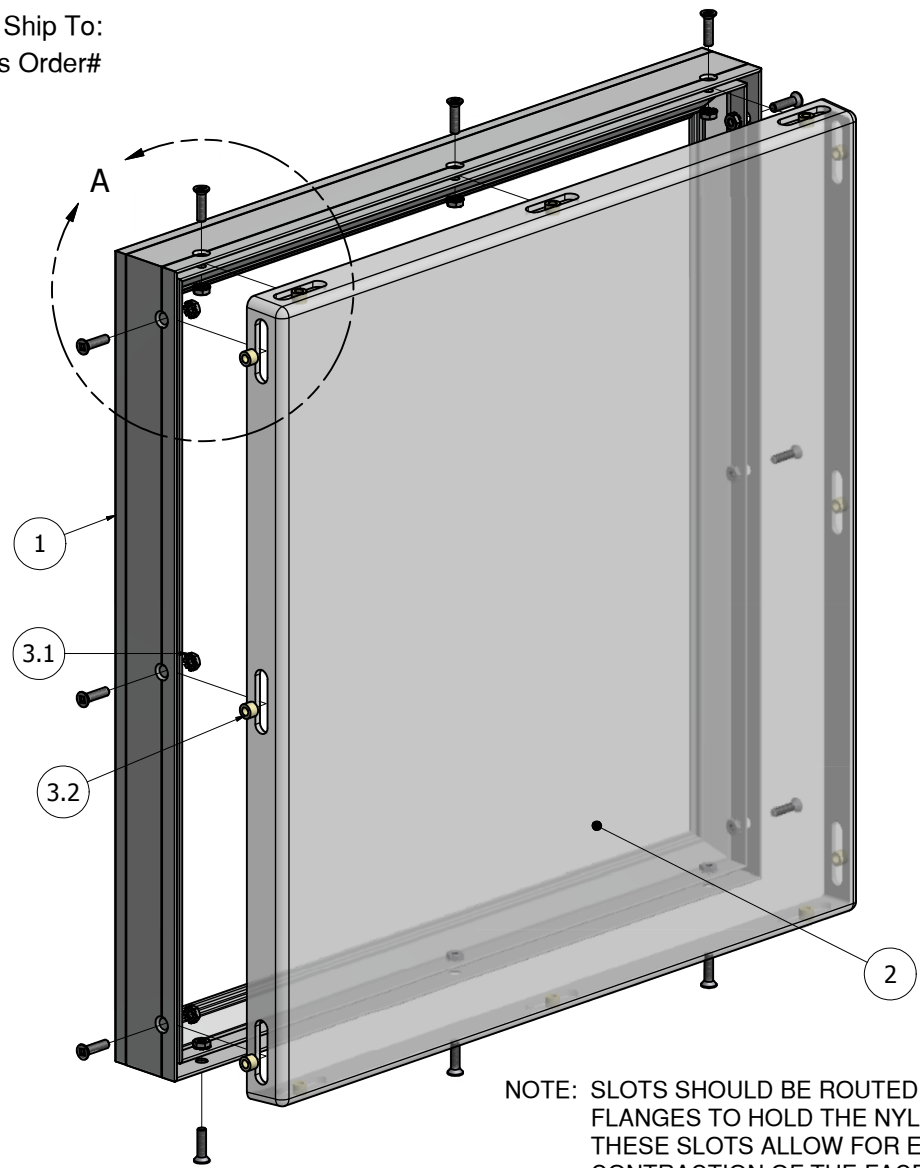
NOTE: PRE-CUT KITS ARE NOT PRE-DRILLED.
(Holes shown in this drawing are for reference only.
Drilling of pilot holes are to be done by fabricator.)

THIS DRAWING WAS CREATED AT NO CHARGE TO ASSIST YOU IN VISUALIZING OUR PROPOSAL. THE DRAWING HEREIN IS THE PROPERTY OF SIGNCOMP. PERMISSION TO COPY OR REVISE THIS DRAWING OR TO USE THIS DRAWING FOR PRODUCTION IS STRICTLY PROHIBITED AND CAN ONLY BE COPIED, REVISED OR USED FOR PRODUCTION WITH THE EXPRESSED WRITTEN PERMISSION OF SIGNCOMP.

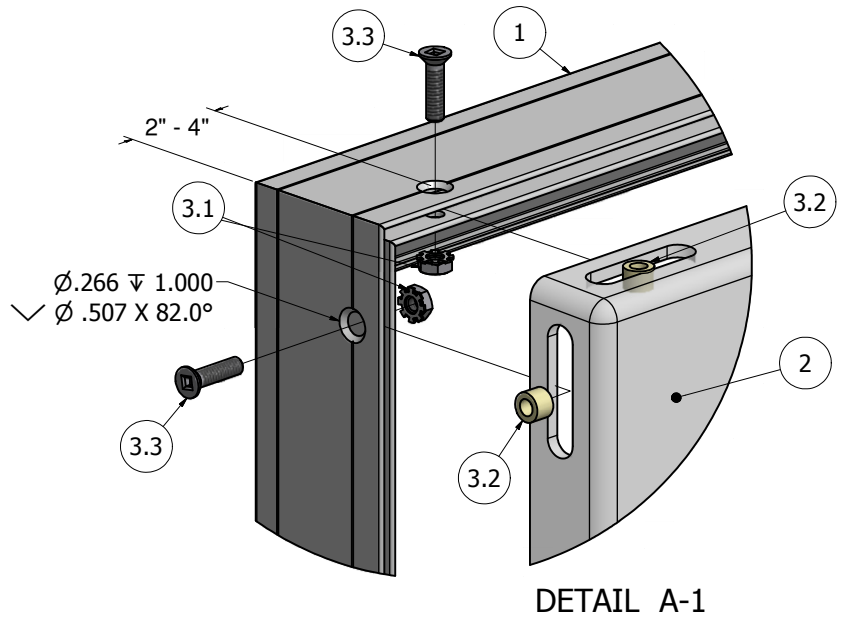
DRAWING BY:	SBreihof	8/27/2013	SignComp
Centroid X:	0.000 in		
Centroid Y:	0.000 in		TITLE
Principal Moments Ix:	0.000 in ⁴		Flat Bleed Rigid Retainer
Principal Moments Iy:	0.000 in ⁴		PART NO
Section Modulus Ix:	0.000 in ³		K2204
Section Modulus Iy:	0.000 in ³		REV

PARTS LIST			
ITEM	PART#	DESCRIPTION	NOTES
1	K2204	Flat Bleed Rigid Retainer	Assembly
1.3	5210	Corner Key	
1.4	5168	Flat Bleed Rigid Retainer Screw	
2		3/16" Polycarbonate Pan Face	By Other
3	5285	Rigid Face Hardware	Assembly - Approx. 18" o/c
3.1		1/4" x 20 Lock Nut	
3.2		Nylon Bushing	
3.3		1/4" x 20 x 1" UNC Square Recessed Flat Countersunk Head Machine Screw - Type III	

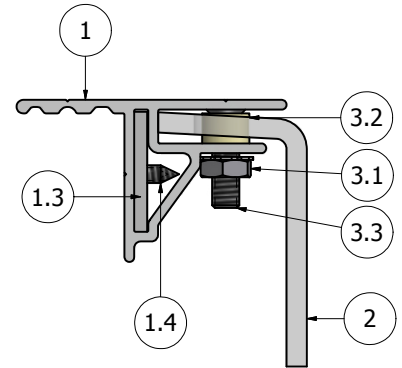
Ship To:
Sales Order#



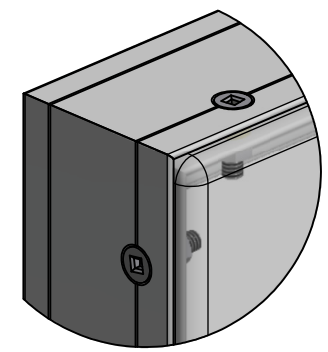
NOTE: SLOTS SHOULD BE ROUTED INTO THE FACE FLANGES TO HOLD THE NYLON BUSHINGS. THESE SLOTS ALLOW FOR EXPANSION AND CONTRACTION OF THE FACE MATERIAL.



DETAIL A-1



CROSS-SECTION VIEW



DETAIL A-2
ASSEMBLED

NOTE: PRE-CUT KITS ARE NOT PRE-DRILLED.
(Holes shown in this drawing are for reference only. Drilling of pilot holes are to be done by fabricator.)

THIS DRAWING WAS CREATED AT NO CHARGE TO ASSIST YOU IN VISUALIZING OUR PROPOSAL. THE DRAWING HEREIN IS THE PROPERTY OF SIGNCOMP. PERMISSION TO COPY OR REVISE THIS DRAWING OR TO USE THIS DRAWING FOR PRODUCTION IS STRICTLY PROHIBITED AND CAN ONLY BE COPIED, REVISED OR USED FOR PRODUCTION WITH THE EXPRESSED WRITTEN PERMISSION OF SIGNCOMP.		
DRAWING BY:	SBreihof 8/27/2013	SignComp
Centroid X:	0.000 in	
Centroid Y:	0.000 in	TITLE
Principal Moments Ix:	0.000 in ⁴	Flat Bleed Rigid Retainer Face - Assembly
Principal Moments Iy:	0.000 in ⁴	PART NO
Section Modulus Ix:	0.000 in ³	K2204-FACE
Section Modulus Iy:	0.000 in ³	REV
		SHEET 1 OF 1