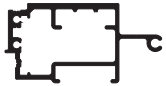




NEW PRODUCT UPDATE:

Commercial Access Frame

June 2013



Part Number
2060

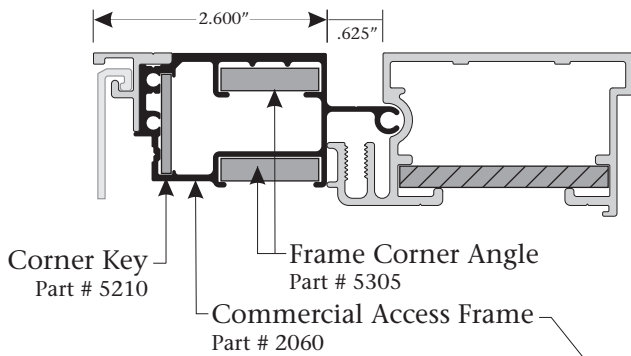
Part
Commercial Access Frame

Length
24'-6"

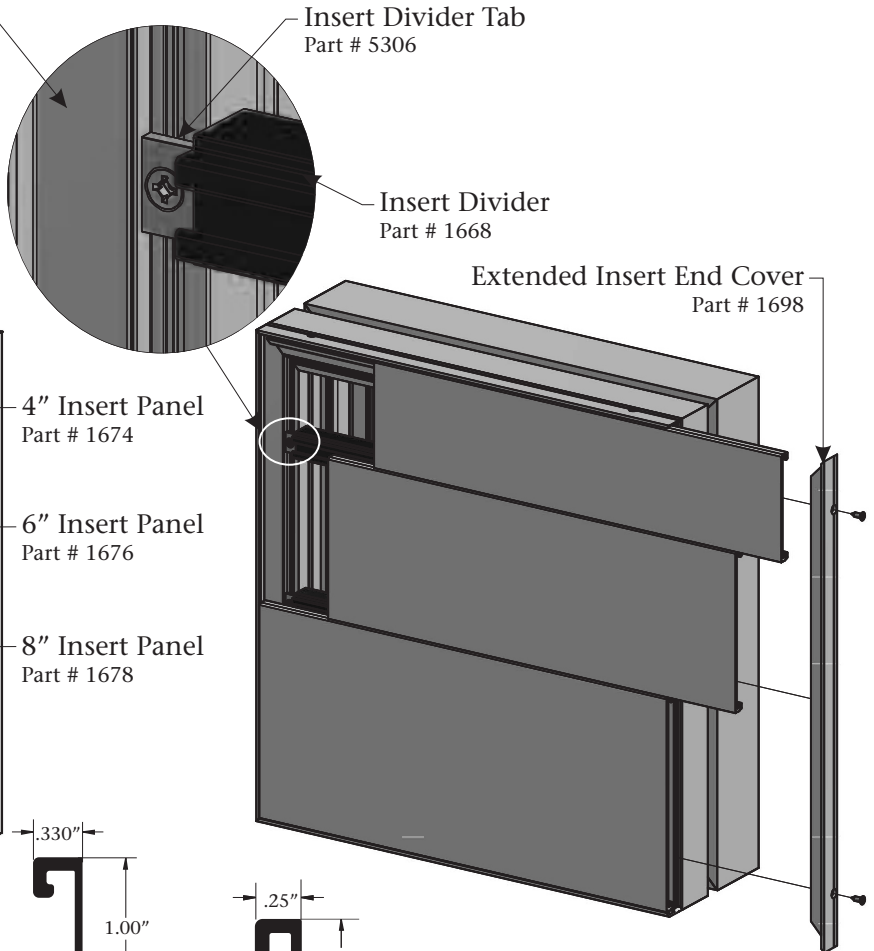
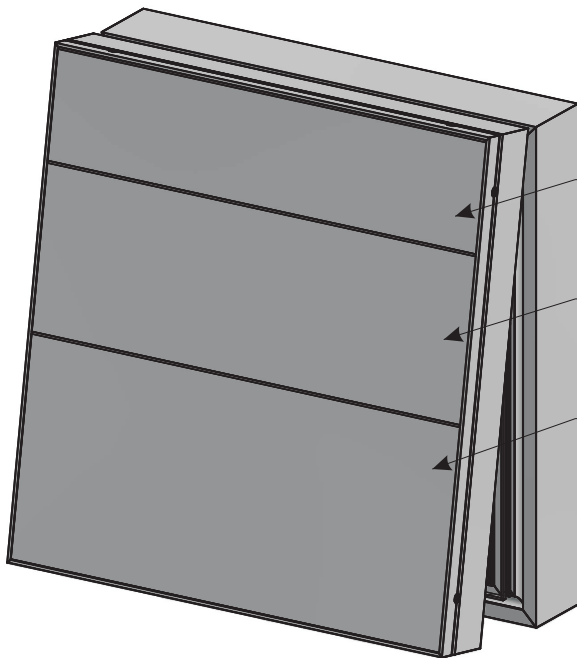
Finish
Mill Finish

Features & Benefits

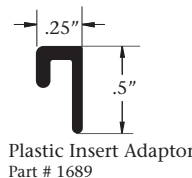
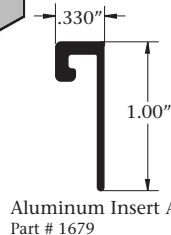
- Allows SignComp Insert Panel System to be utilized on all Commercial bodies.
- Corner key/angle slots provide ease of assembly and added structure.
- Clean, frameless appearance.
- Allows for a hinged face.



Shown with Narrow Single Face Body
Part # 2021



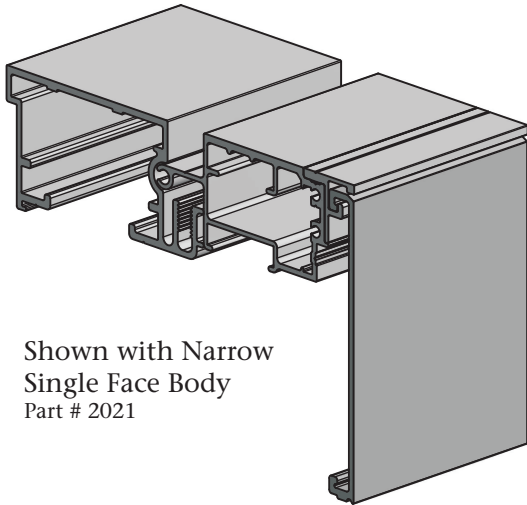
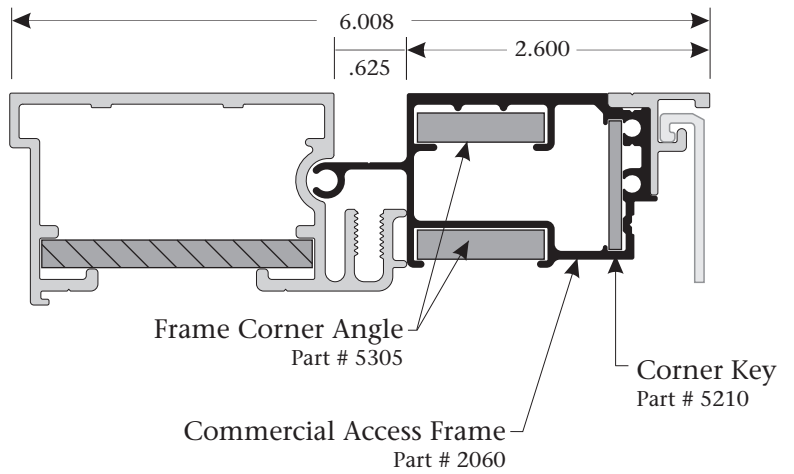
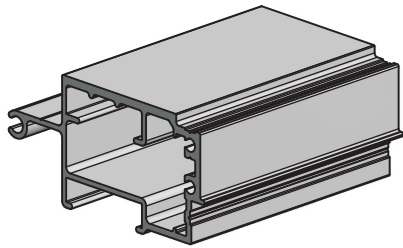
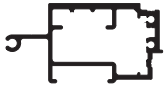
Note: Custom sized aluminum or acrylic panels can be created using SignComp Insert Panel Adaptors.





NEW PRODUCT UPDATE: Commercial Access Frame

Part Number	Part	Length	Finish
2060	Commercial Access Frame	24'-6"	Mill Finish



Shown with Narrow Single Face Body Part # 2021

Features & Benefits

- Five (5) cover options
 - Insert** - Removable Panels
 - Framed** - Rigid Plastic Faces
 - Radius** - Rigid Plastic Faces
 - Bleed** - Metal Faces
 - Frameless** - Metal Faces
- Can be used with all Commercial Bodies

Cover Options:

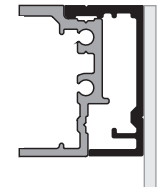
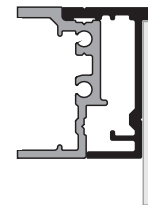
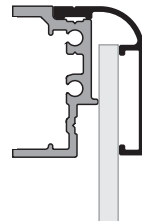
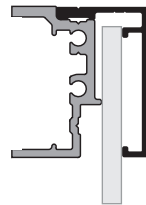
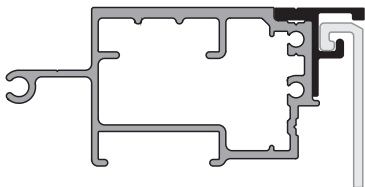
Insert Top/Bottom Cover Part #1292

Slide Cover Part #1694

Radius Slide Cover Part #1695

Bleed Cover Part #1692

Frameless Cover Part #1693



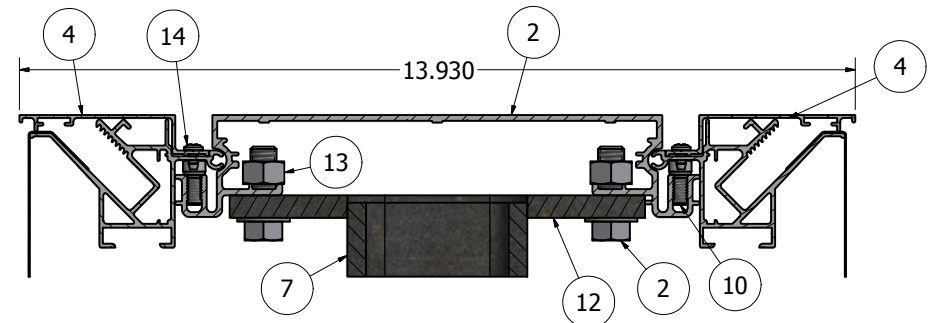
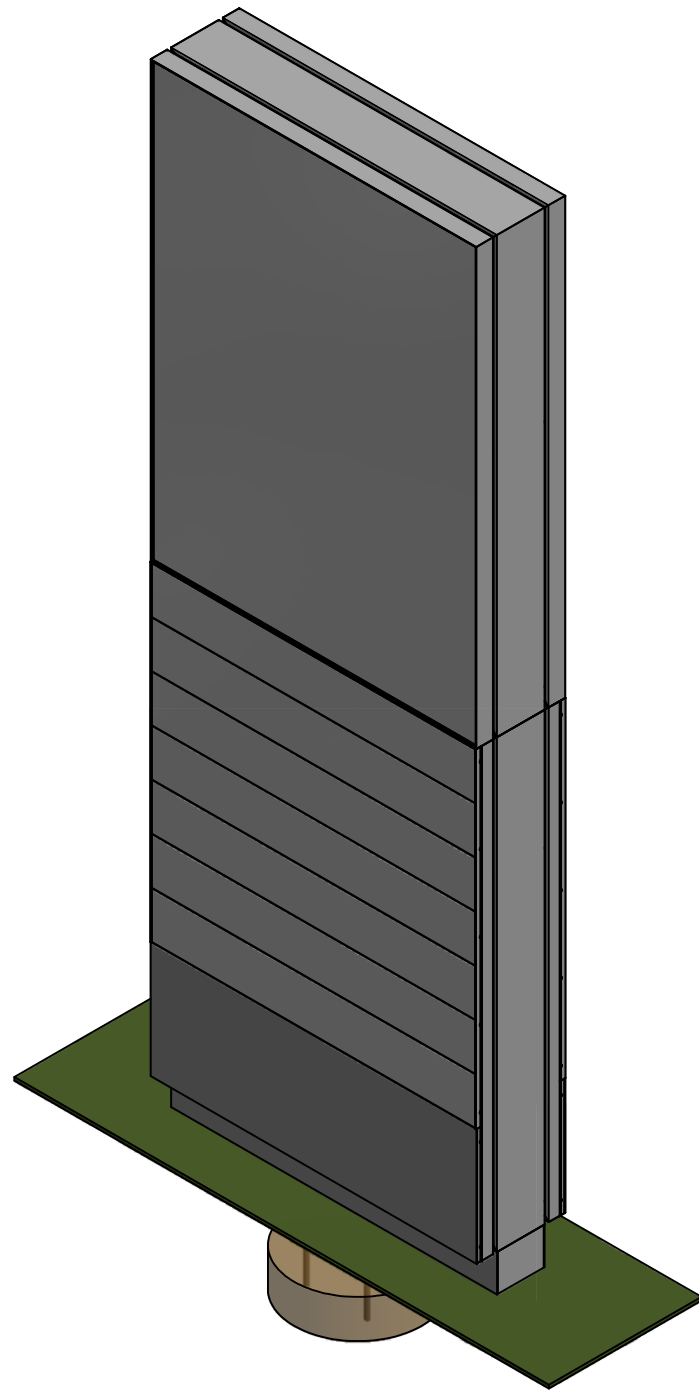
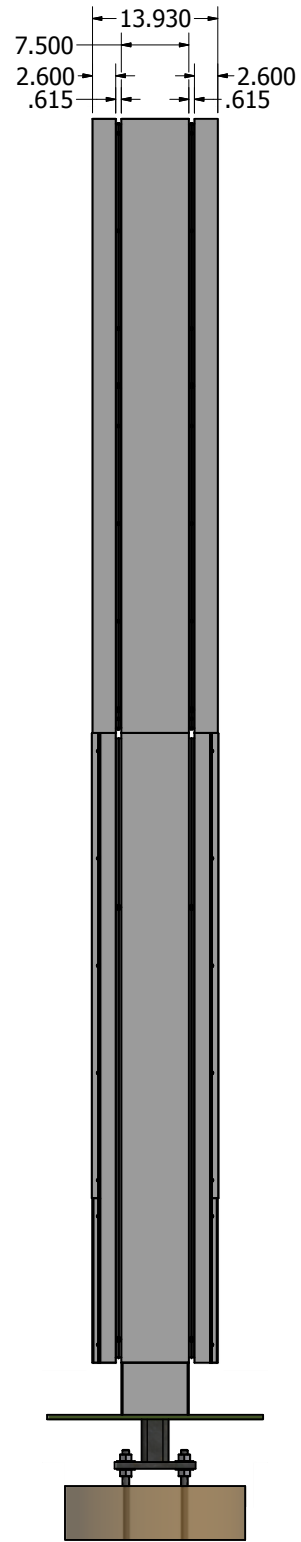
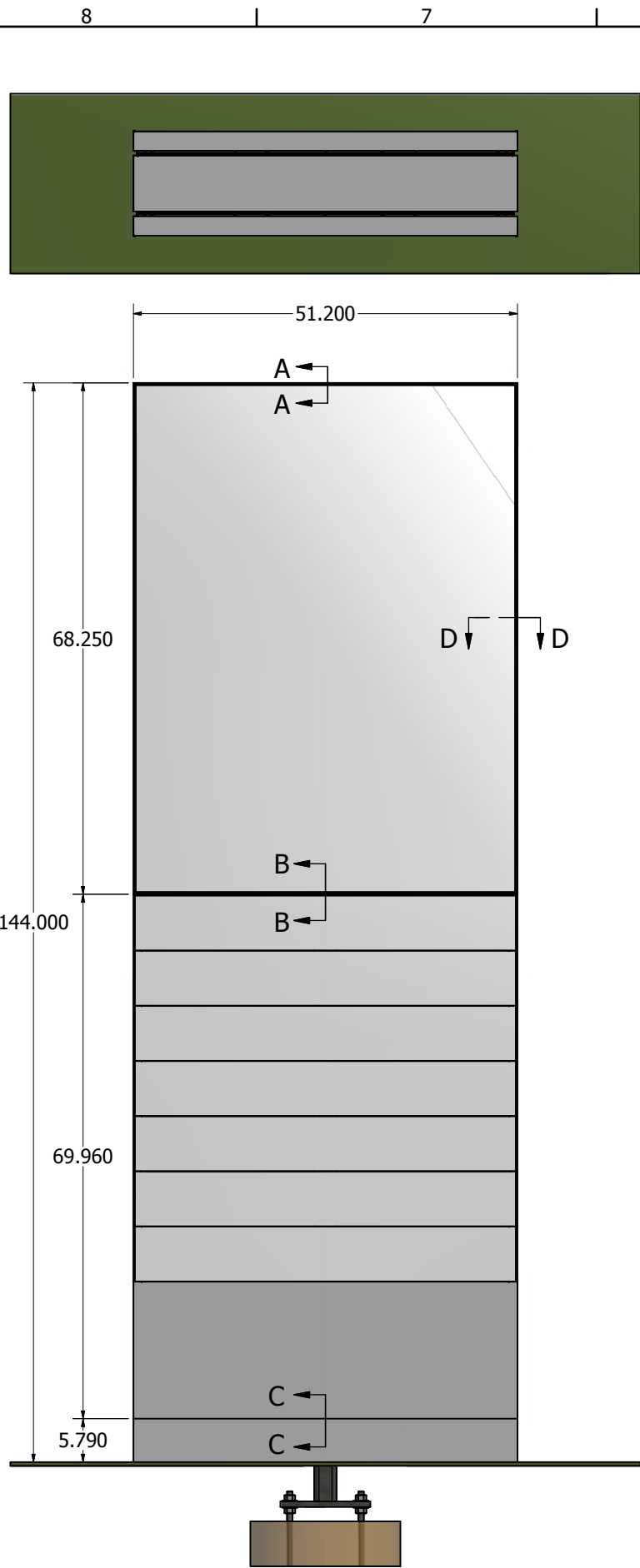
Insert Panel System

Framed

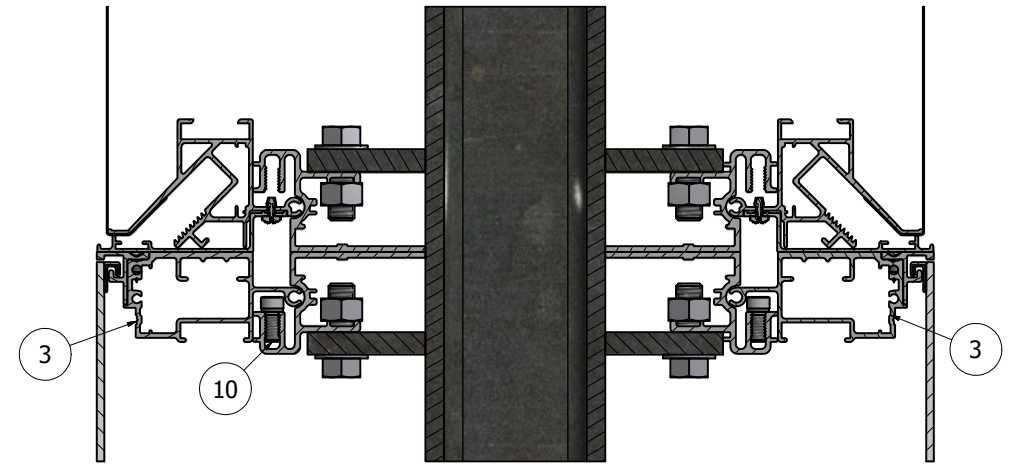
Radius

Bleed

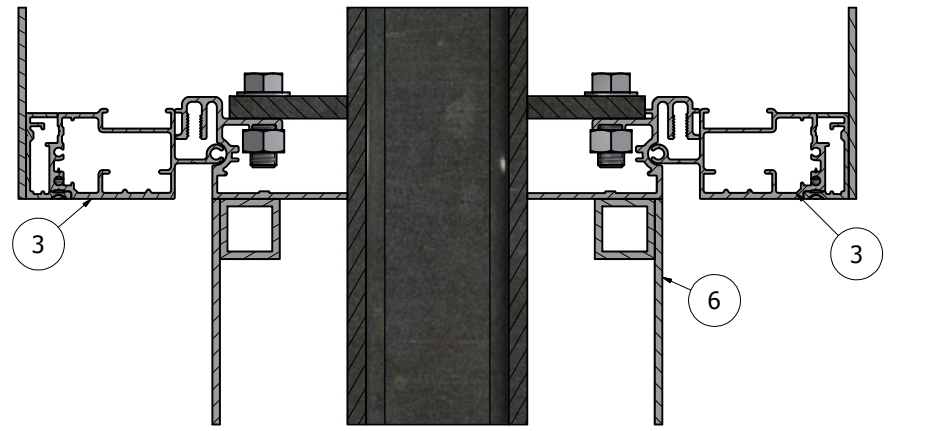
Frameless



SECTION A-A



SECTION B-B



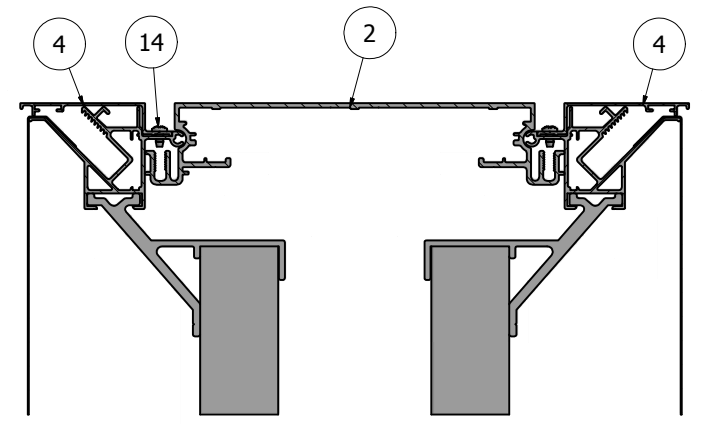
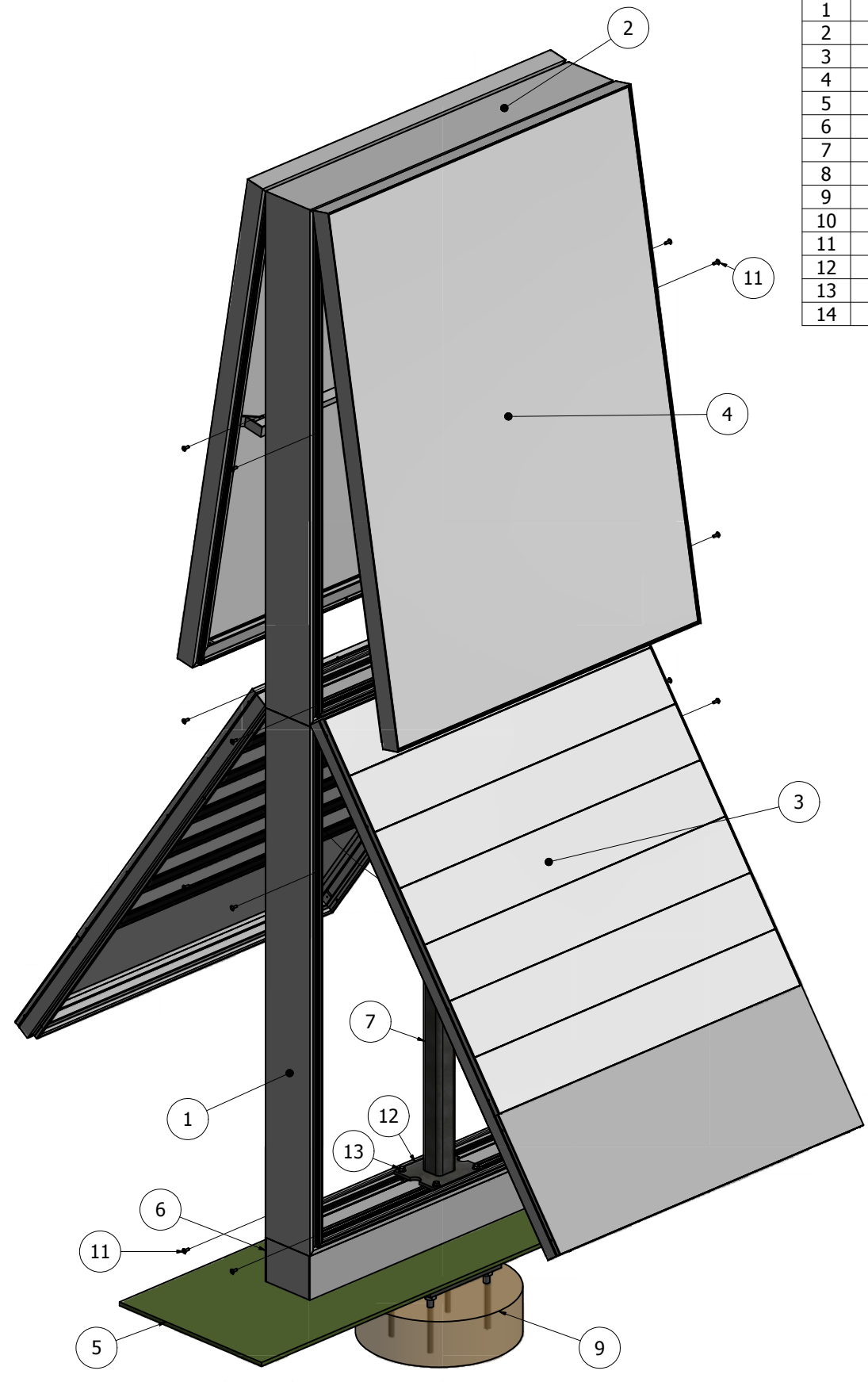
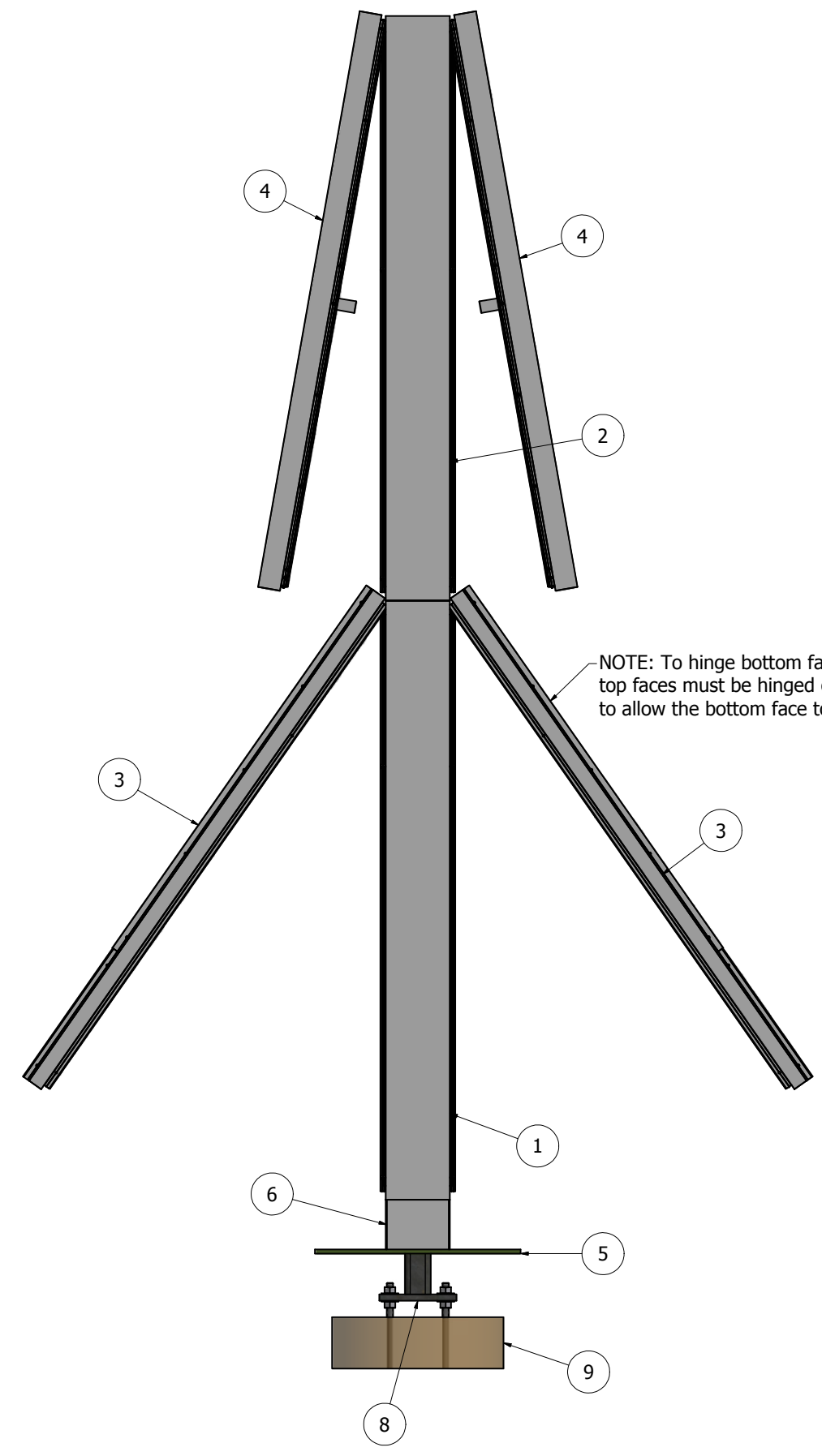
SECTION C-C

NOTE:
 All structural detailing for sign construction is the sole responsibility of the sign contractor. All details shown here should be considered as Design Intent only. The sign fabricator shall provide engineering drawings stamped by a licenced structural engineer.

THIS DRAWING WAS CREATED AT NO CHARGE TO ASSIST YOU IN VISUALIZING OUR PROPOSAL. THE DRAWING HEREIN IS THE PROPERTY OF SIGNCOMP. PERMISSION TO COPY OR REVISE THIS DRAWING OR TO USE THIS DRAWING FOR PRODUCTION IS STRICTLY PROHIBITED AND CAN ONLY BE COPIED, REVISED OR USED FOR PRODUCTION WITH THE EXPRESSED WRITTEN PERMISSION OF SIGNCOMP.

DRAWN	Steve	11/16/2012	SignComp
Centroid X:	0.000 in	TITLE	
Centroid Y:	0.000 in	Directional w/Emergency (Flex) - Changeble Informational Panels (Insert Panel System)	
Principal Moments Ix:	0.000 in ⁴	DWG NO	REV
Principal Moments Iy:	0.000 in ⁴	MF-IP	
Section Modulus Ix:	0.000 in ³	SHEET 1 OF 2	
Section Modulus Iy:	0.000 in ³		

PARTS LIST			
ITEM	QTY	PART #	DESCRIPTION
1	1	2015	Medium Body Cabinet
2	1	2015	Medium Body Cabinet
3	2	2060/92	Commercial Access Frame with Insert Panel System
4	2	2085/95	Tension Frame with Bleed Tension Frame Cover and Frame Bracing
5	1		Finish Grade
6	1		Fabricated Aluminum Base
7	1		SQ Tube Support
8	1		Base Plate
9	1		Footing/Anchor Bolts
10	16	5170	Hinge Screw
11	16	5180	Closure Screw
12	4		3/8" Steel Plate - Main Support Mounting Plate
13	16		7/16" x 1.25" Support Mounting Plate Attachment Bolt-Washer-Nut
14		5195	#8 x 3/16" Cover Screw



SECTION D-D (Side)

THIS DRAWING WAS CREATED AT NO CHARGE TO ASSIST YOU IN VISUALIZING OUR PROPOSAL. THE DRAWING HEREIN IS THE PROPERTY OF SIGNCOMP. PERMISSION TO COPY OR REVISE THIS DRAWING OR TO USE THIS DRAWING FOR PRODUCTION IS STRICTLY PROHIBITED AND CAN ONLY BE COPIED, REVISED OR USED FOR PRODUCTION WITH THE EXPRESSED WRITTEN PERMISSION OF SIGNCOMP.

DRAWN	Steve	11/16/2012	SignComp
Centroid X:	0.000 in	TITLE	
Centroid Y:	0.000 in	Directional w/Emergency (Flex) - Changeble Informational Panels (Insert Panel System)	
Principal Moments Ix:	0.000 in ⁴	DWG NO	MF-IP
Principal Moments Iy:	0.000 in ⁴	REV	
Section Modulus Ix:	0.000 in ³	SHEET 2 OF 2	
Section Modulus Iy:	0.000 in ³		