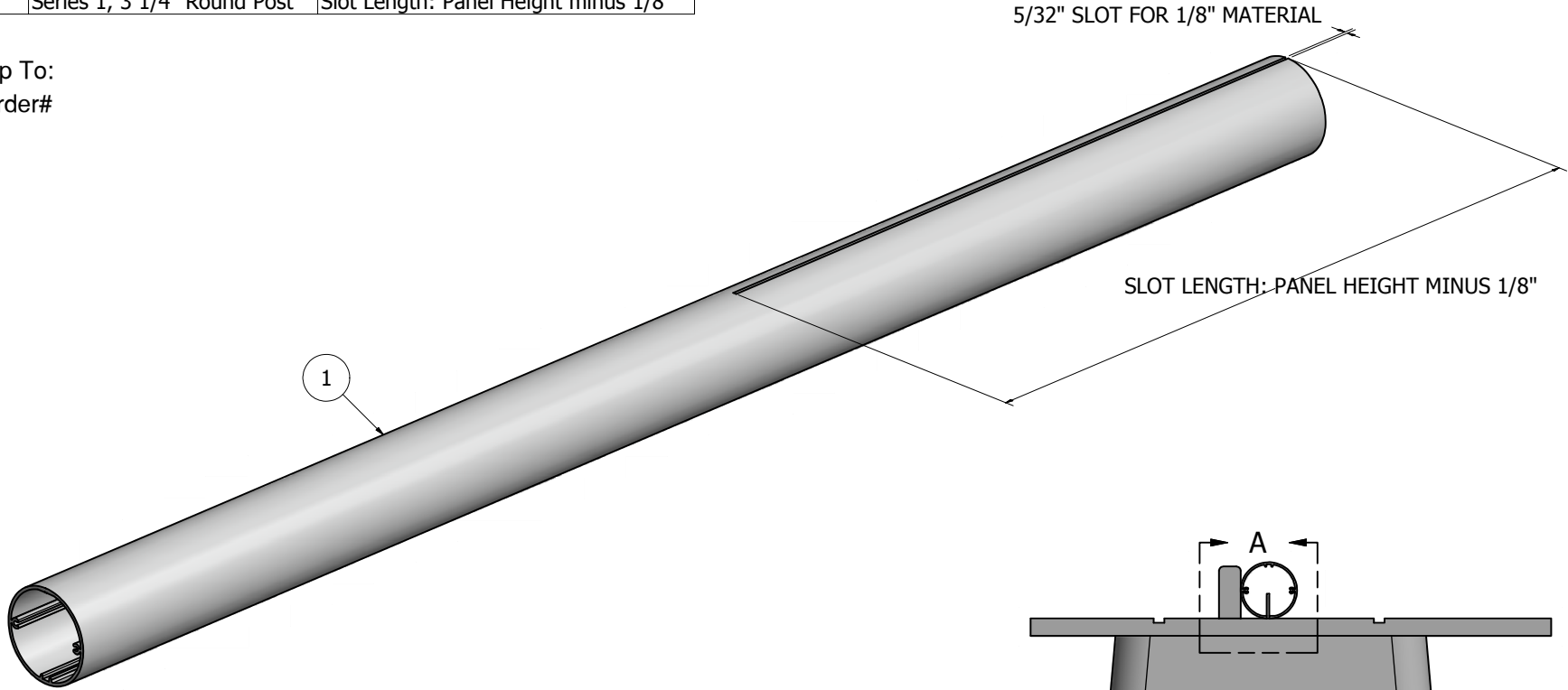


PARTS LIST			
ITEM	PART #	DESCRIPTION	NOTES
1	1007	Series 1, 3 1/4" Round Post	Slot Length: Panel Height minus 1/8"

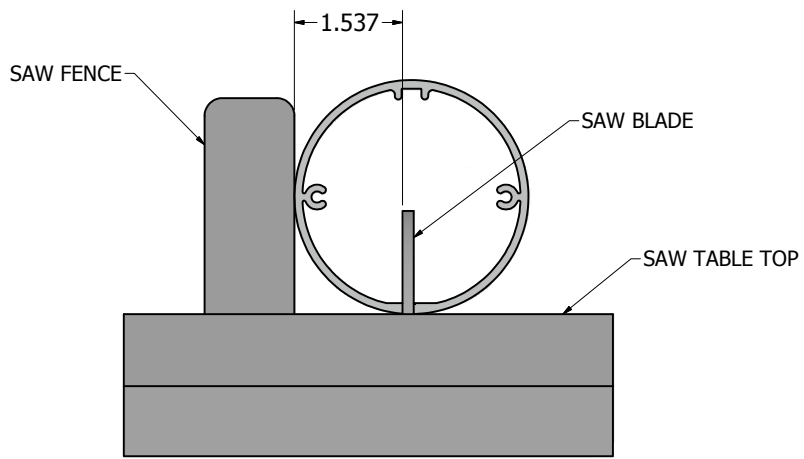
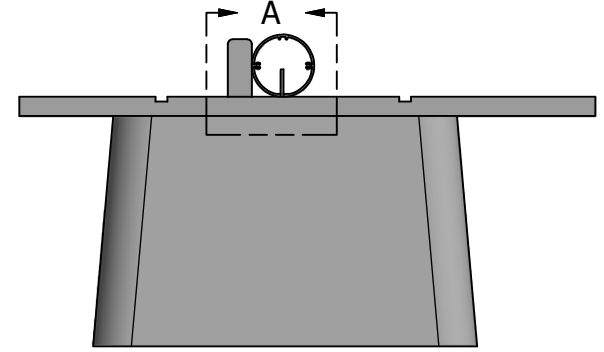
Ship To:  
Sales Order#



5/32" SLOT FOR 1/8" MATERIAL

SLOT LENGTH: PANEL HEIGHT MINUS 1/8"

1



DETAIL A

**NOTE: PRE-CUT KITS ARE NOT PRE-DRILLED.**  
(Holes shown in this drawing are for reference only.  
Drilling of pilot holes are to be done by fabricator.)

THIS DRAWING WAS CREATED AT NO CHARGE TO ASSIST YOU IN VISUALIZING OUR PROPOSAL. THE DRAWING HEREIN IS THE PROPERTY OF SIGNCOMP. PERMISSION TO COPY OR REVISE THIS DRAWING OR TO USE THIS DRAWING FOR PRODUCTION IS STRICTLY PROHIBITED AND CAN ONLY BE COPIED, REVISED OR USED FOR PRODUCTION WITH THE EXPRESSED WRITTEN PERMISSION OF SIGNCOMP.					
DRAWING BY:	SBreihof	9/24/2013	<b>SignComp</b>		
Centroid X:	0.000 in				
Centroid Y:	0.000 in				
Principal Moments Ix:	0.000 in <sup>4</sup>		Series 1, 3 1/4" Round Post - Slotting		
Principal Moments Iy:	0.000 in <sup>4</sup>				
Section Modulus Ix:	0.000 in <sup>3</sup>		PART NO	<b>1007</b>	REV
Section Modulus Iy:	0.000 in <sup>3</sup>		SHEET 1 OF 1		