




NEW PRODUCT UPDATE:

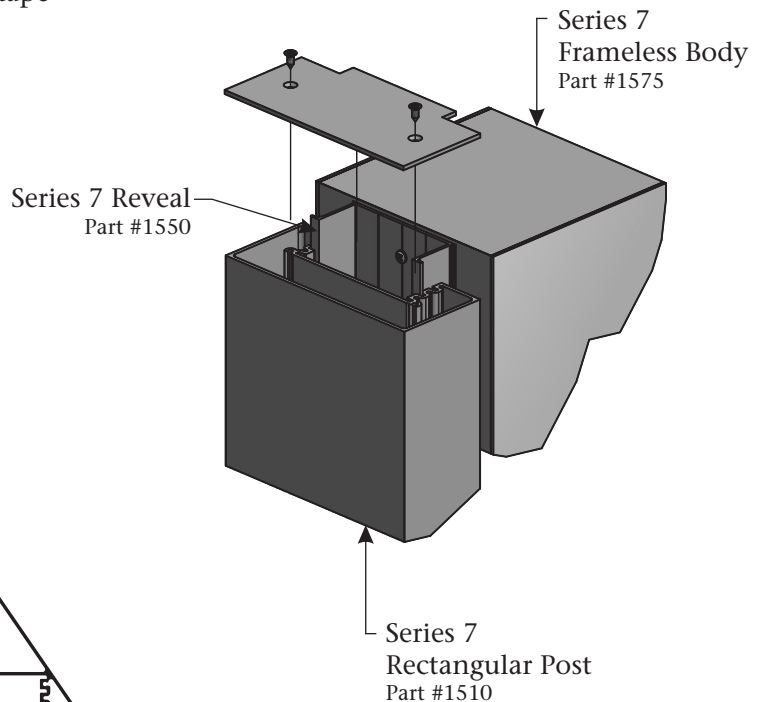
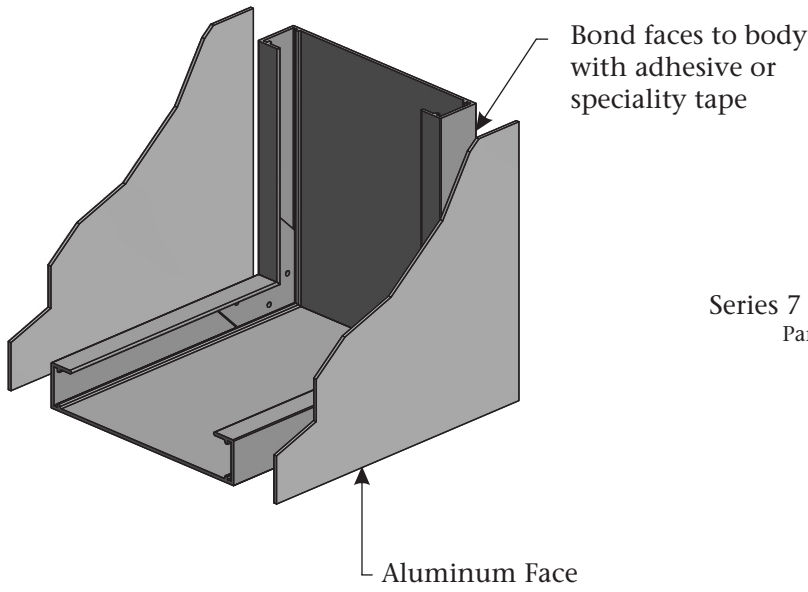
Series 7 Frameless Body

March 2013

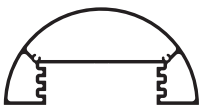
Part	Part Number	Length	Finish
 Series 7 Frameless Body	1575	24'4"	Mill

Features & Benefits

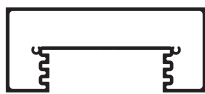
- Allows for a true frameless face appearance.
- Large bonding area for aluminum faces.
- Corner key slot provides ease of assembly and added structure.
- Great "C" channel for kerf cutting shapes.
- Series 7 Reveal can be attached to allow for 3 different post options.



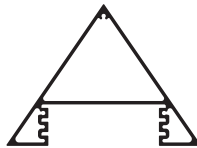
3 Post Options



Radius Post
Part #1500



Rectangular Post
Part #1510



Triangular Post
Part #1530