


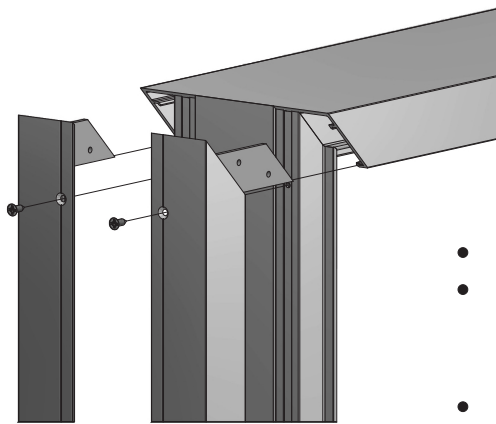
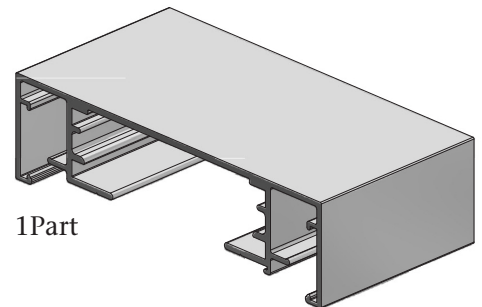
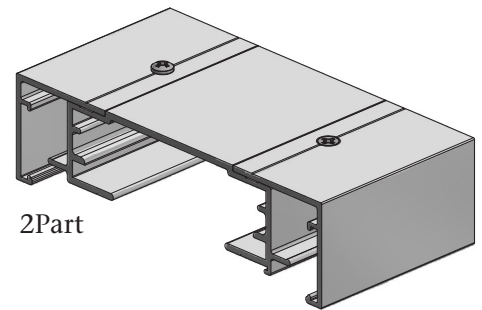
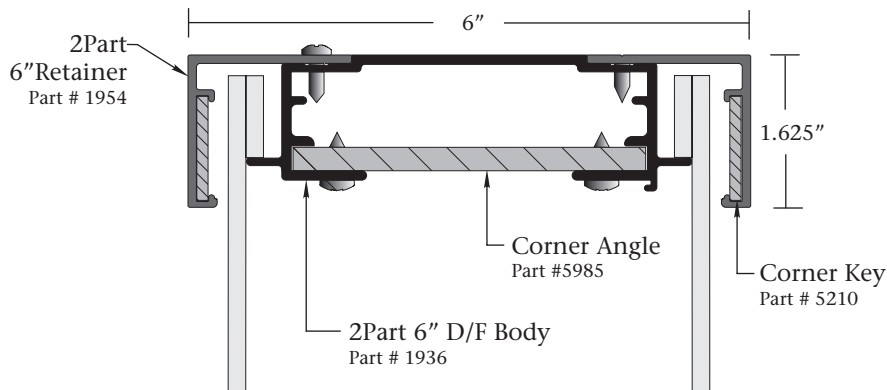




NEW PRODUCT UPDATE: 6" 1Part 2Part Double Face System

February 2013

	Part Number	Part	Length	Finish
	1931	1Part 6" D/F Body	24'-6"	Mill Finish
	1936	2Part 6" D/F Body	24'-6"	Mill Finish
	1954	2Part 6" Retainer	24'-6"	Mill Finish



Features & Benefits

- Retainer is thicker to allow for counter sunk fasteners.
- Recommended overage for lamping is 1" to remain consistent with the Commercial and EconoComp product lines.
- Ideal for LED applications.
- Does not require a body corner key.
- 2Part Body can be used with Standard Retainers (1940, 1955, and 1939) and both Vandal Systems.
- 3 methods of assembly: Welding, bonding, or mechanically fastening.