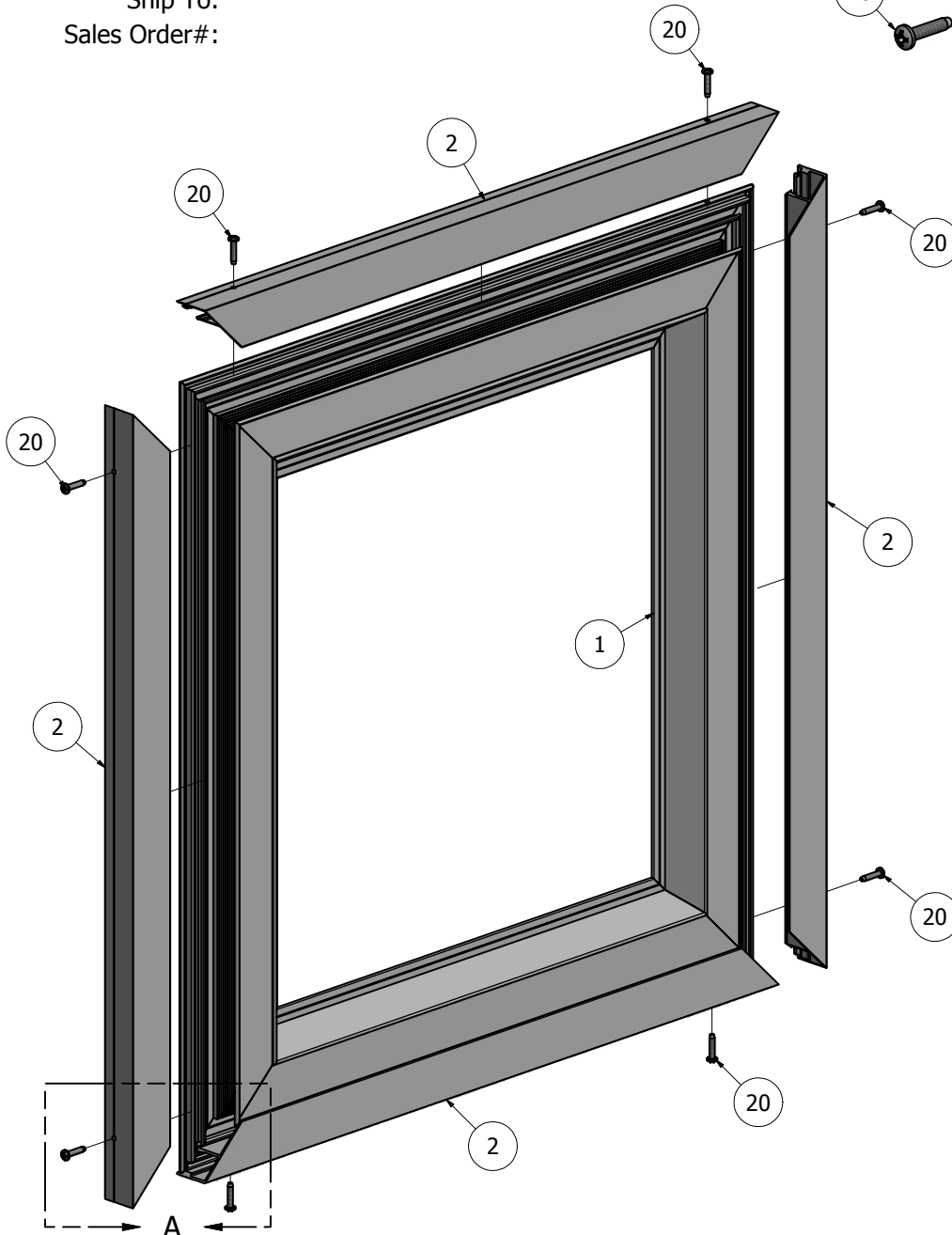
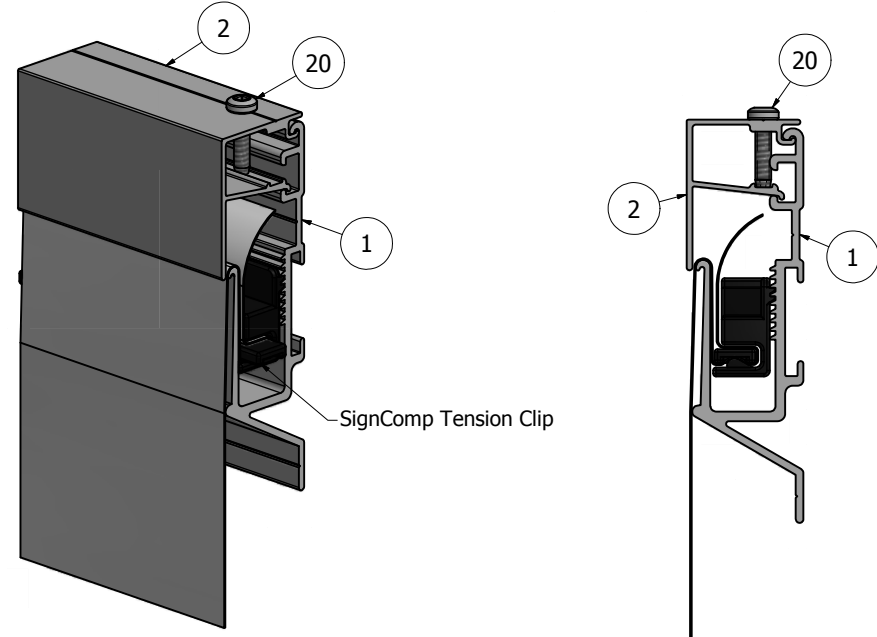


PARTS LIST			
ITEM	PART#	DESCRIPTION	NOTES
1	K2090	Wall Mount Tension Frame	Assembly
2	2088	WMTF Square Cover	
20	5215	WMTF Cover Screw	Pre-drill 1/8" hole

Ship To:
Sales Order#:



DETAIL A

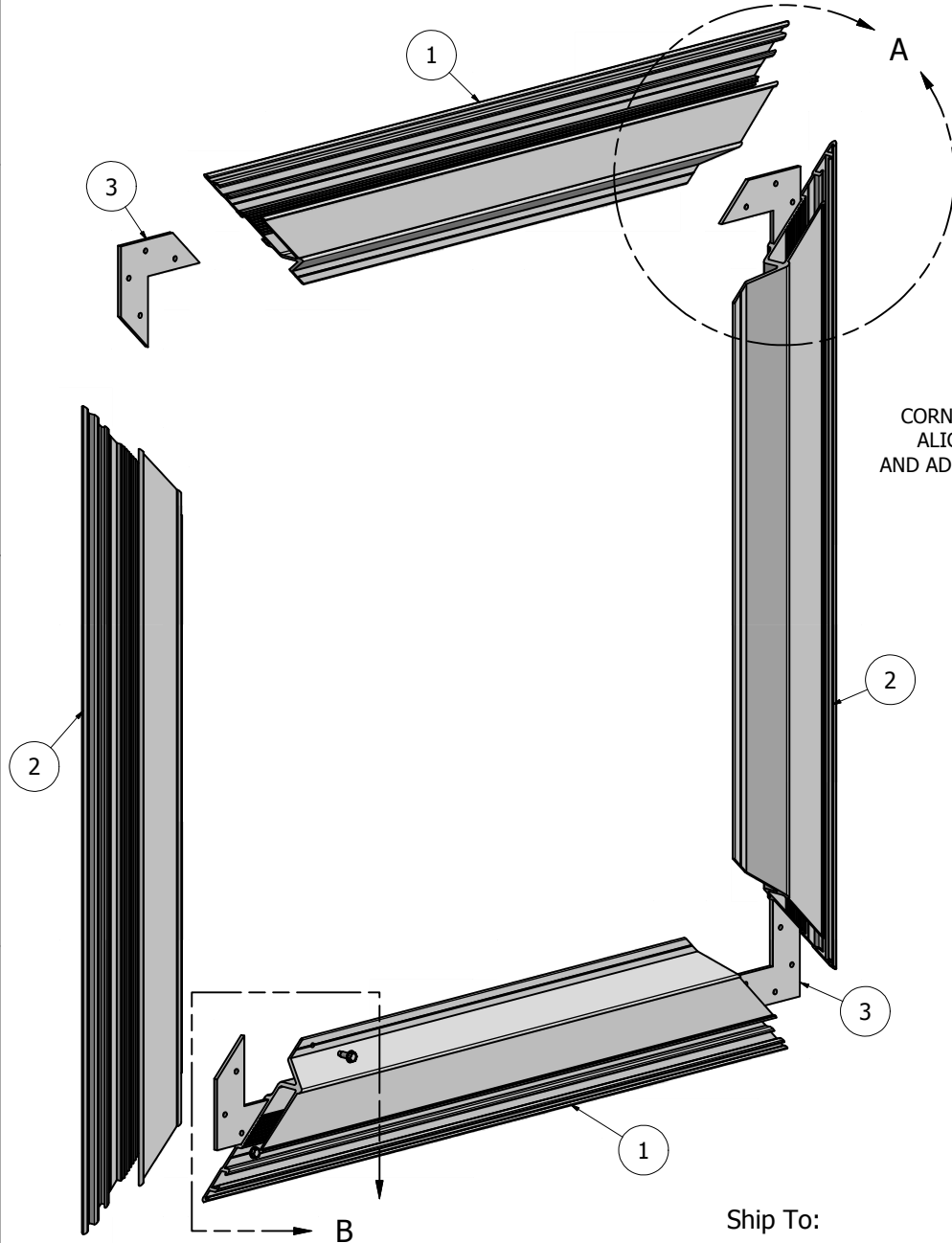


NOTE: PRE-CUT KITS ARE NOT PRE-DRILLED.
(Holes shown in this drawing are for reference only.
Drilling of pilot holes are to be done by fabricator.)

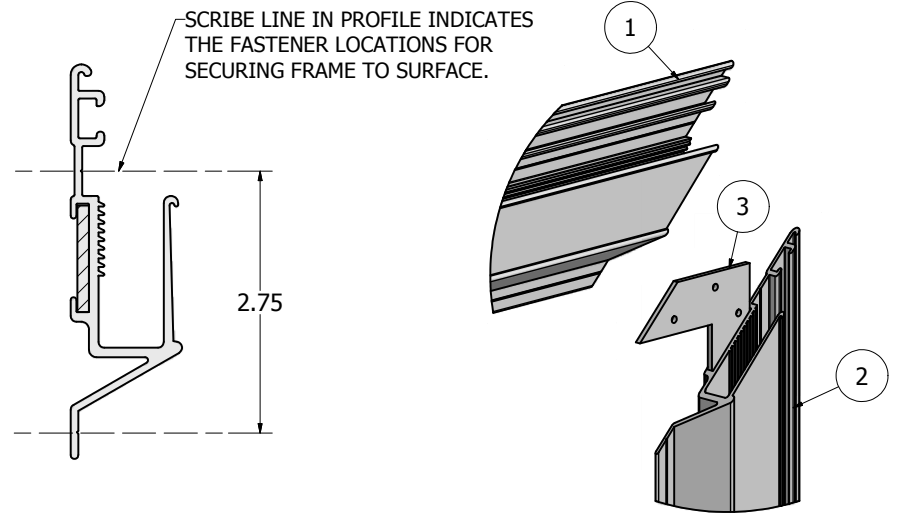
THIS DRAWING WAS CREATED AT NO CHARGE TO ASSIST YOU IN VISUALIZING OUR PROPOSAL. THE DRAWING HEREIN IS THE PROPERTY OF SIGNCOMP. PERMISSION TO COPY OR REVISE THIS DRAWING OR TO USE THIS DRAWING FOR PRODUCTION IS STRICTLY PROHIBITED AND CAN ONLY BE COPIED, REVISED OR USED FOR PRODUCTION WITH THE EXPRESSED WRITTEN PERMISSION OF SIGNCOMP.			<h1>SignComp</h1>	
DRAWN	SBreihof	5/15/2012		
	Centroid X:	0.000 in	TITLE	
	Centroid Y:	0.000 in	DWG NO	REV
	Principal Moments Ix:	0.000 in ⁴	K2090-88	
	Principal Moments Iy:	0.000 in ⁴		
	Section Modulus Ix:	0.000 in ³	SHEET 1 OF 1	
	Section Modulus Iy:	0.000 in ³		

Parts List			
ITEM	PART#	DESCRIPTION	NOTES
1	2090	Wall Mount Tension Frame	Top & Bottom Sides
2	2090	Wall Mount Tension Frame	Sides
3	5210 S	Corner Key	
4	By Other	Frame Fastener	

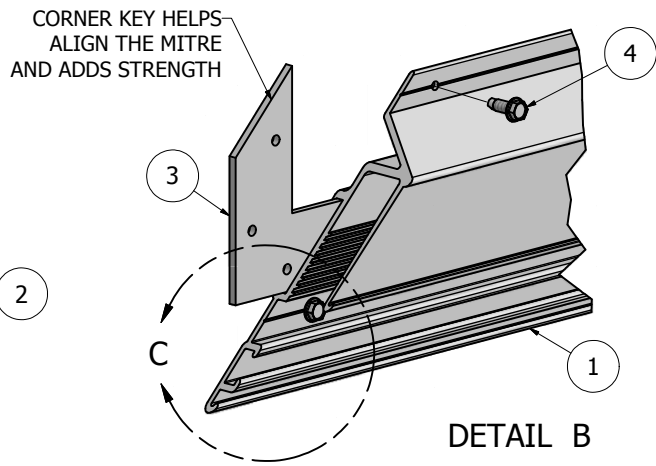
D
C
B
A



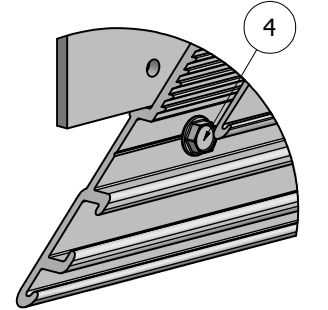
Ship To:
Order Number:



DETAIL A



DETAIL B



DETAIL C
FASTENER PLACEMENT

NOTE: PRE-CUT KITS ARE NOT PRE-DRILLED.
(Holes shown in this drawing are for reference only.
Drilling of pilot holes are to be done by fabricator.)

THIS DRAWING WAS CREATED AT NO CHARGE TO ASSIST YOU IN VISUALIZING OUR PROPOSAL. THE DRAWING HEREIN IS THE PROPERTY OF SIGNCOMP. PERMISSION TO COPY OR REVISE THIS DRAWING OR TO USE THIS DRAWING FOR PRODUCTION IS STRICTLY PROHIBITED AND CAN ONLY BE COPIED, REVISED OR USED FOR PRODUCTION WITH THE EXPRESSED WRITTEN PERMISSION OF SIGNCOMP.

DRAWN	Sarah	4/26/2012
Centroid X:	0.000 in	
Centroid Y:	0.000 in	
Principal Moments Ix:	0.000 in^4	
Principal Moments Iy:	0.000 in^4	
Section Modulus Ix:	0.000 in^3	
Section Modulus Iy:	0.000 in^3	

SignComp

Wall Mount Tension Frame - Assembly

DWG NO	K2090	REV
--------	--------------	-----

4 3 2 1