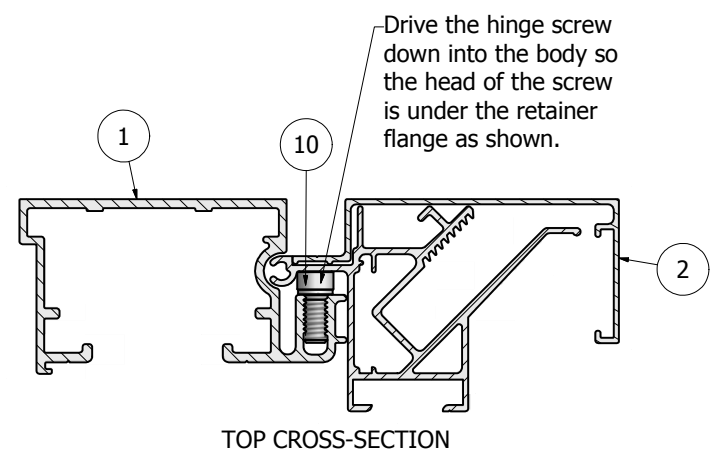
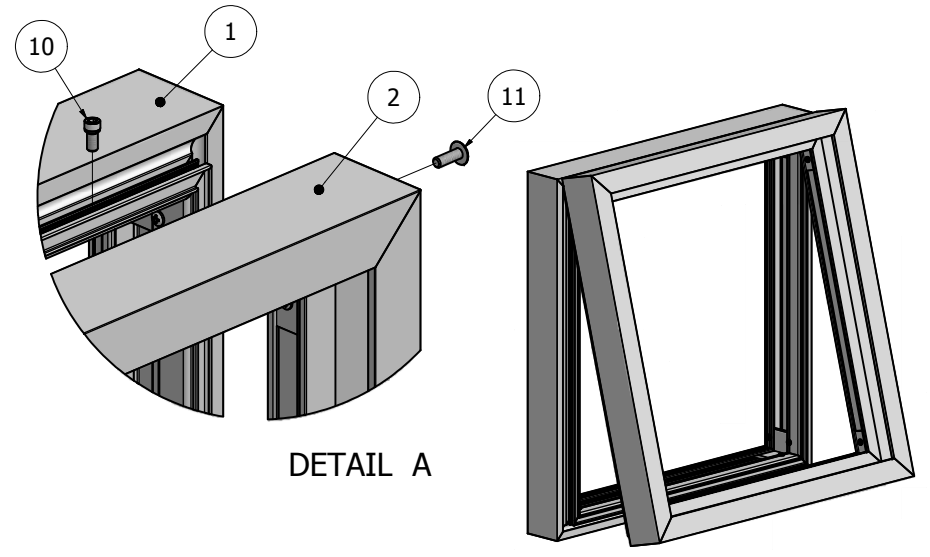
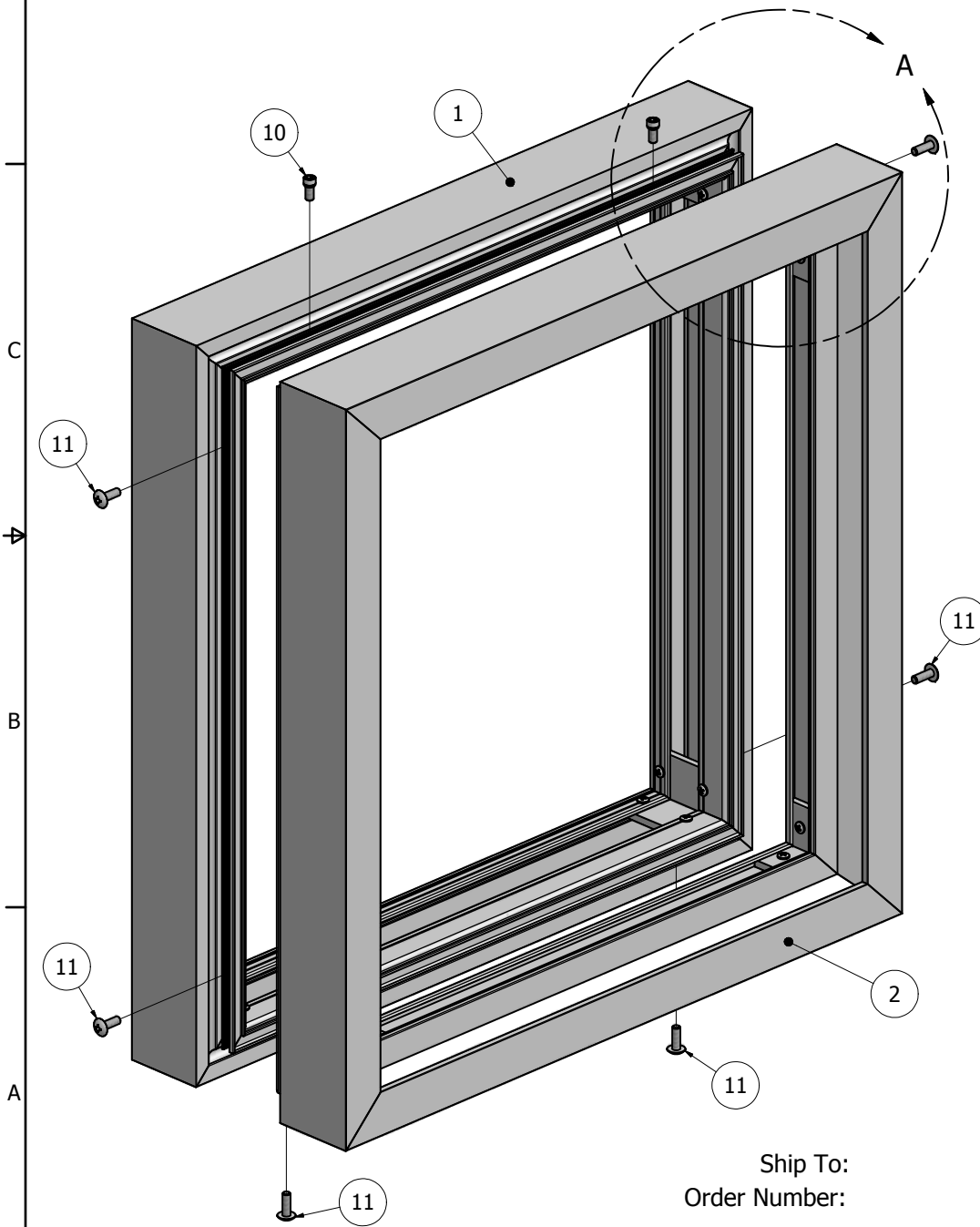


| Parts List | | | |
|------------|----------|--|------------------------|
| ITEM | PART# | DESCRIPTION | NOTES |
| 1 | K2021 | Narrow Single Face Body | Assembly |
| 2 | K2085/84 | Tension Frame and / 1-1/2" Frame Cover | Assembly |
| 10 | 5170 | Hinge Screw | Drill 3/8" pilot hole |
| 11 | 5180 | Closure Screw | Drill 5/16" pilot hole |



NOTE: PRE-CUT KITS ARE NOT PRE-DRILLED.
 (Holes shown in this drawing are for reference only.
 Drilling of pilot holes are to be done by fabricator.)

| | | | |
|---|-----------------------|----------|--|
| THIS DRAWING WAS CREATED AT NO CHARGE TO ASSIST YOU IN VISUALIZING OUR PROPOSAL. THE DRAWING HEREIN IS THE PROPERTY OF SIGNCOMP. PERMISSION TO COPY OR REVISE THIS DRAWING OR TO USE THIS DRAWING FOR PRODUCTION IS STRICTLY PROHIBITED AND CAN ONLY BE COPIED, REVISED OR USED FOR PRODUCTION WITH THE EXPRESSED WRITTEN PERMISSION OF SIGNCOMP. | | | SignComp |
| DRAWN | Sarah | 5/2/2012 | |
| Centroid X: | 0.000 in | | TITLE |
| Centroid Y: | 0.000 in | | Narrow Single Face Body w/ Tension Frame and 1-1/2" Frame Cover - Assembly |
| Principal Moments Ix: | 0.000 in ⁴ | | DWG NO |
| Principal Moments Iy: | 0.000 in ⁴ | | K2021-85-84 |
| Section Modulus Ix: | 0.000 in ³ | | REV |
| Section Modulus Iy: | 0.000 in ³ | | |

Ship To:
Order Number:

| Parts List | | | |
|------------|-------|--------------------------|------------------------|
| ITEM | PART# | DESCRIPTION | NOTES |
| 1 | 2021 | Narrow Single Face Body | Top & Bottom |
| 2 | 2021 | Narrow Single Face Body | Sides |
| 3 | 5321 | Narrow Body Corner Angle | |
| 13 | 5218 | Corner Angle Screw | Drill 5/32" pilot hole |

Ship To:

Order Number:

D

C

B

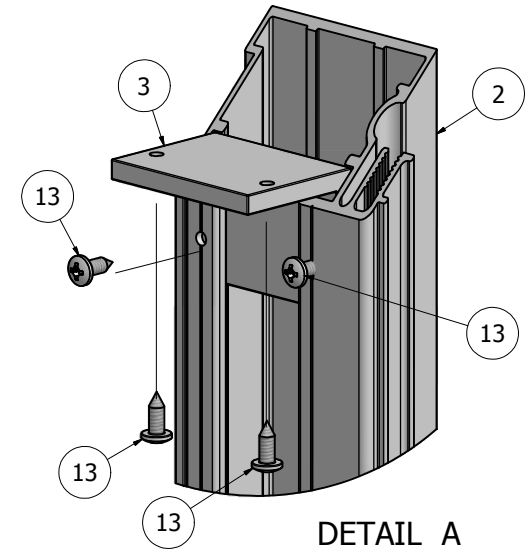
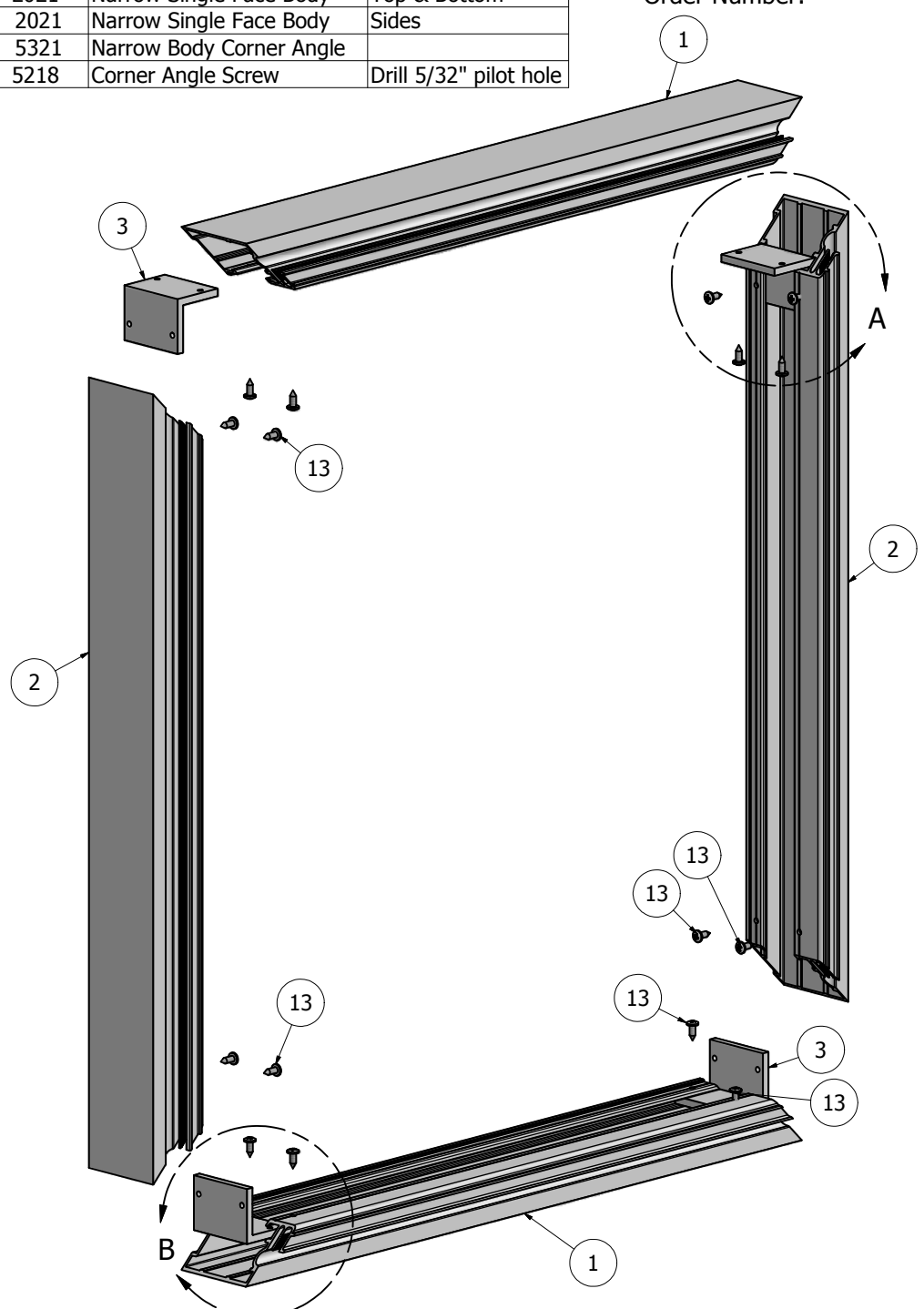
A

4

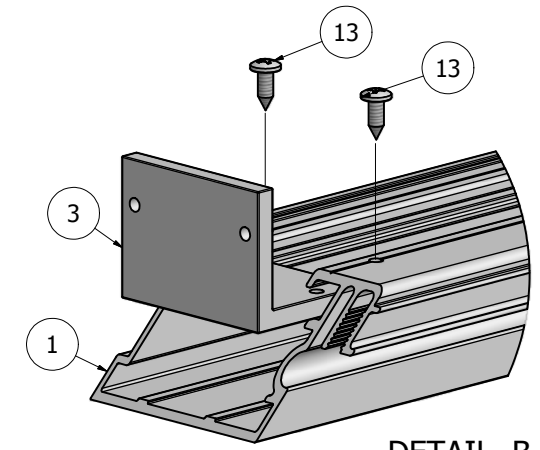
3

2

1



DETAIL A



DETAIL B

NOTE: PRE-CUT KITS ARE NOT PRE-DRILLED.
 (Holes shown in this drawing are for reference only.
 Drilling of pilot holes are to be done by fabricator.)

| | | | | | |
|---|-----------------------|-----------------------|-------------------|--------------|-------|
| THIS DRAWING WAS CREATED AT NO CHARGE TO ASSIST YOU IN VISUALIZING OUR PROPOSAL. THE DRAWING HEREIN IS THE PROPERTY OF SIGNCOMP. PERMISSION TO COPY OR REVISE THIS DRAWING OR TO USE THIS DRAWING FOR PRODUCTION IS STRICTLY PROHIBITED AND CAN ONLY BE COPIED, REVISED OR USED FOR PRODUCTION WITH THE EXPRESSED WRITTEN PERMISSION OF SIGNCOMP. | | | <h1>SignComp</h1> | | |
| DRAWN | Sarah | 4/30/2012 | | | TITLE |
| | Centroid X: | 0.000 in | | | |
| | Centroid Y: | 0.000 in | | | |
| | Principal Moments Ix: | 0.000 in ⁴ | | | |
| | Principal Moments Iy: | 0.000 in ⁴ | | | |
| | Section Modulus Ix: | 0.000 in ³ | DWG NO | K2021 | |
| | Section Modulus Iy: | 0.000 in ³ | | REV | |
| | | | | SHEET 1 OF 1 | |

D

C

B

A

4

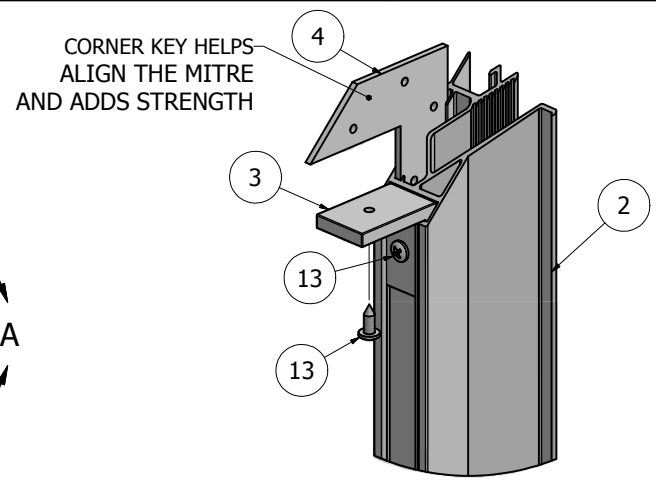
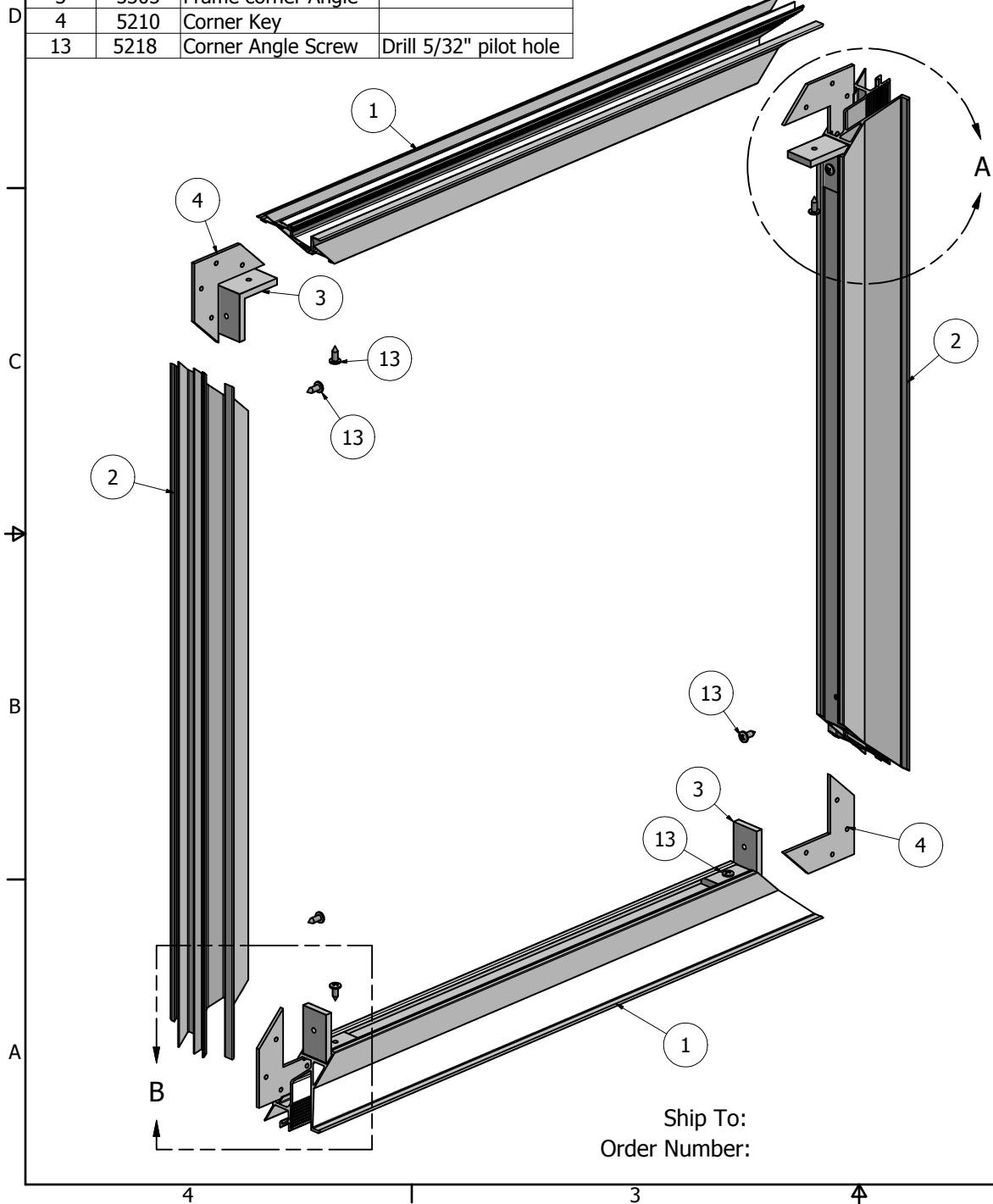
3

4

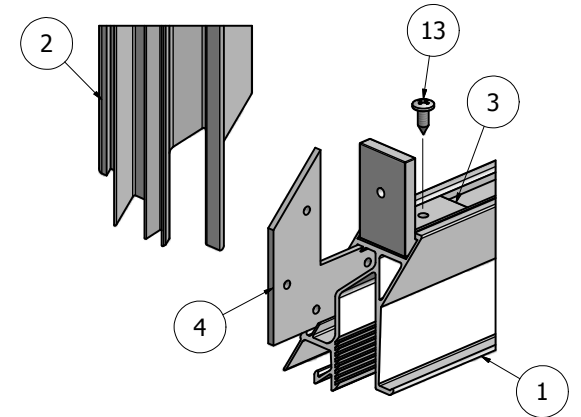
2

1

| Parts List | | | |
|------------|-------|--------------------|------------------------|
| ITEM | PART# | DESCRIPTION | NOTES |
| 1 | 2085 | Tension Frame | Top & Bottom |
| 2 | 2085 | Tension Frame | Sides |
| 3 | 5305 | Frame corner Angle | |
| 4 | 5210 | Corner Key | |
| 13 | 5218 | Corner Angle Screw | Drill 5/32" pilot hole |



DETAIL A



DETAIL B

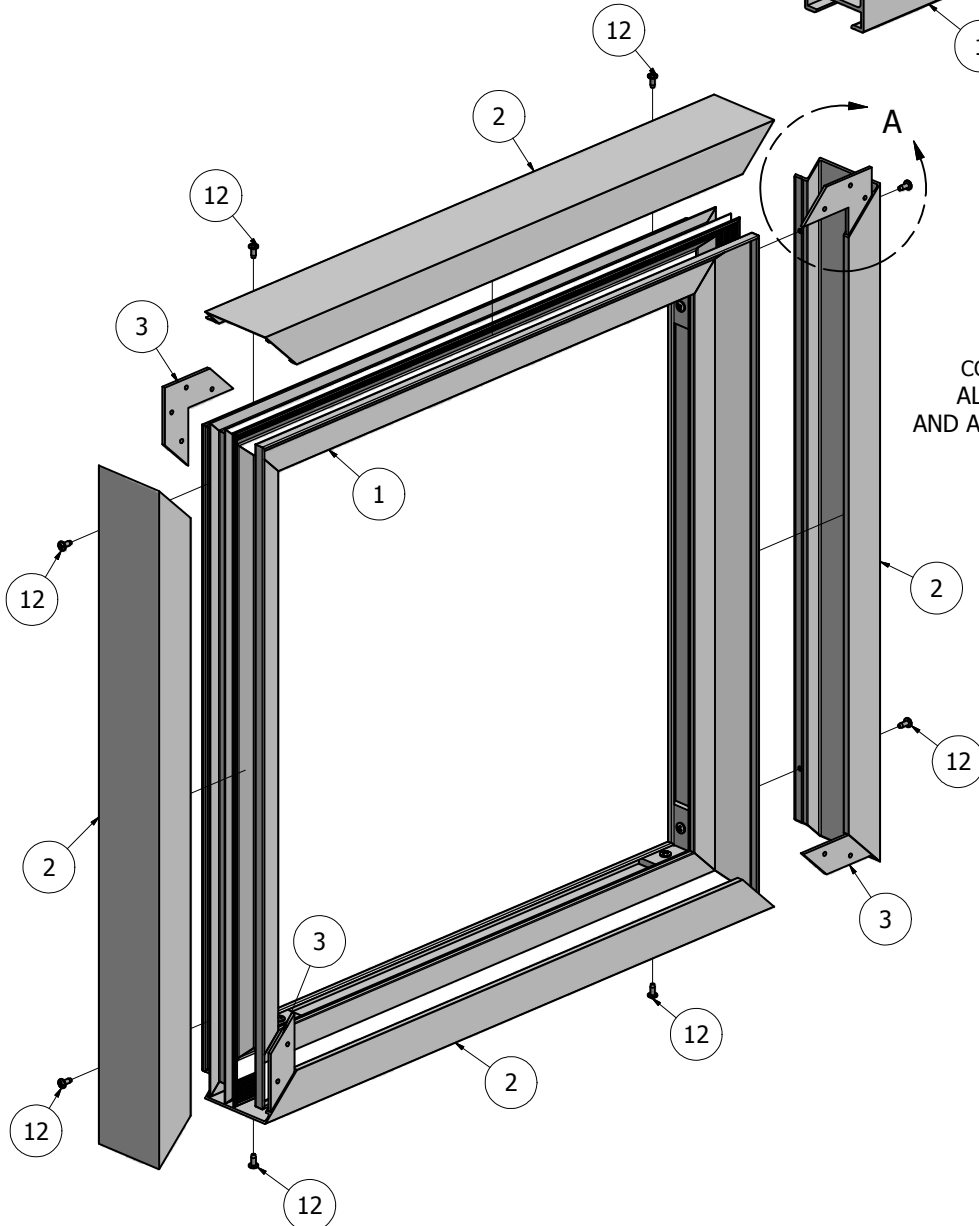
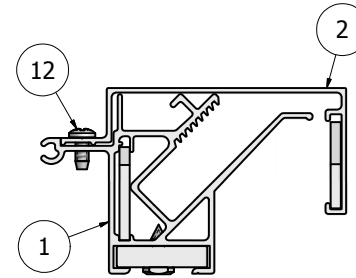
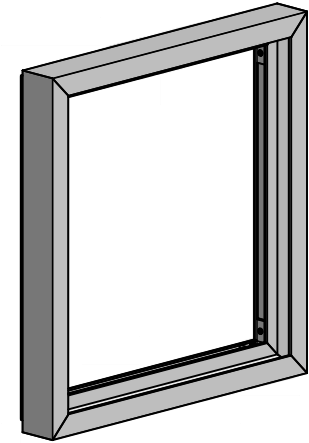
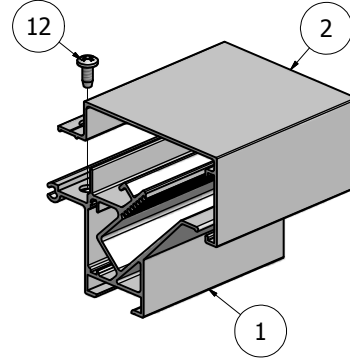
NOTE: PRE-CUT KITS ARE NOT PRE-DRILLED.
 (Holes shown in this drawing are for reference only.
 Drilling of pilot holes are to be done by fabricator.)

| | | |
|---|-----------------------|--------------------------------|
| THIS DRAWING WAS CREATED AT NO CHARGE TO ASSIST YOU IN VISUALIZING OUR PROPOSAL. THE DRAWING HEREIN IS THE PROPERTY OF SIGNCOMP. PERMISSION TO COPY OR REVISE THIS DRAWING OR TO USE THIS DRAWING FOR PRODUCTION IS STRICTLY PROHIBITED AND CAN ONLY BE COPIED, REVISED OR USED FOR PRODUCTION WITH THE EXPRESSED WRITTEN PERMISSION OF SIGNCOMP. | | |
| DRAWN | Sarah | 3/6/2012 |
| Centroid X: | 0.000 in | |
| Centroid Y: | 0.000 in | |
| Principal Moments Ix: | 0.000 in ⁴ | |
| Principal Moments Iy: | 0.000 in ⁴ | |
| Section Modulus Ix: | 0.000 in ³ | |
| Section Modulus Iy: | 0.000 in ³ | |
| <h1 style="text-align: center;">SignComp</h1> | | TITLE |
| | | Bleed Tension Frame - Assembly |
| DWG NO | | REV |
| K2085 | | |
| SHEET 1 OF 1 | | |

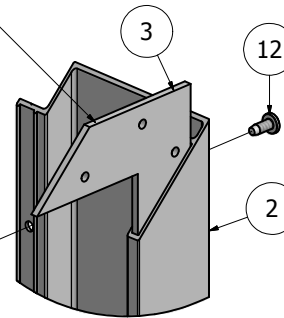
Ship To:
Order Number:

| Parts List | | | |
|------------|-------|----------------------------|----------------------|
| ITEM | PART# | DESCRIPTION | NOTES |
| 1 | K2085 | Tension Frame | Assembly |
| 2 | K2084 | 1-1/2" Tension Frame Cover | Assembly |
| 3 | 5210 | Corner Key | |
| 12 | 5195 | Cover Screw | Pre-drill 3/32" hole |

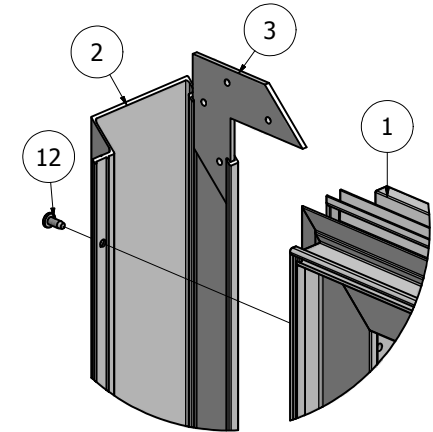
Ship To:
Order Number:



CORNER KEY HELPS
ALIGN THE MITRE
AND ADDS STRENGTH



DETAIL A
FRONT VIEW



DETAIL A
BACK VIEW

NOTE: PRE-CUT KITS ARE NOT PRE-DRILLED.
(Holes shown in this drawing are for reference only.
Drilling of pilot holes are to be done by fabricator.)

THIS DRAWING WAS CREATED AT NO CHARGE TO ASSIST YOU IN VISUALIZING OUR PROPOSAL. THE DRAWING HEREIN IS THE PROPERTY OF SIGNCOMP. PERMISSION TO COPY OR REVISE THIS DRAWING OR TO USE THIS DRAWING FOR PRODUCTION IS STRICTLY PROHIBITED AND CAN ONLY BE COPIED, REVISED OR USED FOR PRODUCTION WITH THE EXPRESSED WRITTEN PERMISSION OF SIGNCOMP.

| | | |
|-----------------------|-----------------------|-----------|
| DRAWN | Sarah | 3/12/2012 |
| Centroid X: | 0.000 in | |
| Centroid Y: | 0.000 in | |
| Principal Moments Ix: | 0.000 in ⁴ | |
| Principal Moments Iy: | 0.000 in ⁴ | |
| Section Modulus Ix: | 0.000 in ³ | |
| Section Modulus Iy: | 0.000 in ³ | |

SignComp

TENSION
TITLE
Tension Frame and 1-1/2" Tension Frame
Cover - Assembly

DWG NO

K2085-84

REV