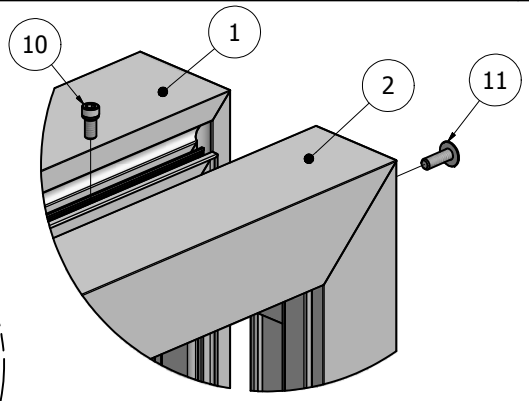
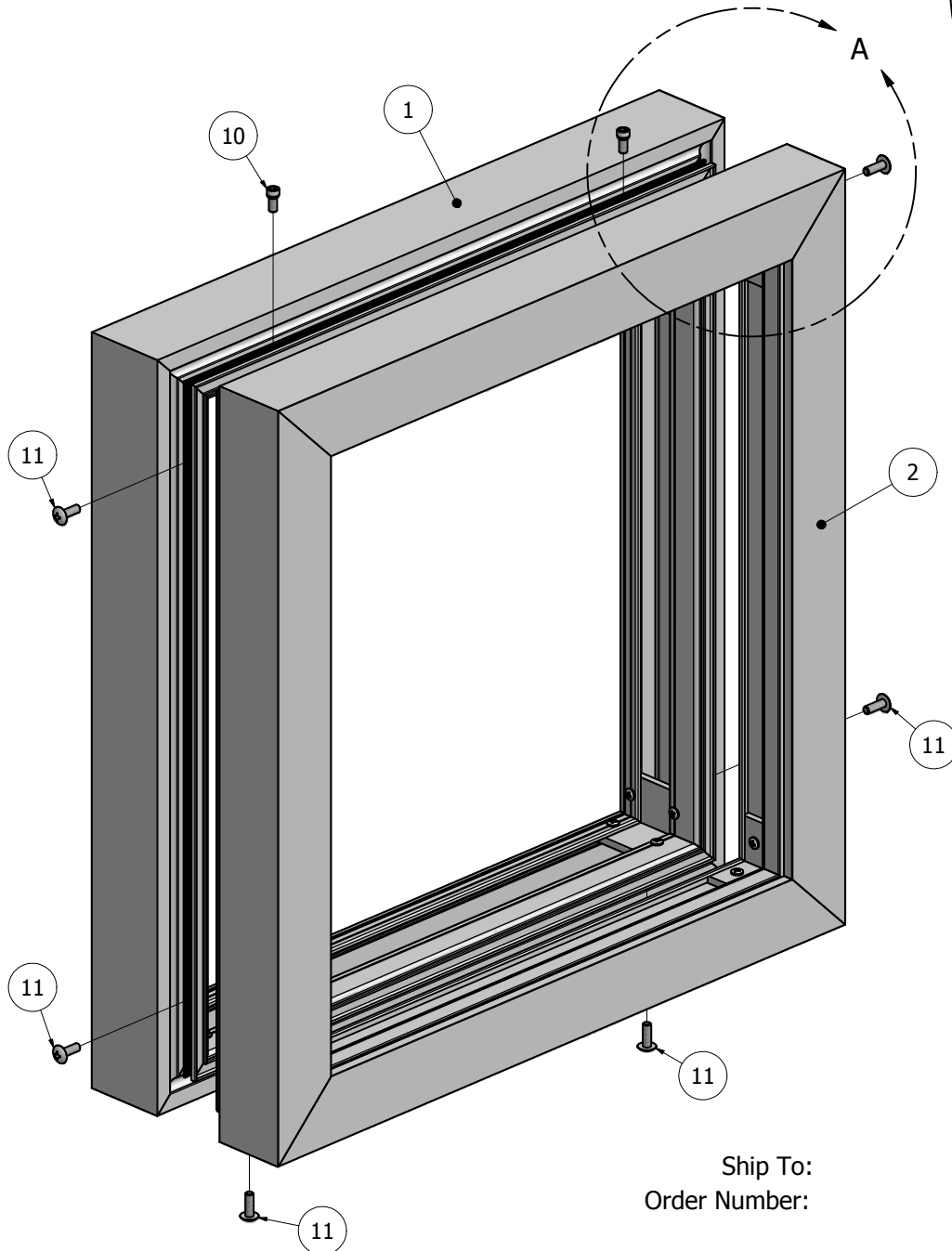
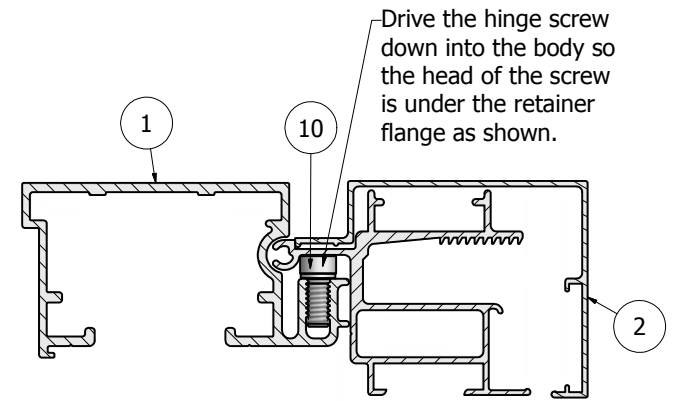
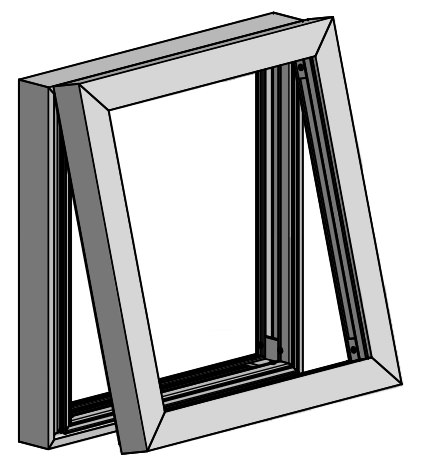


Parts List			
ITEM	PART#	DESCRIPTION	NOTES
1	K2021	Narrow Single Face Body	Assembly
2	K2065/75	2-1/4" Dual Frame and Cover	Assembly
10	5170	Hinge Screw	Drill 3/8" pilot hole
11	5180	Closure Screw	Drill 5/16" pilot hole

D
C
B
A



DETAIL A



TOP CROSS-SECTION

Drive the hinge screw down into the body so the head of the screw is under the retainer flange as shown.

NOTE: PRE-CUT KITS ARE NOT PRE-DRILLED.
(Holes shown in this drawing are for reference only. Drilling of pilot holes are to be done by fabricator.)

THIS DRAWING WAS CREATED AT NO CHARGE TO ASSIST YOU IN VISUALIZING OUR PROPOSAL. THE DRAWING HEREIN IS THE PROPERTY OF SIGNCOMP. PERMISSION TO COPY OR REVISE THIS DRAWING OR TO USE THIS DRAWING FOR PRODUCTION IS STRICTLY PROHIBITED AND CAN ONLY BE COPIED, REVISED OR USED FOR PRODUCTION WITH THE EXPRESSED WRITTEN PERMISSION OF SIGNCOMP.

DRAWN	Sarah	5/1/2012	SignComp
Centroid X:	0.000 in		
Centroid Y:	0.000 in		Narrow Single Face Body w/ Dual Frame and Cover - Assembly
Principal Moments Ix:	0.000 in ⁴		
Principal Moments Iy:	0.000 in ⁴		
Section Modulus Ix:	0.000 in ³		DWG NO
Section Modulus Iy:	0.000 in ³		K2021-65
			REV

Ship To:
Order Number:

Parts List			
ITEM	PART#	DESCRIPTION	NOTES
1	2021	Narrow Single Face Body	Top & Bottom
2	2021	Narrow Single Face Body	Sides
3	5321	Narrow Body Corner Angle	
13	5218	Corner Angle Screw	Drill 5/32" pilot hole

Ship To:

Order Number:

D

C

B

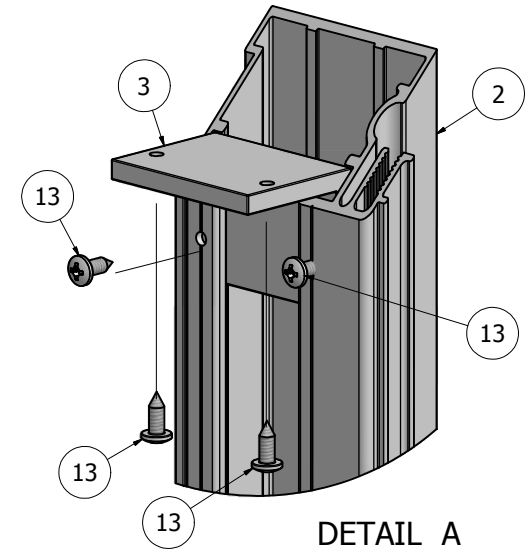
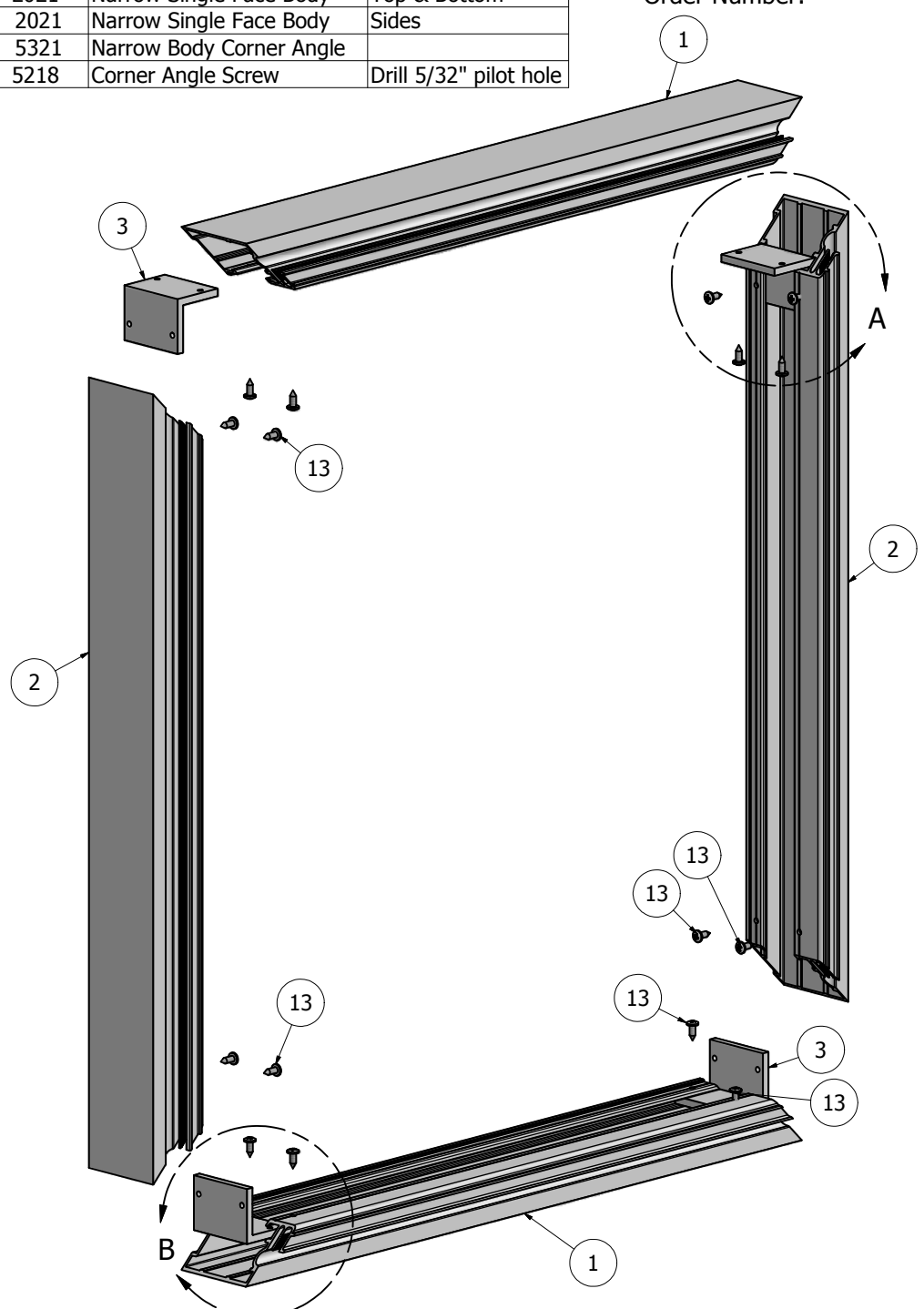
A

4

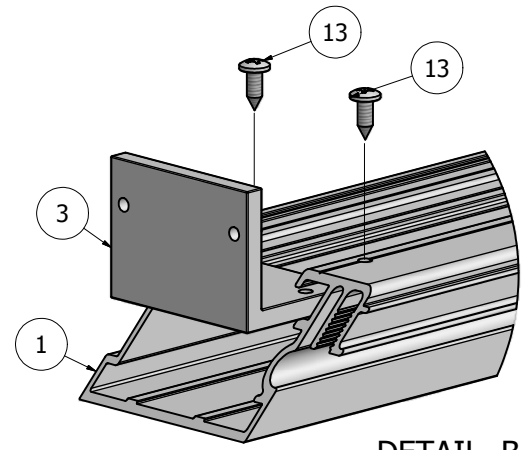
3

2

1



DETAIL A



DETAIL B

NOTE: PRE-CUT KITS ARE NOT PRE-DRILLED.
 (Holes shown in this drawing are for reference only.
 Drilling of pilot holes are to be done by fabricator.)

THIS DRAWING WAS CREATED AT NO CHARGE TO ASSIST YOU IN VISUALIZING OUR PROPOSAL. THE DRAWING HEREIN IS THE PROPERTY OF SIGNCOMP. PERMISSION TO COPY OR REVISE THIS DRAWING OR TO USE THIS DRAWING FOR PRODUCTION IS STRICTLY PROHIBITED AND CAN ONLY BE COPIED, REVISED OR USED FOR PRODUCTION WITH THE EXPRESSED WRITTEN PERMISSION OF SIGNCOMP.			<h1>SignComp</h1>	
DRAWN	Sarah	4/30/2012		
	Centroid X:	0.000 in	Narrow Single Face Body - Assembly	
	Centroid Y:	0.000 in		
	Principal Moments Ix:	0.000 in ⁴	DWG NO	REV
	Principal Moments Iy:	0.000 in ⁴	K2021	
	Section Modulus Ix:	0.000 in ³	SHEET 1 OF 1	
	Section Modulus Iy:	0.000 in ³		

D

C

B

A

4

3

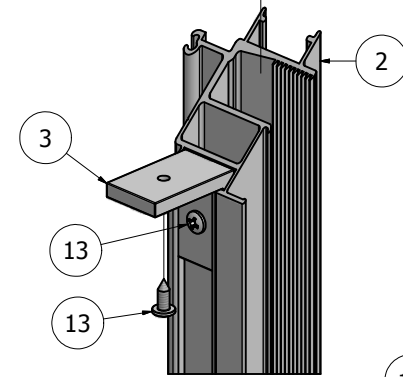
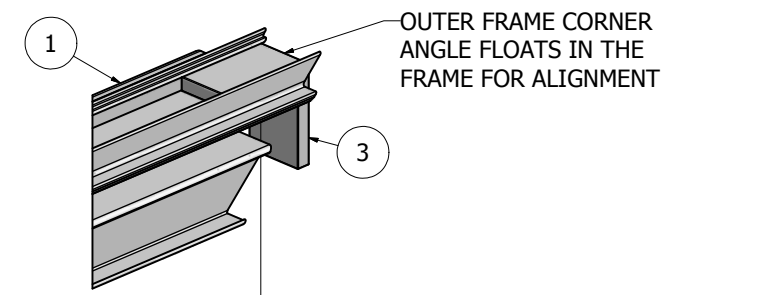
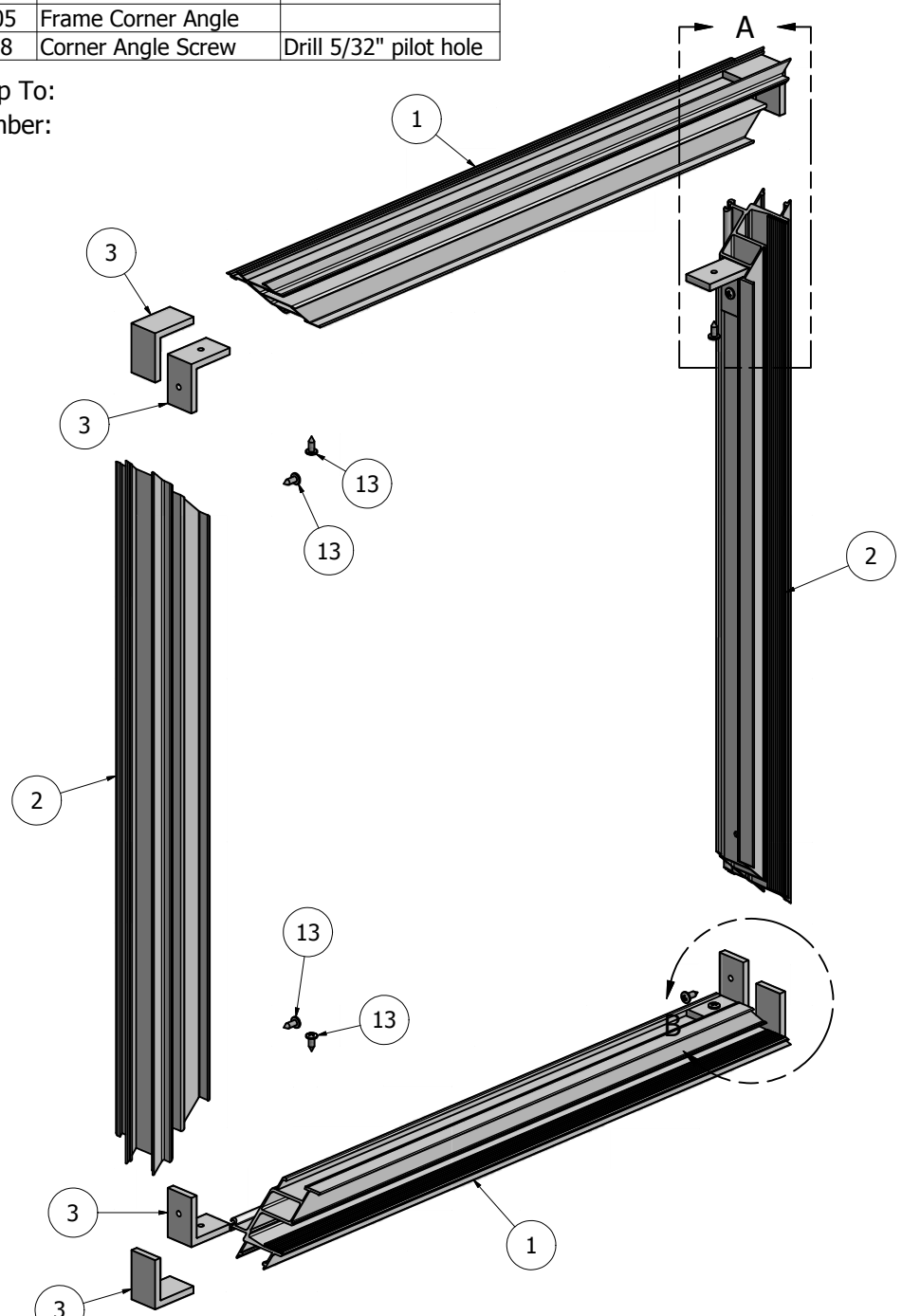
4

2

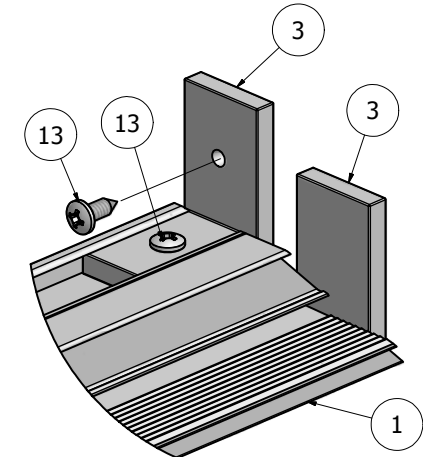
1

Parts List			
ITEM	PART#	DESCRIPTION	NOTES
1	2065	Dual Frame	Top & Bottom
2	2065	Dual Frame	Sides
3	5305	Frame Corner Angle	
13	5218	Corner Angle Screw	Drill 5/32" pilot hole

Ship To:
Order Number:



DETAIL A



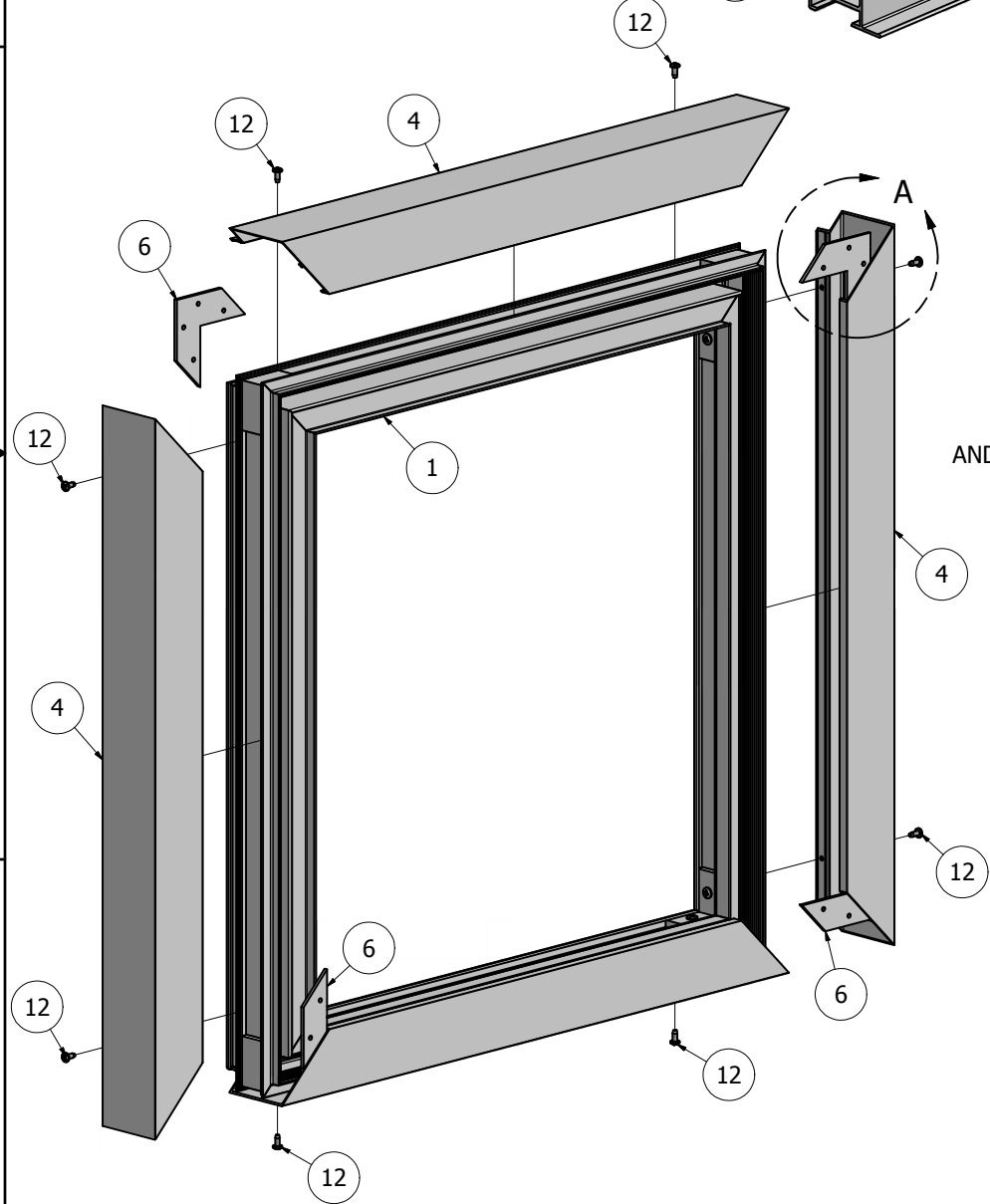
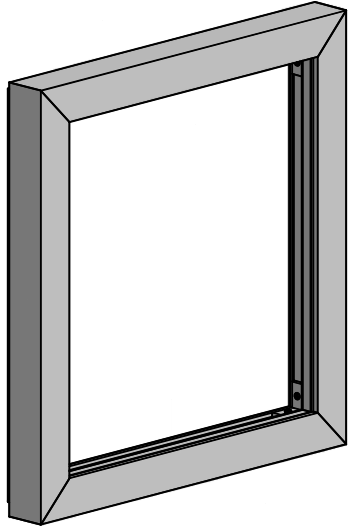
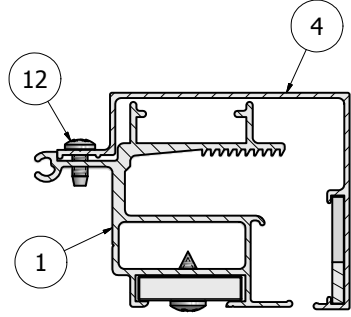
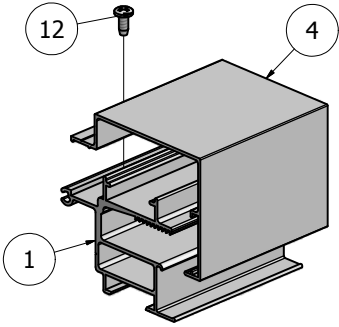
DETAIL B

NOTE: PRE-CUT KITS ARE NOT PRE-DRILLED.
(Holes shown in this drawing are for reference only.
Drilling of pilot holes are to be done by fabricator.)

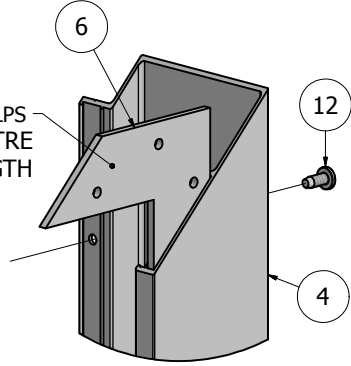
THIS DRAWING WAS CREATED AT NO CHARGE TO ASSIST YOU IN VISUALIZING OUR PROPOSAL. THE DRAWING HEREIN IS THE PROPERTY OF SIGNCOMP. PERMISSION TO COPY OR REVISE THIS DRAWING OR TO USE THIS DRAWING FOR PRODUCTION IS STRICTLY PROHIBITED AND CAN ONLY BE COPIED, REVISED OR USED FOR PRODUCTION WITH THE EXPRESSED WRITTEN PERMISSION OF SIGNCOMP.			
DRAWN	Sarah 3/6/2012	SignComp	
Centroid X:	0.000 in		
Centroid Y:	0.000 in	Dual Frame - Assembly	
Principal Moments Ix:	0.000 in ⁴		
Principal Moments Iy:	0.000 in ⁴	DWG NO	REV
Section Modulus Ix:	0.000 in ³	K2065	
Section Modulus Iy:	0.000 in ³	SHEET 1 OF 1	

Parts List		
ITEM	PART#	DESCRIPTION
1	2065	Dual Frame Assembly
4	2075	2-1/4" Dual Frame Cover Assembly
6	5210	Corner Key
12	5195	Cover Screw

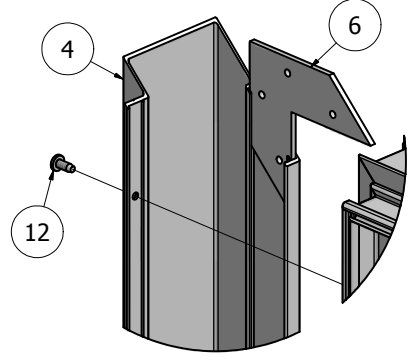
Ship To:
Order Number:



CORNER KEY HELPS
ALIGN THE MITRE
AND ADDS STRENGTH



DETAIL A
FRONT VIEW



DETAIL A
BACK VIEW

NOTE: PRE-CUT KITS ARE NOT PRE-DRILLED.
(Holes shown in this drawing are for reference only.
Drilling of pilot holes are to be done by fabricator.)

THIS DRAWING WAS CREATED AT NO CHARGE TO ASSIST YOU IN VISUALIZING OUR PROPOSAL. THE DRAWING HEREIN IS THE PROPERTY OF SIGNCOMP. PERMISSION TO COPY OR REVISE THIS DRAWING OR TO USE THIS DRAWING FOR PRODUCTION IS STRICTLY PROHIBITED AND CAN ONLY BE COPIED, REVISED OR USED FOR PRODUCTION WITH THE EXPRESSED WRITTEN PERMISSION OF SIGNCOMP.

DRAWN	Sarah	3/7/2012	SignComp
Centroid X:	0.000 in		
Centroid Y:	0.000 in		TITLE
Principal Moments Ix:	0.000 in ⁴		Dual Frame and Dual Frame Cover - Assembly
Principal Moments Iy:	0.000 in ⁴		DWG NO
Section Modulus Ix:	0.000 in ³		K2065-75
Section Modulus Iy:	0.000 in ³		REV