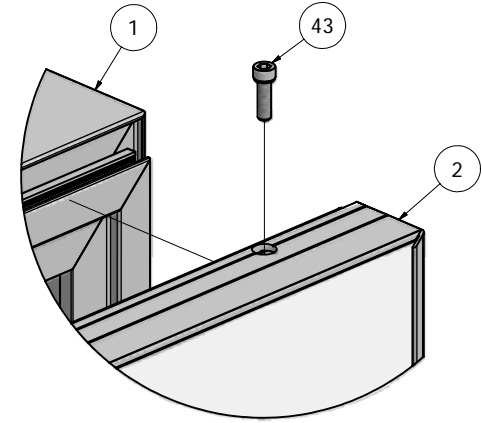
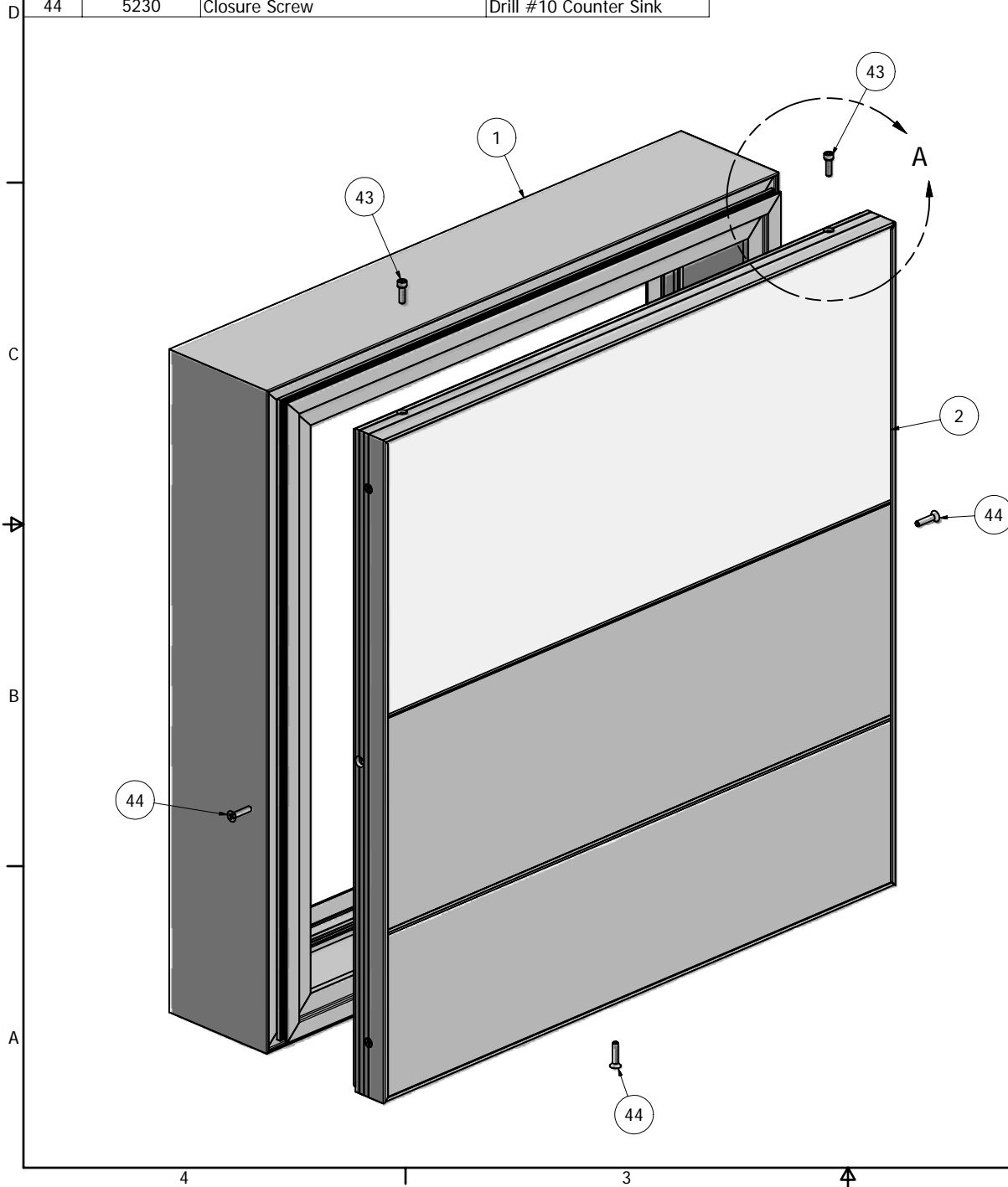


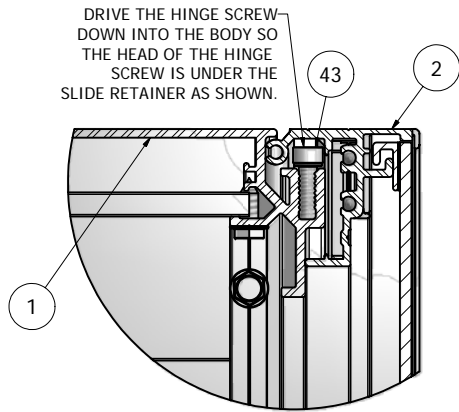
Parts List			
ITEM	PART#	DESCRIPTION	NOTES
1	K1602	Series 7 Single Face Hinge Body	Assembly
2	K1666/90/98	Insert Retainer System	Assembly
43	5280	Hinge Screw	Drill 1 1/32" Pilot Hole
44	5230	Closure Screw	Drill #10 Counter Sink

Ship To:

Order #:



DETAIL A



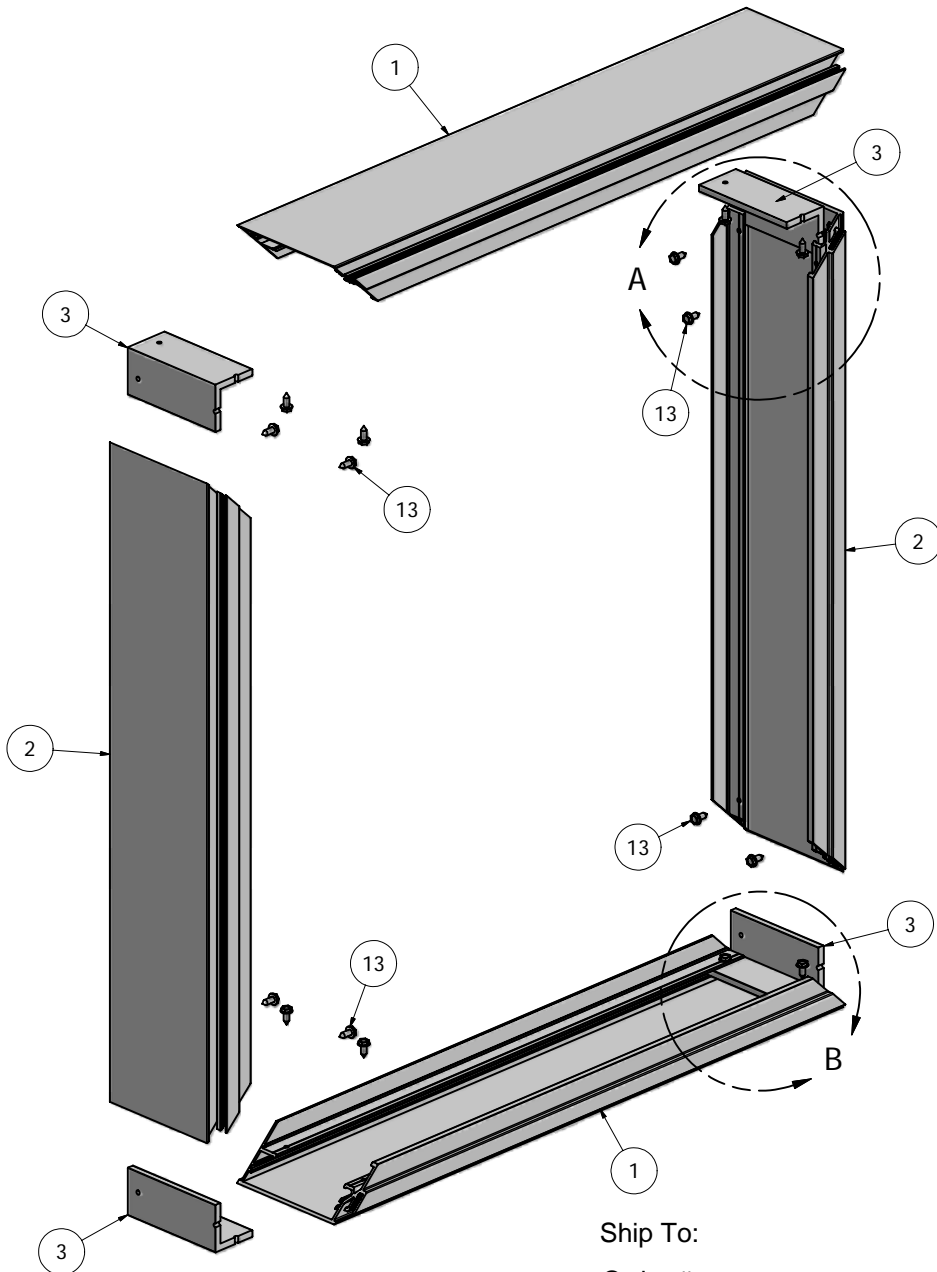
NOTE: PRE-CUT KITS ARE NOT PRE-DRILLED.

(Holes shown in this drawing are for reference only.
Drilling of pilot holes are to be done by fabricator.)

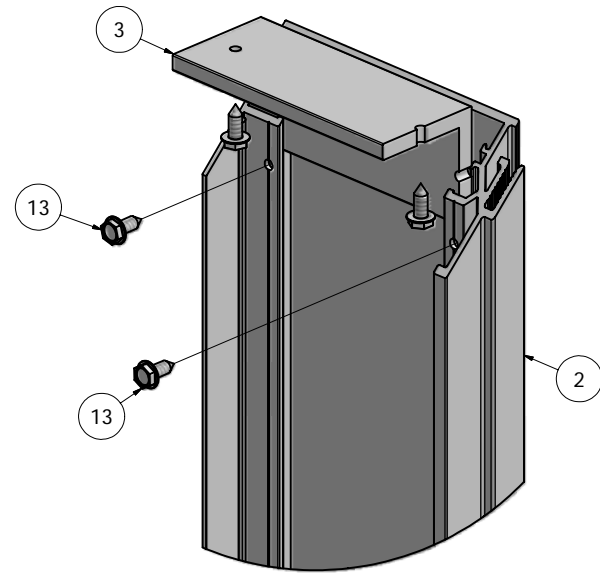
THIS DRAWING WAS CREATED AT NO CHARGE TO ASSIST YOU IN VISUALIZING OUR PROPOSAL. THE DRAWING HEREIN IS THE PROPERTY OF SIGNCOMP. PERMISSION TO COPY OR REVISE THIS DRAWING OR TO USE THIS DRAWING FOR PRODUCTION IS STRICTLY PROHIBITED AND CAN ONLY BE COPIED, REVISED OR USED FOR PRODUCTION WITH THE EXPRESSED WRITTEN PERMISSION OF SIGNCOMP.

DRAWN	Steve	12/23/2008	SignComp		
CHECKED					
QA			TITLE		
MFG			Series 7 Single Face Hinge Body - Insert Panel - Assembly		
APPROVED			SIZE	DWG NO	REV
			C	K1602/66/90/98/Inserts	
			SCALE	SHEET 1 OF 1	

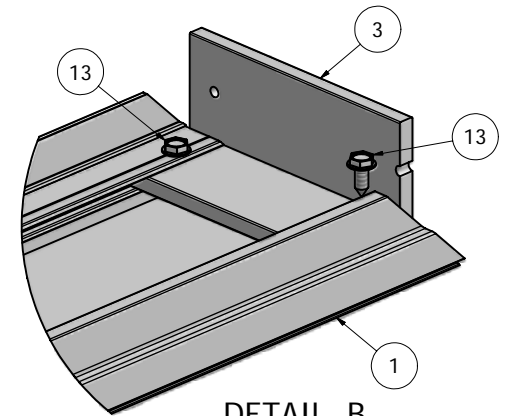
Parts List			
ITEM	PART #	DESCRIPTION	NOTES
1	1602	Series 7 Single Face Hinge Body	Top & Bottom
2	1602	Series 7 Single Face Hinge Body	Sides
3	5346	Series 7 Single Face Hinge Body Corner Angle	
13	5218	Corner Angle Screw	Drill 5/32" Pilot Hole



Ship To:
Order #:



DETAIL A



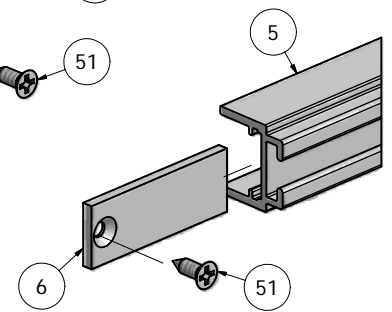
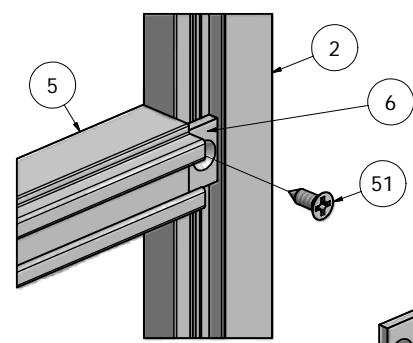
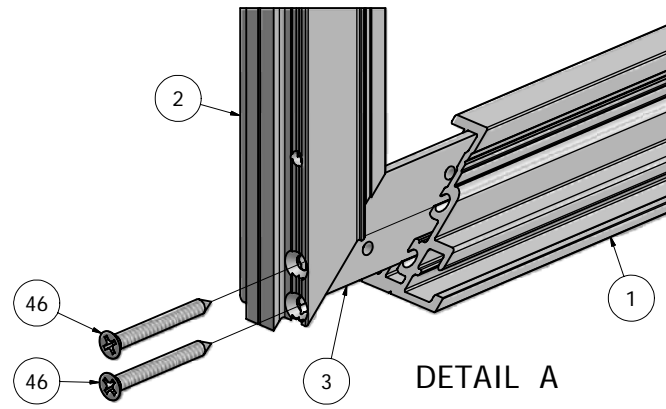
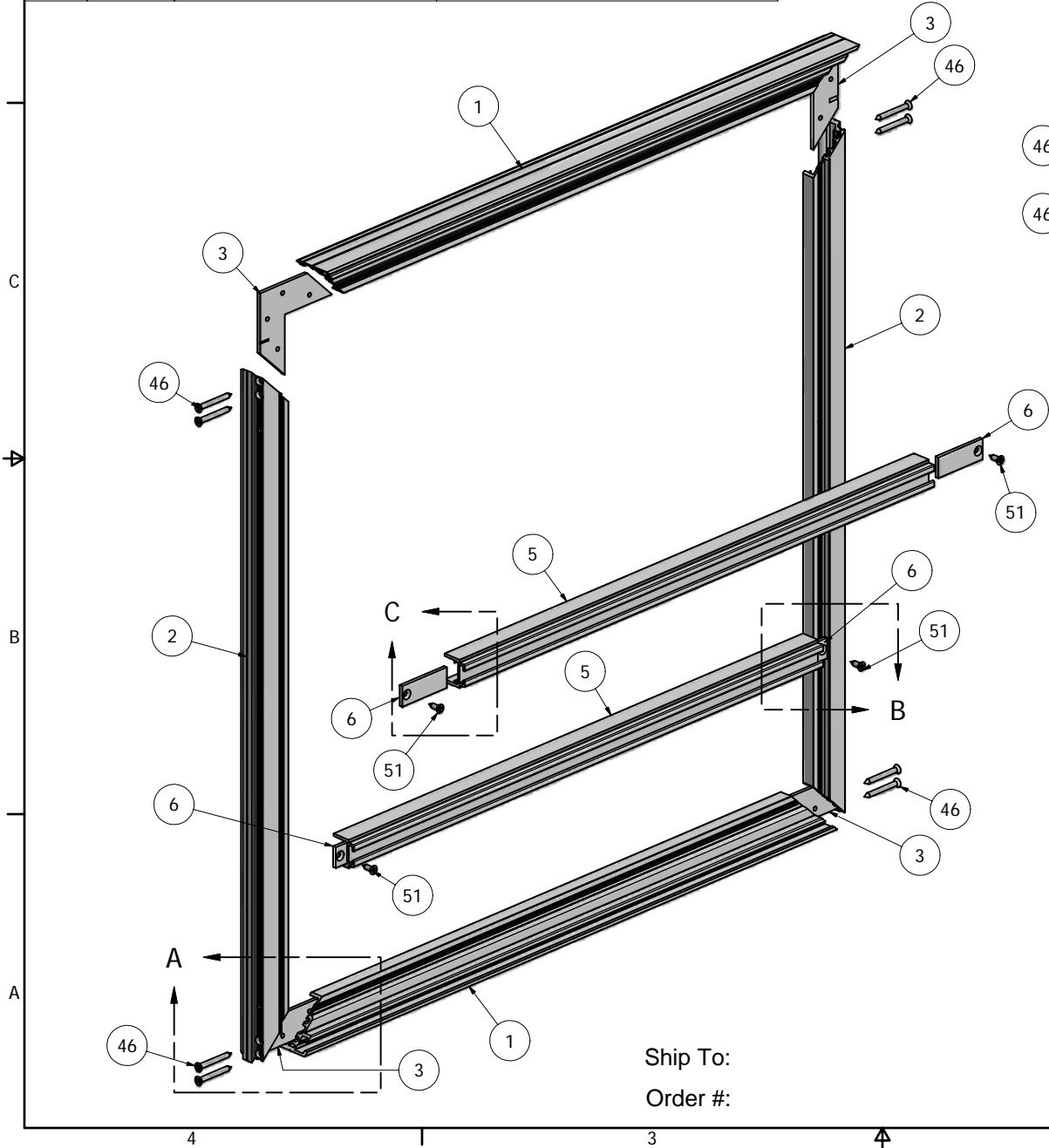
DETAIL B

NOTE: PRE-CUT KITS ARE NOT PRE-DRILLED.
(Holes shown in this drawing are for reference only.
Drilling of pilot holes are to be done by fabricator.)

THIS DRAWING WAS CREATED AT NO CHARGE TO ASSIST YOU IN VISUALIZING OUR PROPOSAL. THE DRAWING HEREIN IS THE PROPERTY OF SIGNCOMP. PERMISSION TO COPY OR REVISE THIS DRAWING OR TO USE THIS DRAWING FOR PRODUCTION IS STRICTLY PROHIBITED AND CAN ONLY BE COPIED, REVISED OR USED FOR PRODUCTION WITH THE EXPRESSED WRITTEN PERMISSION OF SIGNCOMP.

DRAWN Steve	12/19/2008	SignComp		
CHECKED				
QA		TITLE Series 7 Single Face Hinge Body - Assembly		
MFG		SIZE C	DWG NO K1602	REV
APPROVED		SCALE	SHEET 1 OF 1	

Parts List			
ITEM	PART #	DESCRIPTION	NOTES
1	1666	Insert Retainer	Top & Bottom
2	1690	Access Frame	Sides
3	5210	Corner Key	Pre-Punched
46	5270	Insert Retainer Corner Screw	Pre-Drilled #8 Counter Sink
5	1668	Insert Divider	
6	5306	Insert Divider Tab	
51	5168	Insert Divider Screw	Drill #8 Counter Sink



NOTE: PRE-CUT KITS ARE NOT PRE-DRILLED.
 (Holes shown in this drawing are for reference only.
 Drilling of pilot holes are to be done by fabricator.)

THIS DRAWING WAS CREATED AT NO CHARGE TO ASSIST YOU IN VISUALIZING OUR PROPOSAL. THE DRAWING HEREIN IS THE PROPERTY OF SIGNCOMP. PERMISSION TO COPY OR REVISE THIS DRAWING OR TO USE THIS DRAWING FOR PRODUCTION IS STRICTLY PROHIBITED AND CAN ONLY BE COPIED, REVISED OR USED FOR PRODUCTION WITH THE EXPRESSED WRITTEN PERMISSION OF SIGNCOMP.

DRAWN	12/12/2008	SignComp	
CHECKED			
QA		TITLE	
MFG		Insert Retainer/Access Frame/Insert Divider - Assembly	
APPROVED		SIZE	DWG NO
		C	K1666/90/68
		SCALE	REV
			SHEET 1 OF 1

Ship To:
 Order #:

Parts List			
ITEM	PART #	DESCRIPTION	NOTES
7	1674/76/78	4", 6" or 8" Aluminum Insert Panel	
8	1687/88	Aluminum Insert Panel Adaptors	
9	1689	Plastic Insert Panel Adaptors	
53	5168	Extended Insert End Cover Screw	Drill #8 Counter Sink
11	1698	Extended Insert End Cover	

Ship To:

Order #:

D

C

B

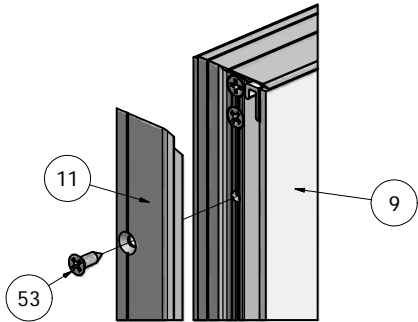
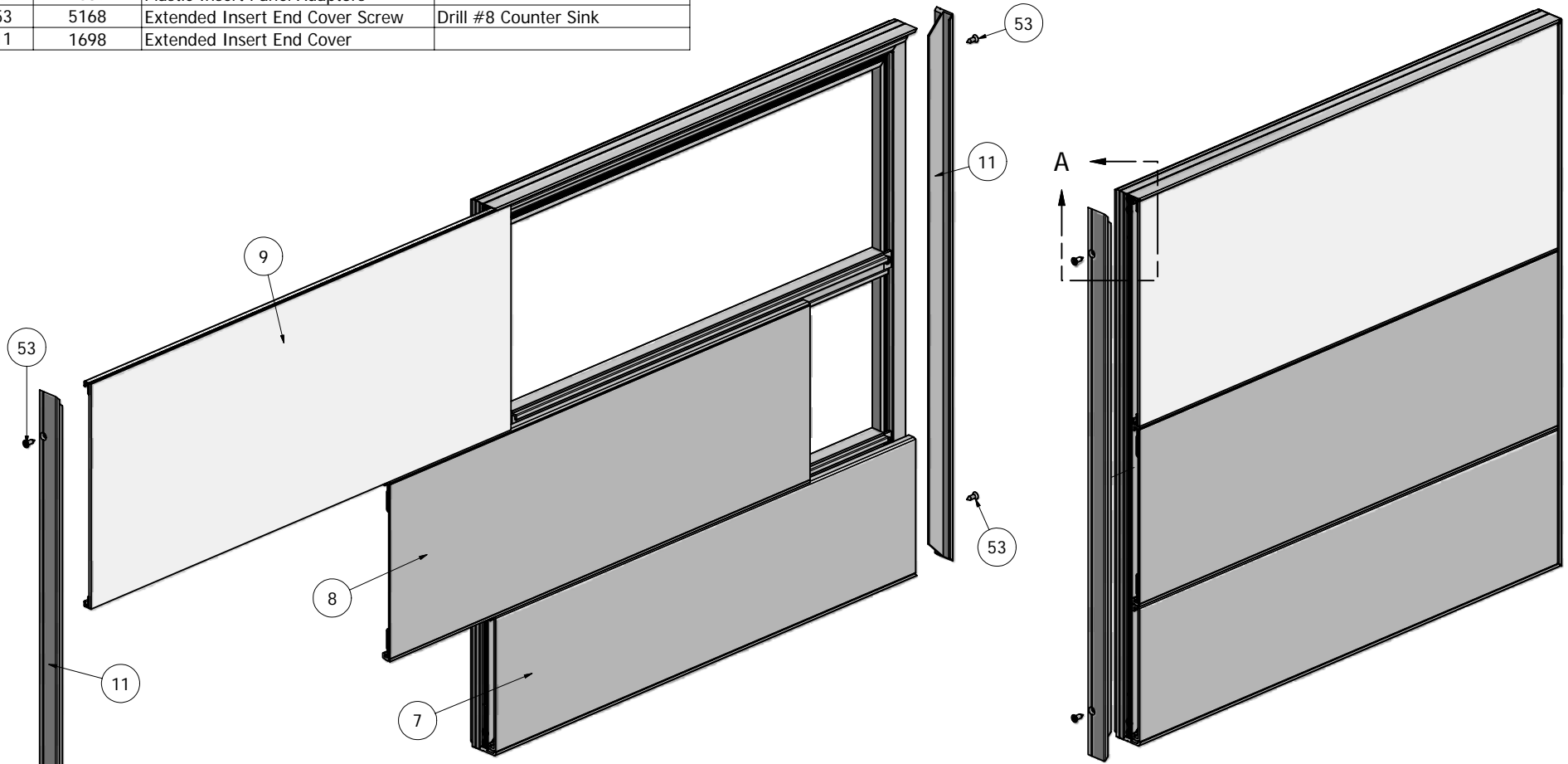
A

D

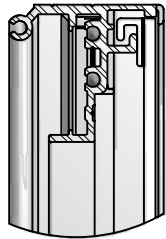
C

B

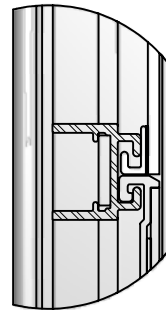
A



DETAIL A



DETAIL C



DETAIL D

NOTE: PRE-CUT KITS ARE NOT PRE-DRILLED.

(Holes shown in this drawing are for reference only.)

Drilling of pilot holes are to be done by fabricator.)

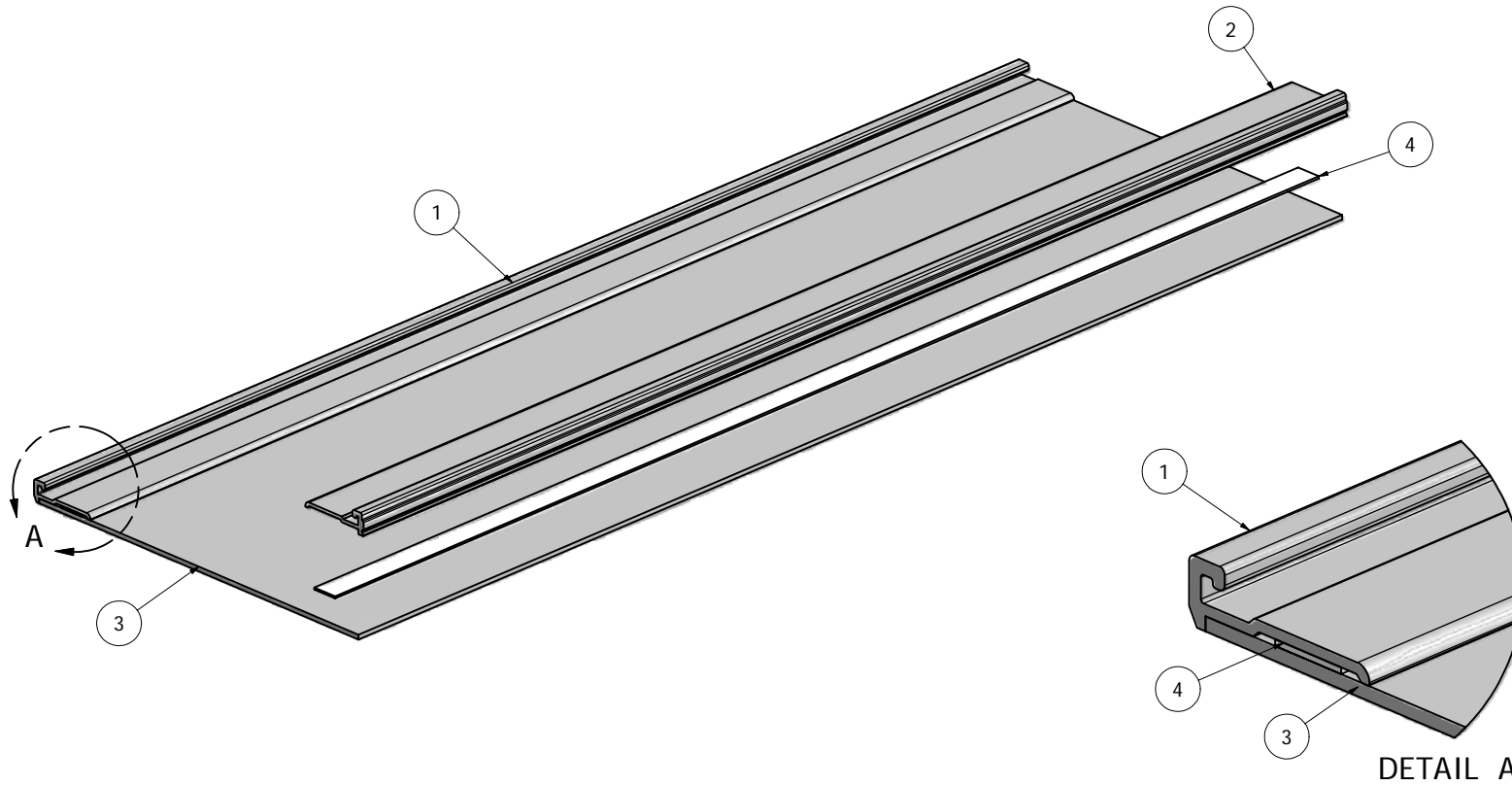
THIS DRAWING WAS CREATED AT NO CHARGE TO ASSIST YOU IN VISUALIZING OUR PROPOSAL. THE DRAWING HEREIN IS THE PROPERTY OF SIGNCOMP. PERMISSION TO COPY OR REVISE THIS DRAWING OR TO USE THIS DRAWING FOR PRODUCTION IS STRICTLY PROHIBITED AND CAN ONLY BE COPIED, REVISED OR USED FOR PRODUCTION WITH THE EXPRESSED WRITTEN PERMISSION OF SIGNCOMP.

DRAWN Steve	12/12/2008	SignComp	
CHECKED			
QA		TITLE	
MFG		Insert Panels & Extended Insert Cover - Assembly	
APPROVED		SIZE C	DWG NO K1666/90/98/68/
		SCALE	REV
			SHEET 1 OF 1

Parts List			
ITEM	PART #	DESCRIPTION	NOTES
1	1687	Aluminum Insert Top Adaptor	
2	1688	Aluminum Insert Bottom Adaptor	
3	Aluminum Stock	.090 Flat Aluminum Sheet	By Fabricator
4	Tape/Adhesive	Bonding Tape or Bonding Adhesive	For Aluminum Bonding - By Fabricator

Ship To:

Order #:

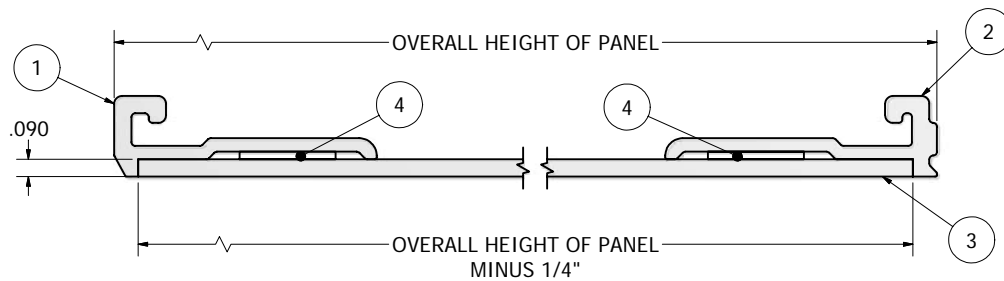


NOTE: PRE-CUT KITS ARE NOT PRE-DRILLED.

(Holes shown in this drawing are for reference only.
Drilling of pilot holes are to be done by fabricator.)

THIS DRAWING WAS CREATED AT NO CHARGE TO ASSIST YOU IN VISUALIZING OUR PROPOSAL. THE DRAWING HEREIN IS THE PROPERTY OF SIGNCOMP. PERMISSION TO COPY OR REVISE THIS DRAWING OR TO USE THIS DRAWING FOR PRODUCTION IS STRICTLY PROHIBITED AND CAN ONLY BE COPIED, REVISED OR USED FOR PRODUCTION WITH THE EXPRESSED WRITTEN PERMISSION OF SIGNCOMP.

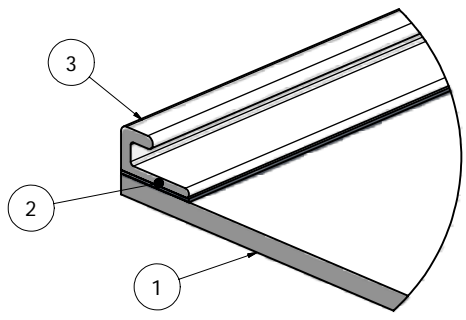
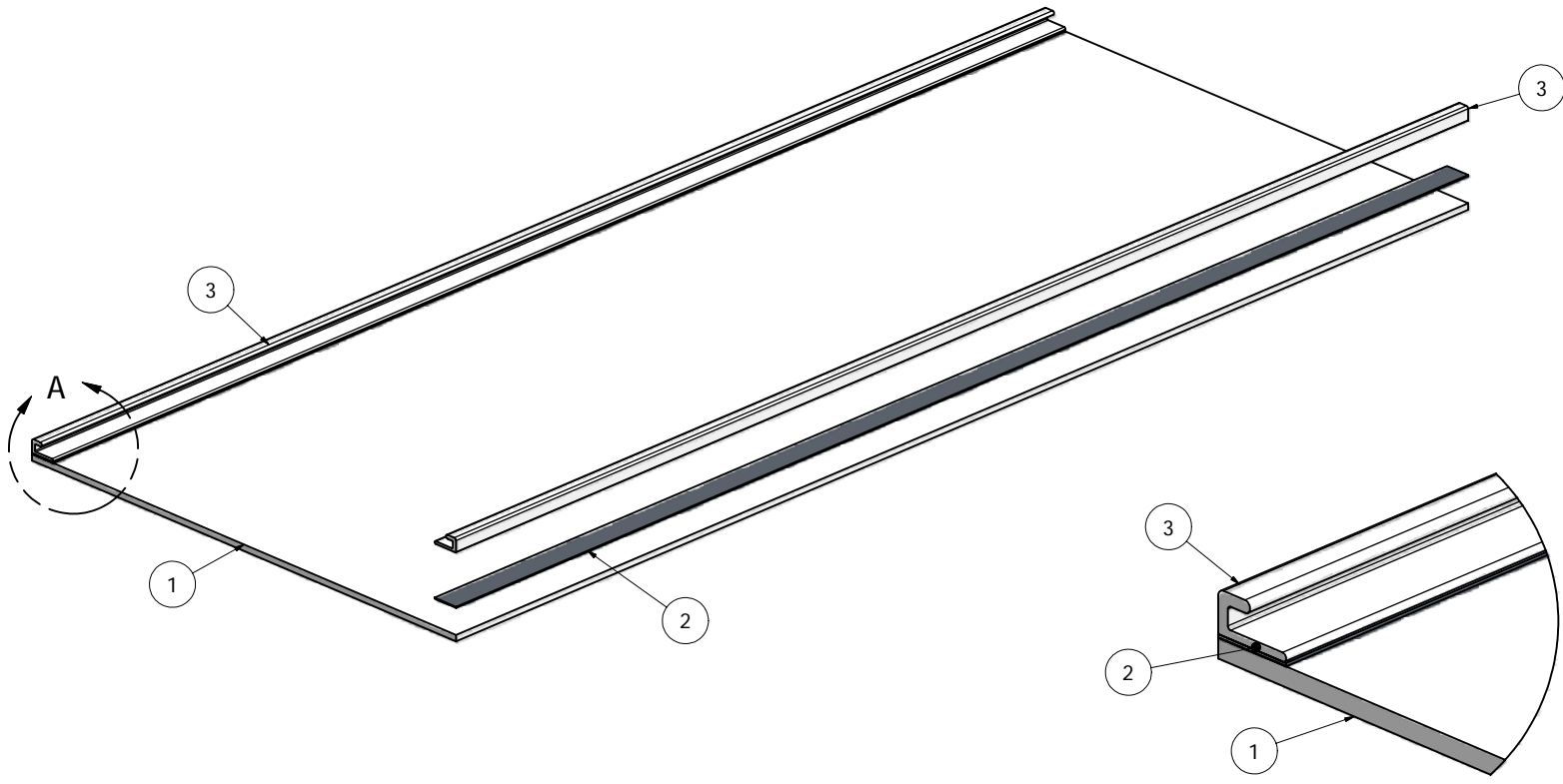
DRAWN Steve	12/15/2008	SignComp	
CHECKED			
QA		TITLE	
MFG		Aluminum Top/Bottom Insert Adaptors - Assembly	
APPROVED		SIZE C	DWG NO K1687/88
		SCALE	REV
			SHEET 1 OF 1



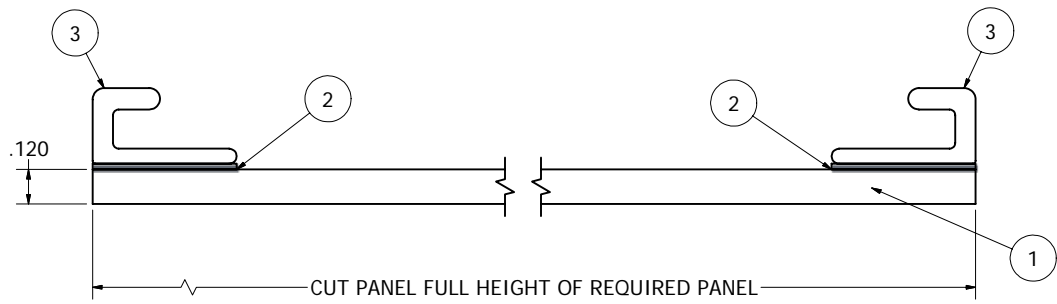
Parts List			
ITEM	PART #	DESCRIPTION	NOTES
1	Plastic Stock	.120 Acrylic Sheet	By Fabricator
2	Adhesive	Adhesive Tape (for Plastic) or Liquid Bonding Agent	By Fabricator
3	1689	Plastic Insert Adaptor	Top & Bottom

Ship To:

Order #:



DETAIL A



NOTE: PRE-CUT KITS ARE NOT PRE-DRILLED.
 (Holes shown in this drawing are for reference only.
 Drilling of pilot holes are to be done by fabricator.)

THIS DRAWING WAS CREATED AT NO CHARGE TO ASSIST YOU IN VISUALIZING OUR PROPOSAL. THE DRAWING HEREIN IS THE PROPERTY OF SIGNCOMP. PERMISSION TO COPY OR REVISE THIS DRAWING OR TO USE THIS DRAWING FOR PRODUCTION IS STRICTLY PROHIBITED AND CAN ONLY BE COPIED, REVISED OR USED FOR PRODUCTION WITH THE EXPRESSED WRITTEN PERMISSION OF SIGNCOMP.

DRAWN Steve	12/15/2008	SignComp	
CHECKED			
QA		TITLE Plastic Insert Panel Adaptors - Assembly	
MFG		SIZE C	DWG NO K1689
APPROVED		SCALE	REV
		SHEET 1 OF 1	