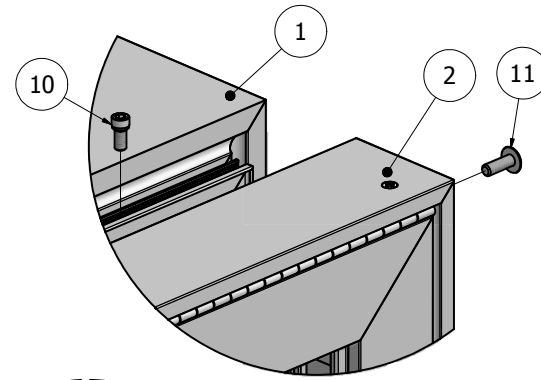
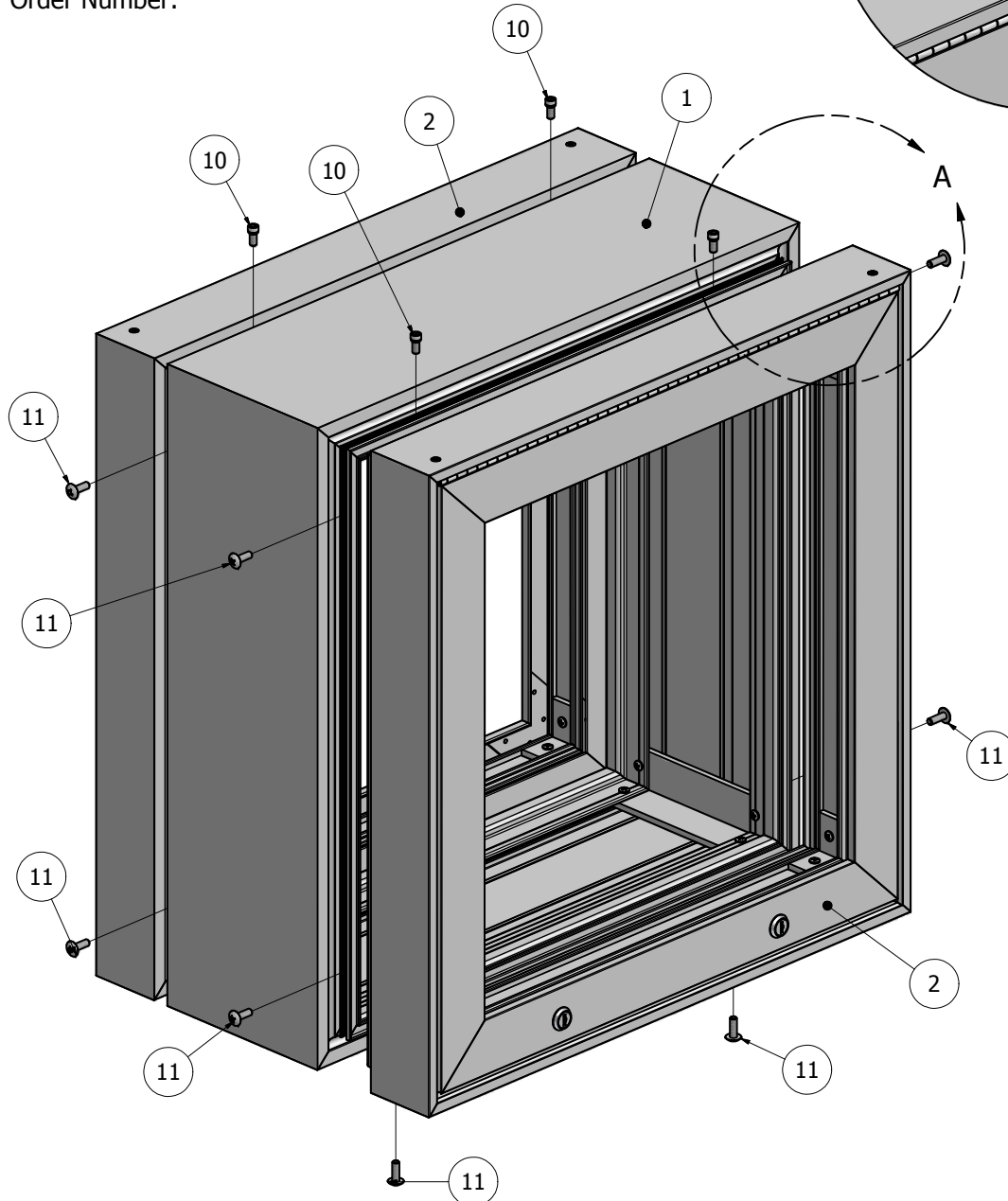
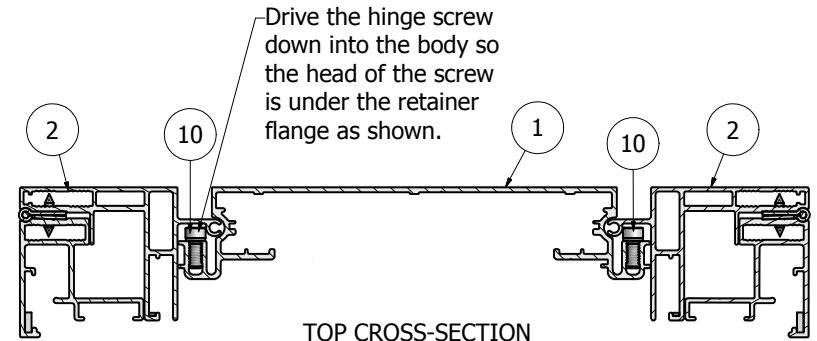
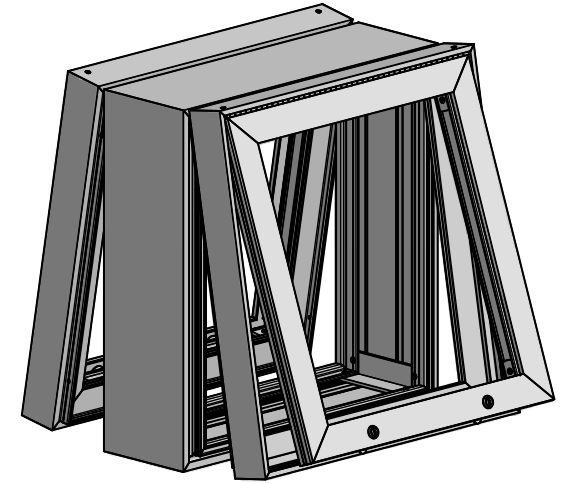


| Parts List | | | |
|------------|----------|-----------------------------|------------------------|
| ITEM | PART# | DESCRIPTION | NOTES |
| 1 | K2015 | Medium Body | Assembly |
| 2 | K2097/41 | Large Inner and Outer Frame | Assembly |
| 10 | 5170 | Hinge Screw | Drill 3/8" pilot hole |
| 11 | 5180 | Closure Screw | Drill 5/16" pilot hole |

Ship To:
Order Number:



DETAIL A



TOP CROSS-SECTION

NOTE: PRE-CUT KITS ARE NOT PRE-DRILLED.

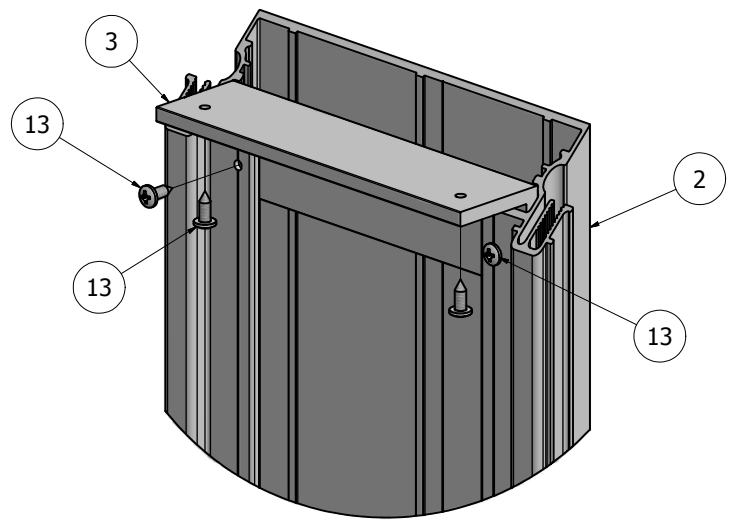
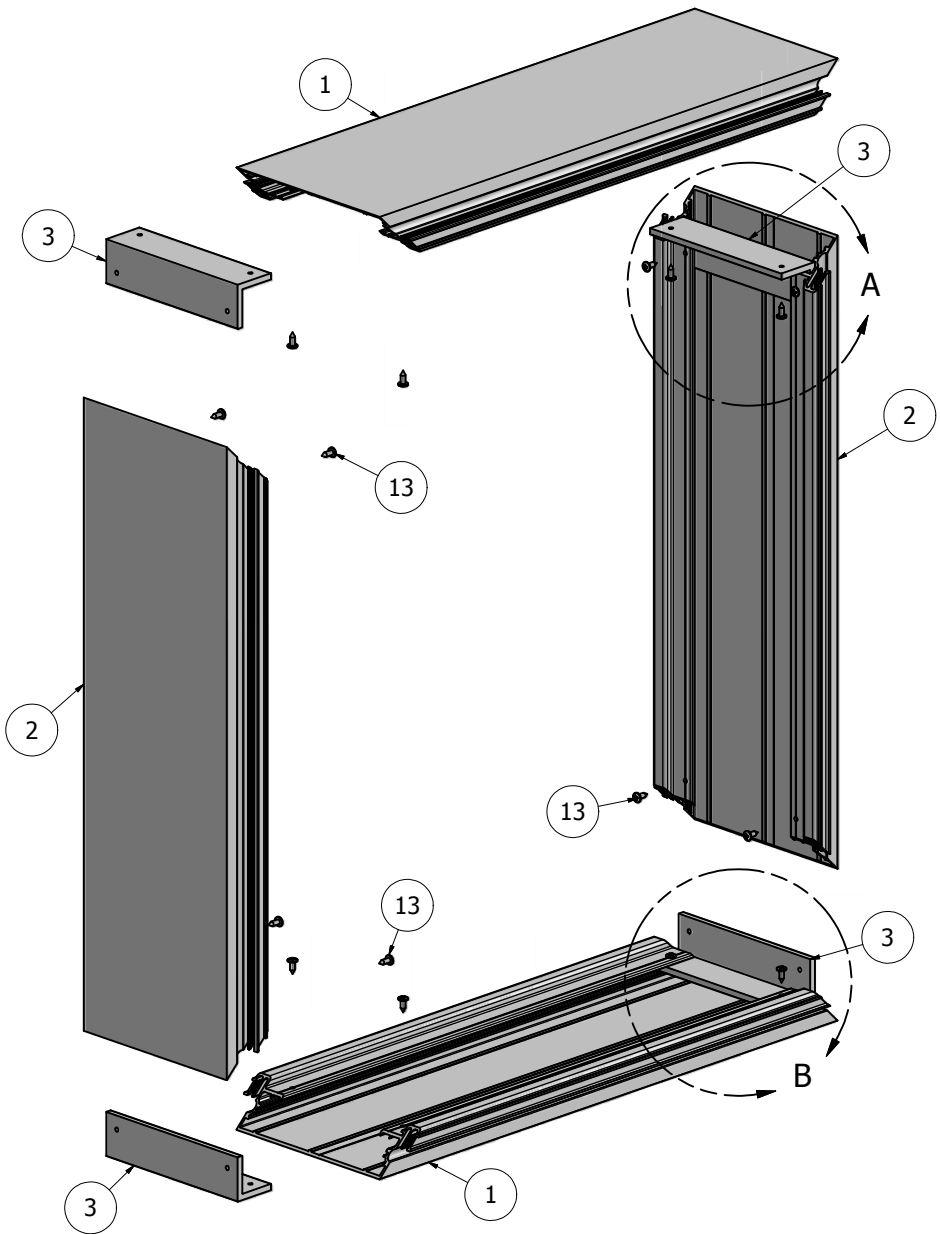
(Holes shown in this drawing are for reference only.
Drilling of pilot holes are to be done by fabricator.)

| | | | |
|---|-----------------------|--|--------------|
| THIS DRAWING WAS CREATED AT NO CHARGE TO ASSIST YOU IN VISUALIZING OUR PROPOSAL. THE DRAWING HEREIN IS THE PROPERTY OF SIGNCOMP. PERMISSION TO COPY OR REVISE THIS DRAWING OR TO USE THIS DRAWING FOR PRODUCTION IS STRICTLY PROHIBITED AND CAN ONLY BE COPIED, REVISED OR USED FOR PRODUCTION WITH THE EXPRESSED WRITTEN PERMISSION OF SIGNCOMP. | | | |
| DRAWN | Sarah | 3/23/2012 | |
| Centroid X: | 0.000 in | TITLE | |
| Centroid Y: | 0.000 in | | |
| Principal Moments Ix: | 0.000 in ⁴ | Medium Body w/ Large Inner and Outer Frame Retainer - Assembly | |
| Principal Moments Iy: | 0.000 in ⁴ | | |
| Section Modulus Ix: | 0.000 in ³ | DWG NO | REV |
| Section Modulus Iy: | 0.000 in ³ | KMB-97-41 | |
| | | | SHEET 1 OF 1 |

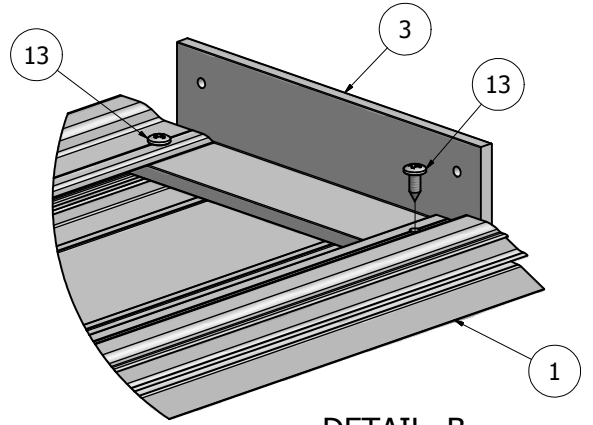
| Parts List | | | |
|------------|--------|--------------------------|------------------------|
| ITEM | PART # | DESCRIPTION | NOTES |
| 1 | 2015 | Medium Body | Top & Bottom |
| 2 | 2015 | Medium Body | Sides |
| 3 | 5318 | Medium Body Corner Angle | |
| 13 | 5218 | Corner Angle Screw | Drill 5/32" pilot hole |

Ship To:
Order Number:

D
C
B
A



DETAIL A



DETAIL B

NOTE: PRE-CUT KITS ARE NOT PRE-DRILLED.
(Holes shown in this drawing are for reference only.
Drilling of pilot holes are to be done by fabricator.)

| | | | |
|---|-----------------------|------------------------|--------------|
| THIS DRAWING WAS CREATED AT NO CHARGE TO ASSIST YOU IN VISUALIZING OUR PROPOSAL. THE DRAWING HEREIN IS THE PROPERTY OF SIGNCOMP. PERMISSION TO COPY OR REVISE THIS DRAWING OR TO USE THIS DRAWING FOR PRODUCTION IS STRICTLY PROHIBITED AND CAN ONLY BE COPIED, REVISED OR USED FOR PRODUCTION WITH THE EXPRESSED WRITTEN PERMISSION OF SIGNCOMP. | | | |
| DRAWN | Sarah | 3/5/2012 | |
| Centroid X: | 0.000 in | TITLE | |
| Centroid Y: | 0.000 in | | |
| Principal Moments Ix: | 0.000 in ⁴ | Medium Body - Assembly | |
| Principal Moments Iy: | 0.000 in ⁴ | | |
| Section Modulus Ix: | 0.000 in ³ | DWG NO | REV |
| Section Modulus Iy: | 0.000 in ³ | K2015 | |
| | | | SHEET 1 OF 1 |

4 3 2 1

4 3 2 1

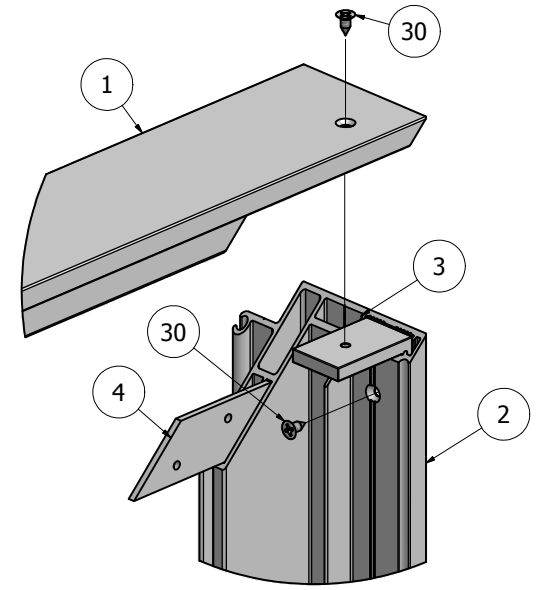
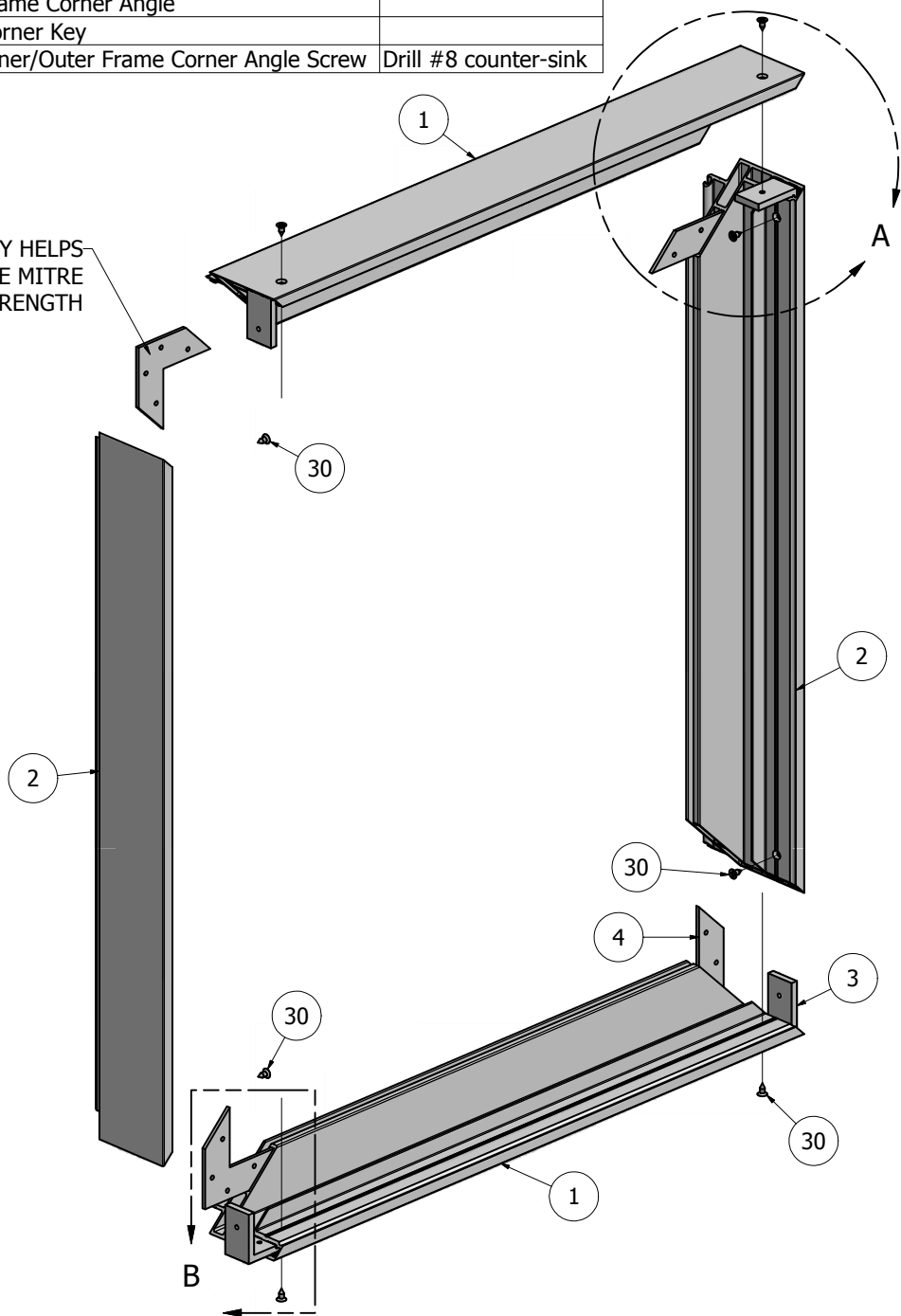
4 3 2 1

4 3 2 1

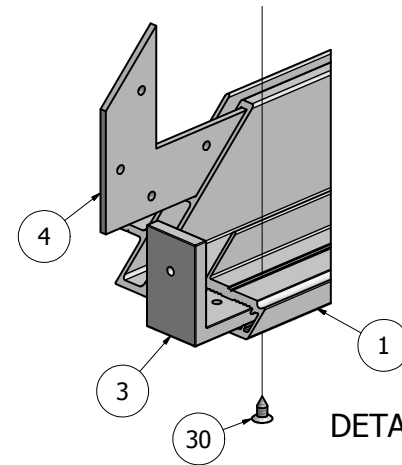
| Parts List | | | |
|------------|--------|--------------------------------------|-----------------------|
| ITEM | PART # | DESCRIPTION | NOTES |
| 1 | 2097 | Large Inner Frame Retainer | Top & Bottom |
| 2 | 2097 | Large Inner Frame Retainer | Sides |
| 3 | 5305 | Frame Corner Angle | |
| 4 | 5210 | Corner Key | |
| 30 | 5990 | Inner/Outer Frame Corner Angle Screw | Drill #8 counter-sink |

Ship To:
Order Number:

CORNER KEY HELPS
ALIGN THE MITRE
AND ADDS STRENGTH



DETAIL A



DETAIL B

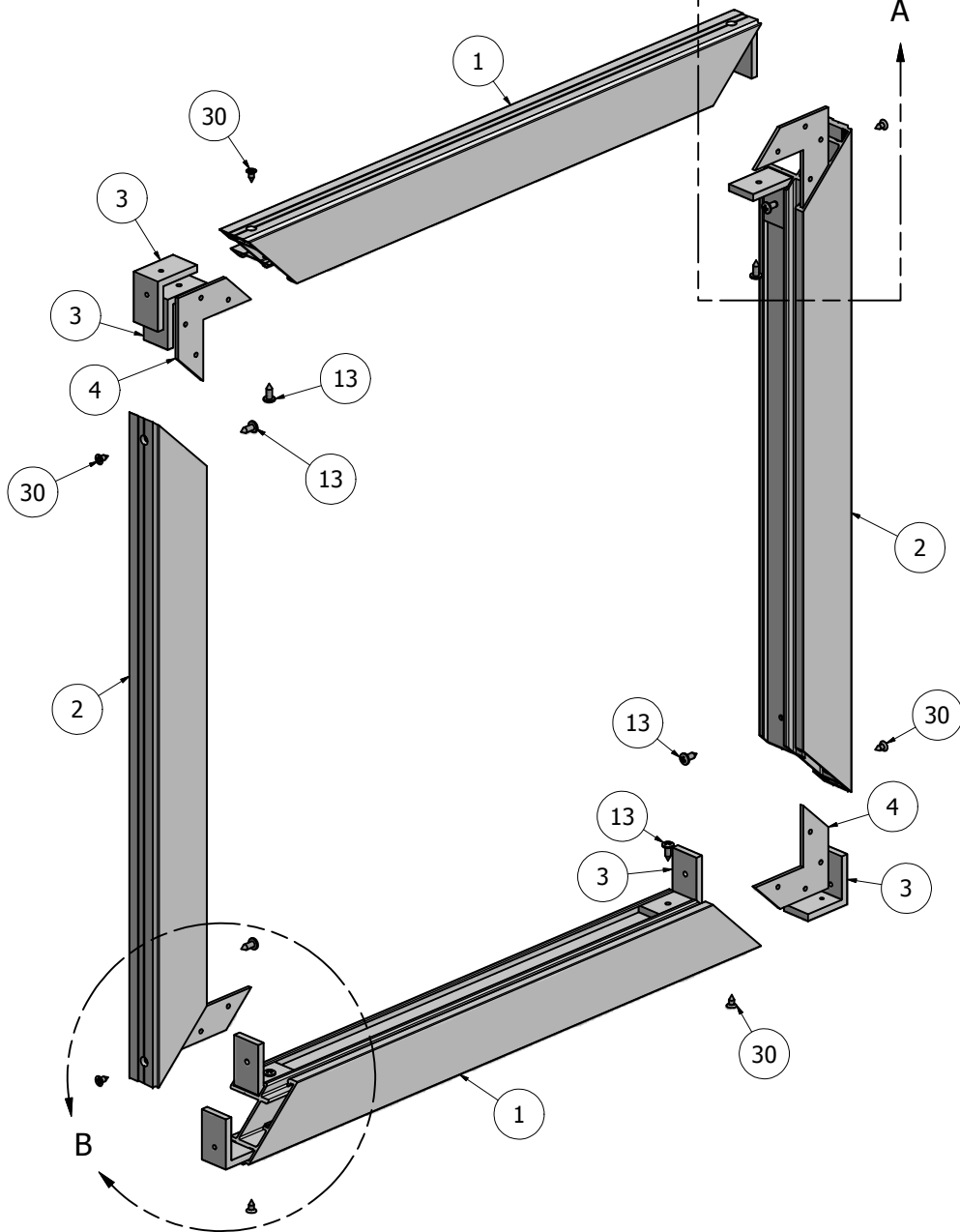
NOTE: PRE-CUT KITS ARE NOT PRE-DRILLED.
(Holes shown in this drawing are for reference only.
Drilling of pilot holes are to be done by fabricator.)

THIS DRAWING WAS CREATED AT NO CHARGE TO ASSIST YOU IN VISUALIZING OUR PROPOSAL. THE DRAWING HEREIN IS THE PROPERTY OF SIGNCOMP. PERMISSION TO COPY OR REVISE THIS DRAWING OR TO USE THIS DRAWING FOR PRODUCTION IS STRICTLY PROHIBITED AND CAN ONLY BE COPIED, REVISED OR USED FOR PRODUCTION WITH THE EXPRESSED WRITTEN PERMISSION OF SIGNCOMP.

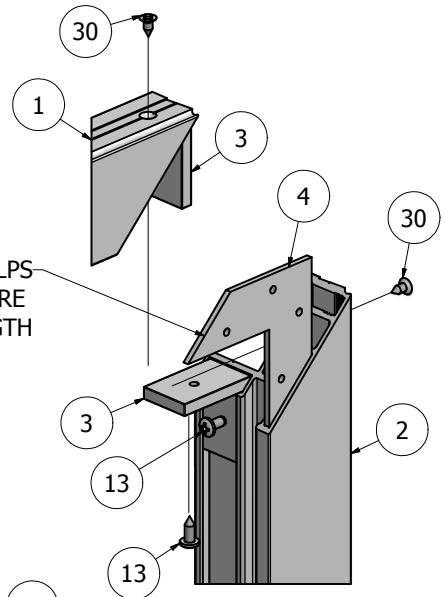
| | | | | |
|-----------------------|-----------------------|----------|---------------------------------------|-----|
| DRAWN | Sarah | 3/7/2012 | SignComp | |
| Centroid X: | 0.000 in | | | |
| Centroid Y: | 0.000 in | | TITLE | |
| Principal Moments Ix: | 0.000 in ⁴ | | Large Inner Frame Retainer - Assembly | |
| Principal Moments Iy: | 0.000 in ⁴ | | DWG NO | REV |
| Section Modulus Ix: | 0.000 in ³ | | K2097 | |
| Section Modulus Iy: | 0.000 in ³ | | SHEET 1 OF 1 | |

| Parts List | | | |
|------------|-------|--------------------------------------|------------------------|
| ITEM | PART# | DESCRIPTION | NOTES |
| 1 | 1941 | 2Part Large Outer Frame | Top & Bottom |
| 2 | 1941 | 2Part Large Outer Frame | Sides |
| 3 | 5305 | Frame Corner Angle | |
| 4 | 5210 | Corner Key | |
| 13 | 5218 | Corner Angle Screw | Drill 5/32" pilot hole |
| 30 | 5990 | Inner/Outer Frame Corner Angle Screw | Drill #8 counter-sink |

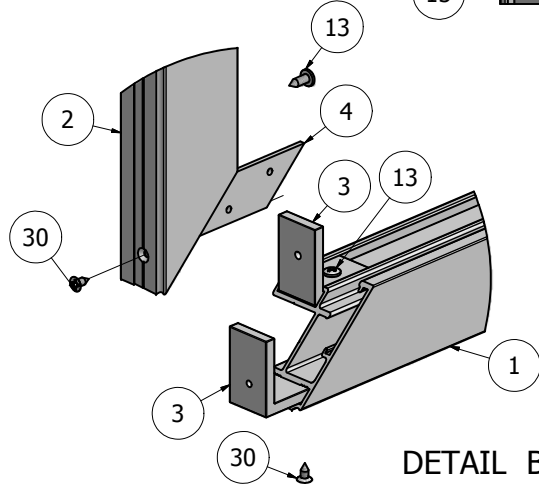
Ship To:
Order Number:



CORNER KEY HELPS
ALIGN THE MITRE
AND ADDS STRENGTH



DETAIL A



DETAIL B

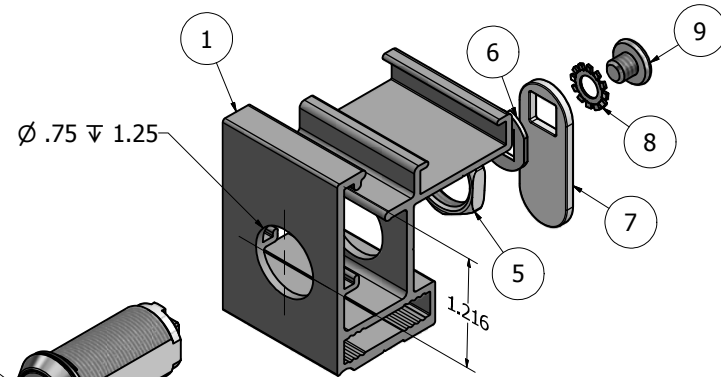
NOTE: PRE-CUT KITS ARE NOT PRE-DRILLED.
(Holes shown in this drawing are for reference only.
Drilling of pilot holes are to be done by fabricator.)

THIS DRAWING WAS CREATED AT NO CHARGE TO ASSIST YOU IN VISUALIZING OUR PROPOSAL. THE DRAWING HEREIN IS THE PROPERTY OF SIGNCOMP. PERMISSION TO COPY OR REVISE THIS DRAWING OR TO USE THIS DRAWING FOR PRODUCTION IS STRICTLY PROHIBITED AND CAN ONLY BE COPIED, REVISED OR USED FOR PRODUCTION WITH THE EXPRESSED WRITTEN PERMISSION OF SIGNCOMP.

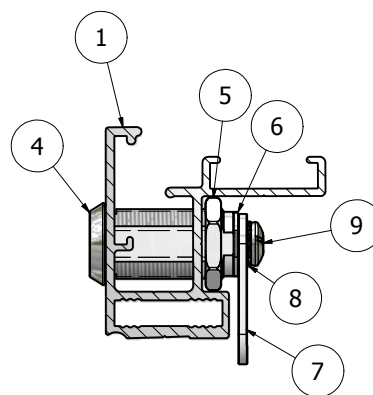
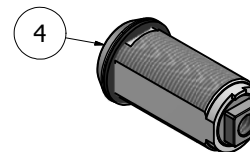
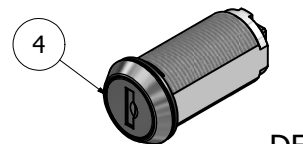
| | | | |
|-----------------------|-----------------------|----------|------------------------------------|
| DRAWN | Sarah | 3/7/2012 | SignComp |
| Centroid X: | 0.000 in | | |
| Centroid Y: | 0.000 in | | TITLE |
| Principal Moments Ix: | 0.000 in ⁴ | | 2Part Large Outer Frame - Assembly |
| Principal Moments Iy: | 0.000 in ⁴ | | DWG NO |
| Section Modulus Ix: | 0.000 in ³ | | K1941 |
| Section Modulus Iy: | 0.000 in ³ | | REV |
| | | | SHEET 1 OF 1 |

| Parts List | | | |
|------------|-------|-------------------------|---|
| ITEM | PART# | DESCRIPTION | Notes |
| 1 | 1941 | 2Part Large Outer Frame | |
| 2 | | Hinge Fastener | 1/8" Pop Rivet or #8 Counter Sink Screw |
| 3 | 5997 | 2Part Large Hinge | |
| 4 | 5993 | 2Part Large Lock | Drill 3/4" Hole - See Detail "A" |
| 5 | | Large Lock Nut | |
| 6 | | Lock Spacer | |
| 7 | | Large Cam | |
| 8 | | Sprong Washer | |
| 9 | | Lock Screw | |

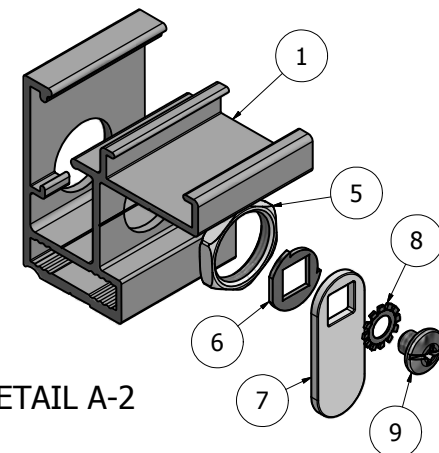
Ship To:
Order Number:



DETAIL A-1



DETAIL B



DETAIL A-2

NOTE: PRE-CUT KITS ARE NOT PRE-DRILLED.

(Holes shown in this drawing are for reference only.
Drilling of pilot holes are to be done by fabricator.)

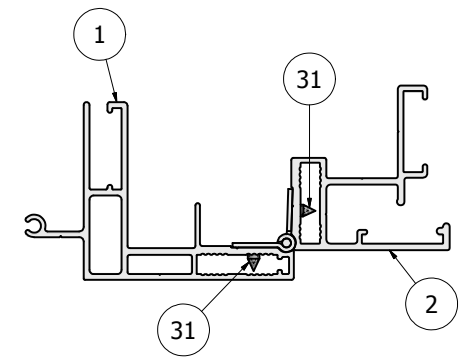
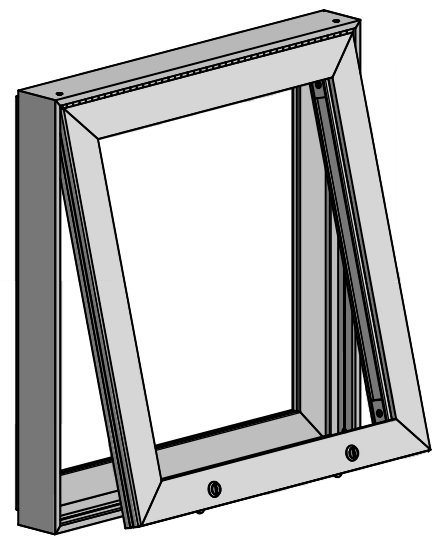
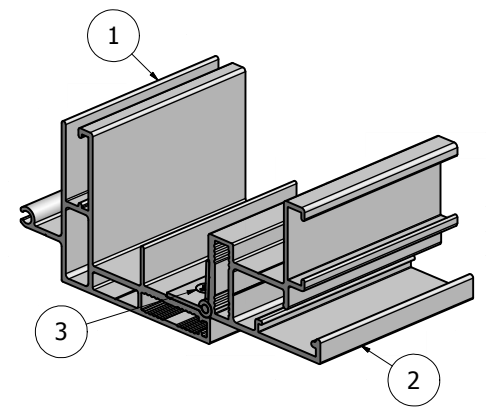
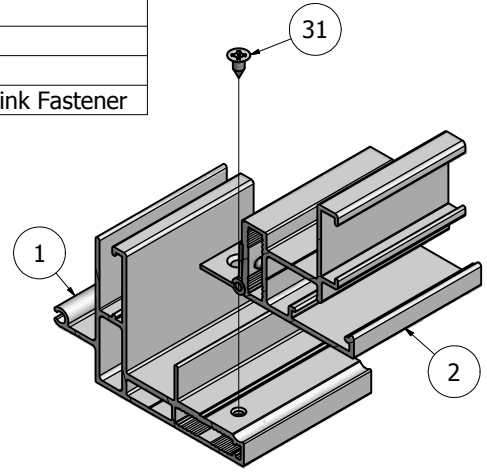
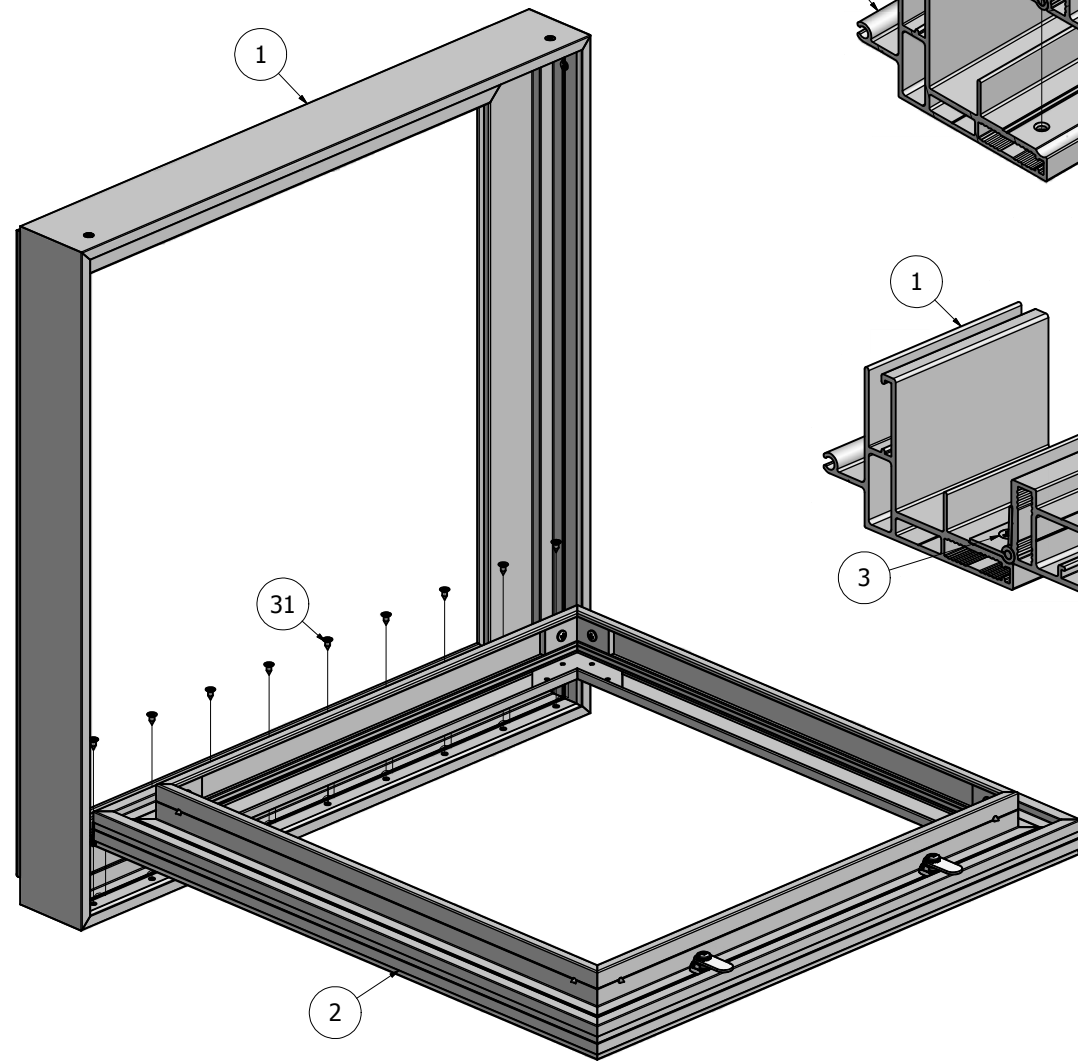
THIS DRAWING WAS CREATED AT NO CHARGE TO ASSIST YOU IN VISUALIZING OUR PROPOSAL. THE DRAWING HEREIN IS THE PROPERTY OF SIGNCOMP. PERMISSION TO COPY OR REVISE THIS DRAWING OR TO USE THIS DRAWING FOR PRODUCTION IS STRICTLY PROHIBITED AND CAN ONLY BE COPIED, REVISED OR USED FOR PRODUCTION WITH THE EXPRESSED WRITTEN PERMISSION OF SIGNCOMP.

| | | | |
|-----------------------|-----------------------|-----------|--|
| DRAWN | Sarah | 3/19/2012 | SignComp |
| Centroid X: | 0.000 in | | |
| Centroid Y: | 0.000 in | | TITLE |
| Principal Moments Ix: | 0.000 in ⁴ | | 2Part Outer Frame - 2Part Hinge - 2Part Lock - Assembly |
| Principal Moments Iy: | 0.000 in ⁴ | | DWG NO |
| Section Modulus Ix: | 0.000 in ³ | | K1941-5993-97 |
| Section Modulus Iy: | 0.000 in ³ | | REV |

TIP: High bond tape or bonding agents can be used to help secure the hinge to the frame and assist in the installation of the hinge. Be careful not to get the tape on the barrel of the hinge. To do so may cause the hinge not to open properly.

| Parts List | | | |
|------------|-------|---------------------------------|---|
| ITEM | PART# | DESCRIPTION | NOTES |
| 1 | K2097 | Large Inner Frame Retainer | Assembly |
| 2 | K1941 | 2Part Outer Frame | Assembly |
| 31 | 5990 | 2Part Large / Small Hinge Screw | 1/8" Pop Rivetor #8 Counter Sink Fastener |

Ship To:
Order Number:



NOTE: PRE-CUT KITS ARE NOT PRE-DRILLED.
(Holes shown in this drawing are for reference only.
Drilling of pilot holes are to be done by fabricator.)

| | | |
|---|-----------------------|--|
| THIS DRAWING WAS CREATED AT NO CHARGE TO ASSIST YOU IN VISUALIZING OUR PROPOSAL. THE DRAWING HEREIN IS THE PROPERTY OF SIGNCOMP. PERMISSION TO COPY OR REVISE THIS DRAWING OR TO USE THIS DRAWING FOR PRODUCTION IS STRICTLY PROHIBITED AND CAN ONLY BE COPIED, REVISED OR USED FOR PRODUCTION WITH THE EXPRESSED WRITTEN PERMISSION OF SIGNCOMP. | | |
| DRAWN | Sarah | 4/30/2012 |
| Centroid X: | 0.000 in | |
| Centroid Y: | 0.000 in | |
| Principal Moments Ix: | 0.000 in ⁴ | |
| Principal Moments Iy: | 0.000 in ⁴ | |
| Section Modulus Ix: | 0.000 in ³ | |
| Section Modulus Iy: | 0.000 in ³ | |
| <h1 style="text-align: center;">SignComp</h1> | | TITLE |
| | | <h2 style="text-align: center;">Large Inner Frame Retainer and 2Part Outer Frame - Assembly</h2> |
| DWG NO | | REV |
| K2097-1941 | | |
| SHEET 1 OF 1 | | |

TIP: High bond tape or bonding agents can be used to help secure the hinge to the frame and assist in the installation of the hinge. Be careful not to get the tape on the barrel of the hinge. Doing so may cause the hinge not to open properly.