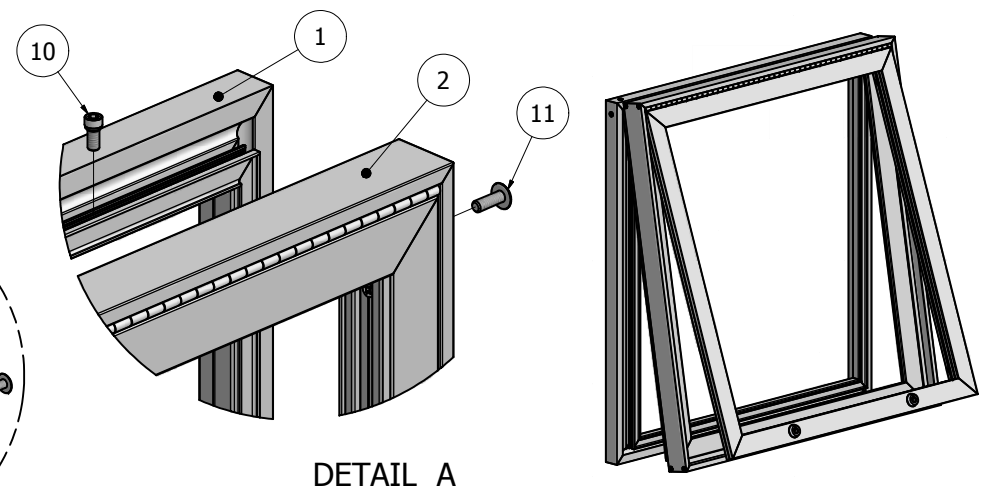
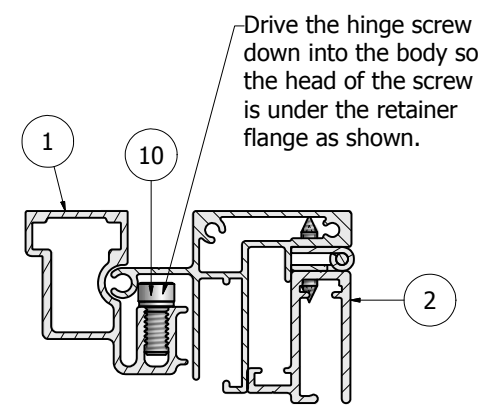
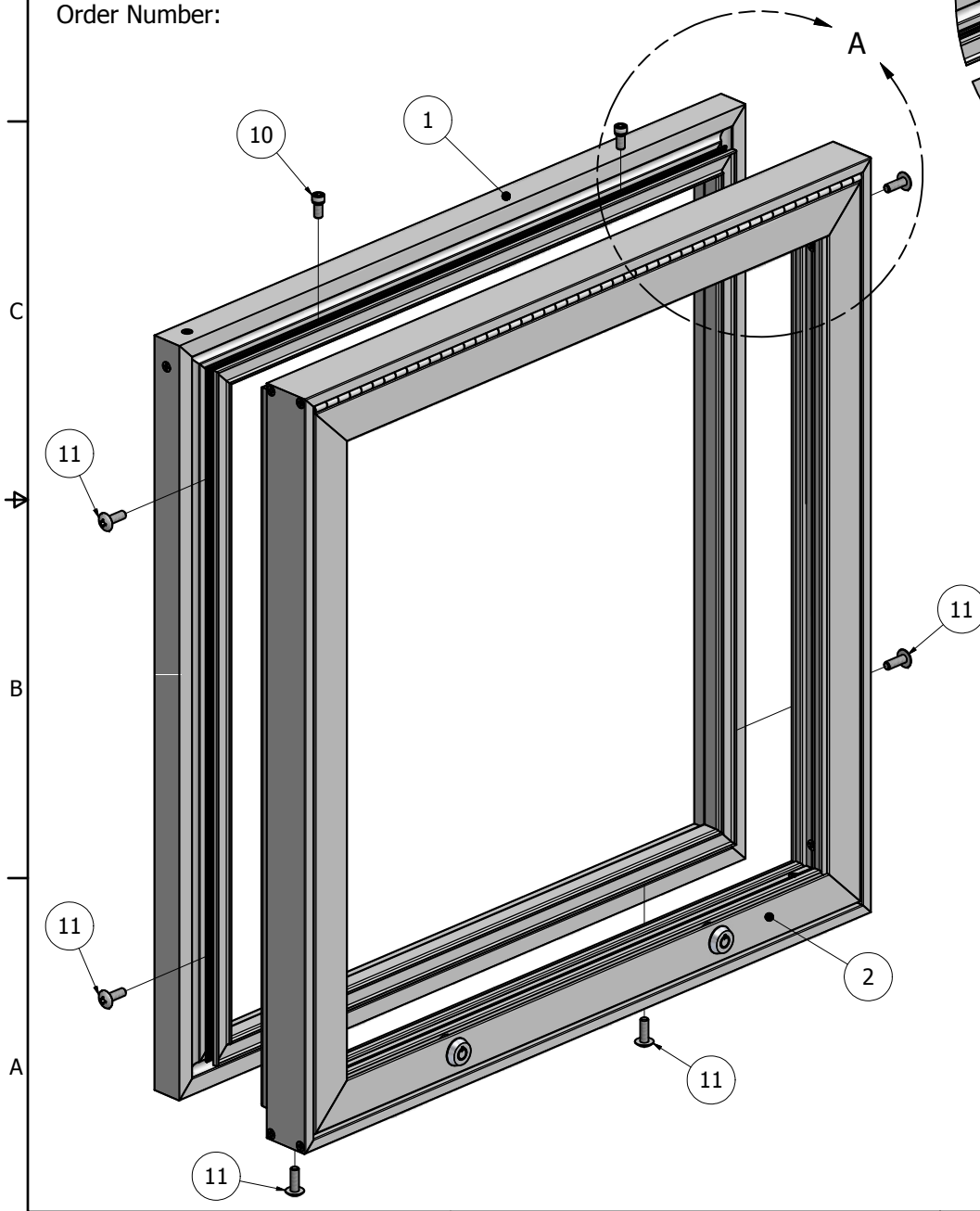
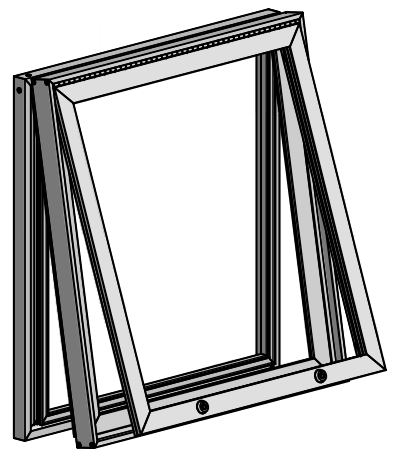


Parts List			
ITEM	PART#	DESCRIPTION	NOTES
2	K2099/42	Small Inner/ 2Part Outer Frame Retainer	Assembly
1	K2020	Slimline Single Face Body	Assembly
10	5170	Hinge Screw	Drill 3/8" pilot hole
11	5180	Closure Screw	Drill 5/16" pilot hole

Ship To:
Order Number:



DETAIL A



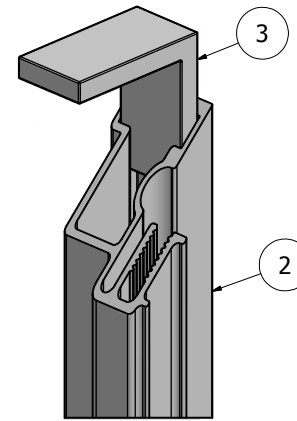
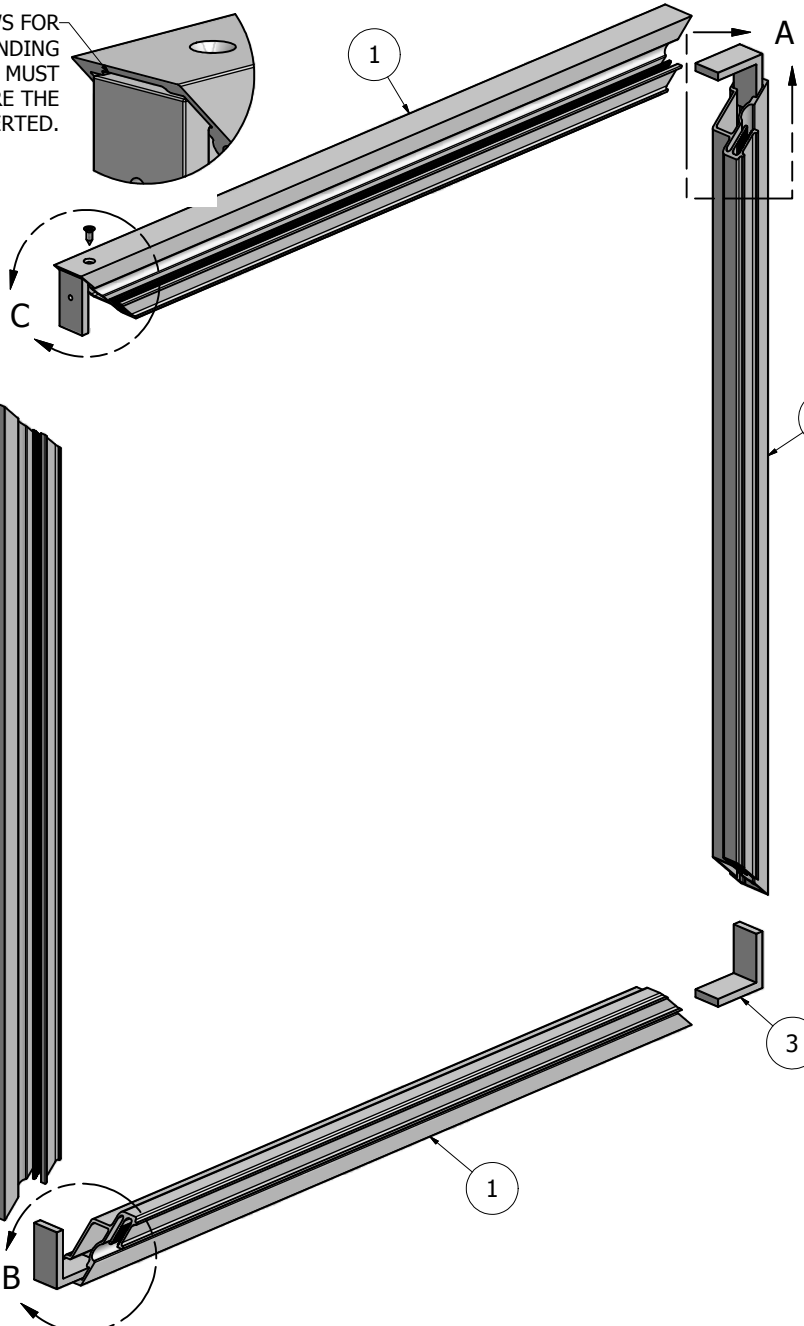
TOP CROSS-SECTION

NOTE: PRE-CUT KITS ARE NOT PRE-DRILLED.
(Holes shown in this drawing are for reference only.
Drilling of pilot holes are to be done by fabricator.)

THIS DRAWING WAS CREATED AT NO CHARGE TO ASSIST YOU IN VISUALIZING OUR PROPOSAL. THE DRAWING HEREIN IS THE PROPERTY OF SIGNCOMP. PERMISSION TO COPY OR REVISE THIS DRAWING OR TO USE THIS DRAWING FOR PRODUCTION IS STRICTLY PROHIBITED AND CAN ONLY BE COPIED, REVISED OR USED FOR PRODUCTION WITH THE EXPRESSED WRITTEN PERMISSION OF SIGNCOMP.		
DRAWN	Sarah 5/4/2012	SignComp
Centroid X:	0.000 in	
Centroid Y:	0.000 in	TITLE
Principal Moments Ix:	0.000 in ⁴	Slimline Single Face Body w/ Small Inner and 2Part Outer Frame Retainer - Assembly
Principal Moments Iy:	0.000 in ⁴	DWG NO
Section Modulus Ix:	0.000 in ³	K2020-99-42
Section Modulus Iy:	0.000 in ³	REV
		SHEET 1 OF 1

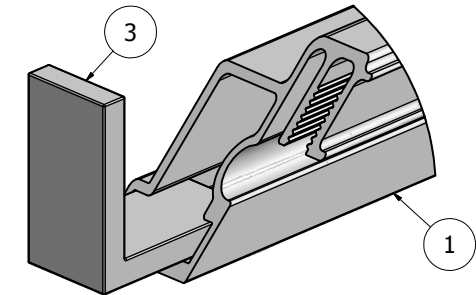
Parts List			
ITEM	PART#	DESCRIPTION	NOTES
1	2020	Slimline Single Face Body	Top & Bottom
2	2020	Slimline Single Face Body	Sides
3	5320	Slimline Body Corner Angle	
4	By Other	Frame Angle Fastener - Optional	NOT PROVIDED BY SIGNCOMP

THIS AREA ALLOWS FOR ADHESIVE OR BONDING AGENT. ADHESIVE MUST BE APPLIED BEFORE THE ANGLE IS INSERTED.



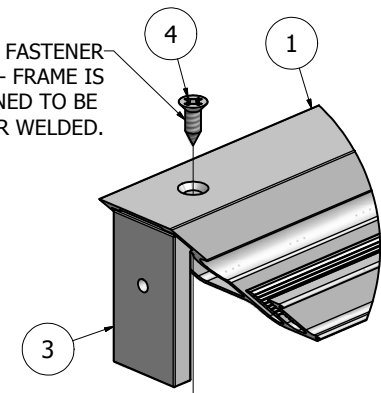
DETAIL A

Ship To:
Order Number:



DETAIL B

*OPTIONAL FASTENER-ASSEMBLY - FRAME IS DESIGNED TO BE BONDED OR WELDED.

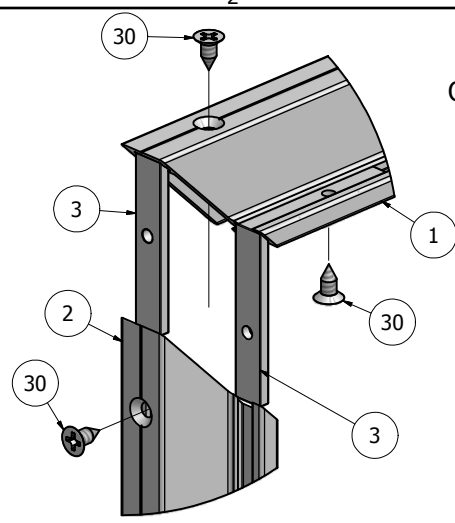
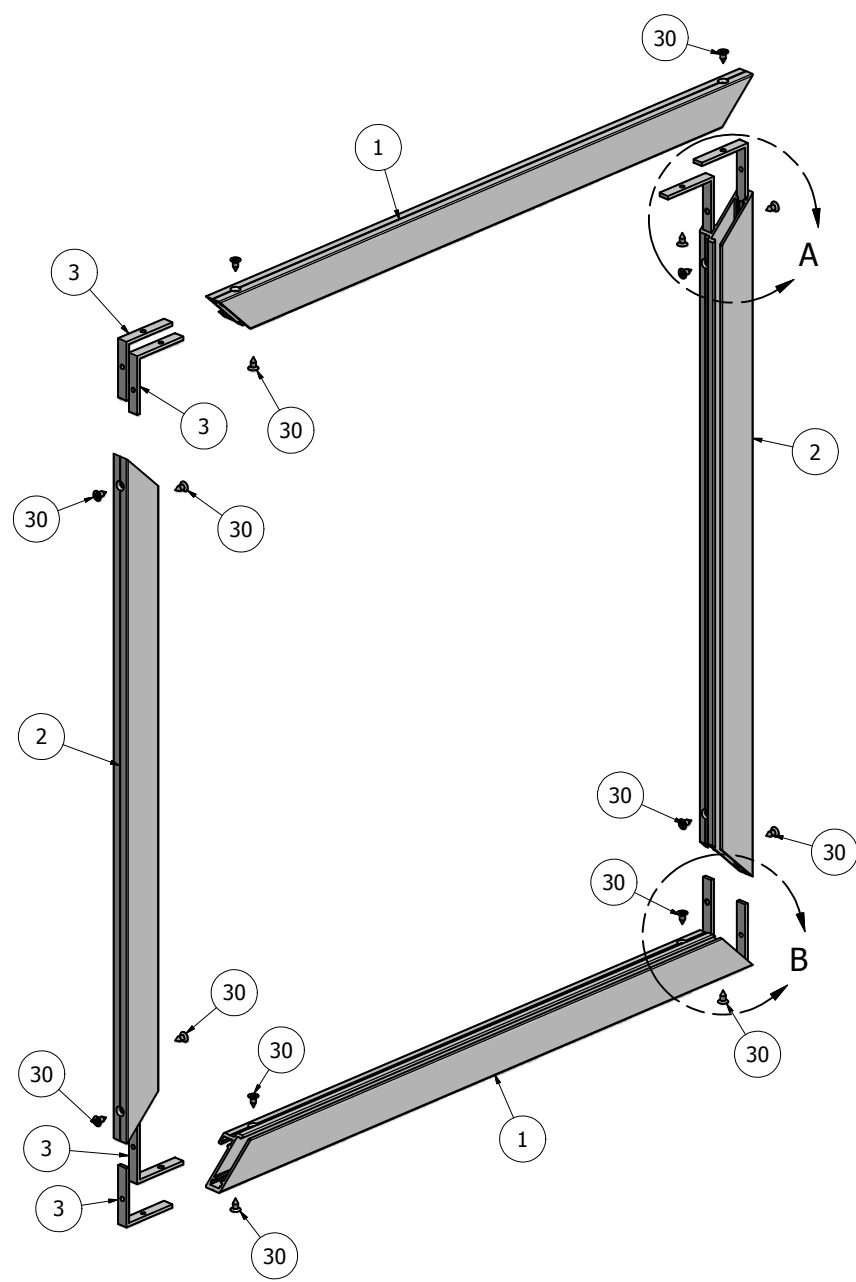


DETAIL C

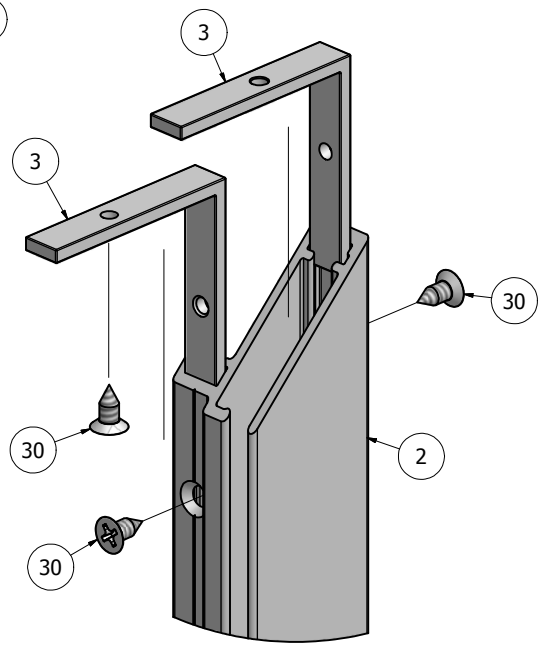
NOTE: PRE-CUT KITS ARE NOT PRE-DRILLED.
(Holes shown in this drawing are for reference only. Drilling of pilot holes are to be done by fabricator.)

THIS DRAWING WAS CREATED AT NO CHARGE TO ASSIST YOU IN VISUALIZING OUR PROPOSAL. THE DRAWING HEREIN IS THE PROPERTY OF SIGNCOMP. PERMISSION TO COPY OR REVISE THIS DRAWING OR TO USE THIS DRAWING FOR PRODUCTION IS STRICTLY PROHIBITED AND CAN ONLY BE COPIED, REVISED OR USED FOR PRODUCTION WITH THE EXPRESSED WRITTEN PERMISSION OF SIGNCOMP.			<h1>SignComp</h1>	
DRAWN	Sarah	4/30/2012		
	Centroid X:	0.000 in	Slimline Single Face Body - Assembly	
	Centroid Y:	0.000 in		
	Principal Moments Ix:	0.000 in ⁴	DWG NO	REV
	Principal Moments Iy:	0.000 in ⁴	K2020	
	Section Modulus Ix:	0.000 in ³	SHEET 1 OF 1	
	Section Modulus Iy:	0.000 in ³		

Parts List			
ITEM	PART #	DESCRIPTION	NOTES
1	1942	2Part Outer Frame	Top & Bottom
2	1942	2Part Outer Frame	Ends
3	5975	2Part Outer Frame Corner Angle	
30	5990	2Part Outer Frame Corner Angle Screw	Drill #8 Counter Sink



DETAIL B
BACK VIEW



DETAIL A

Ship To:
Order Number:

NOTE: PRE-CUT KITS ARE NOT PRE-DRILLED.
(Holes shown in this drawing are for reference only.
Drilling of pilot holes are to be done by fabricator.)

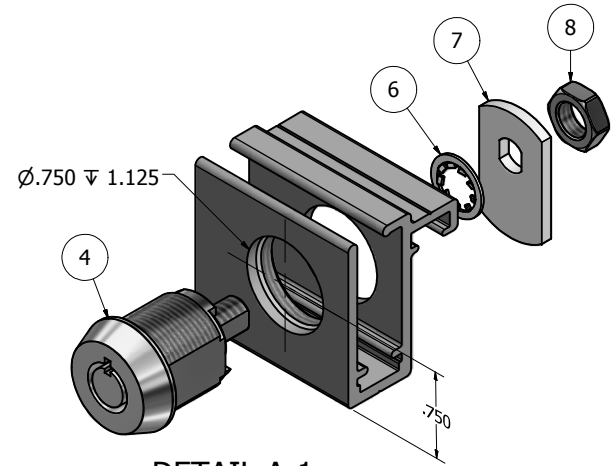
THIS DRAWING WAS CREATED AT NO CHARGE TO ASSIST YOU IN VISUALIZING OUR PROPOSAL. THE DRAWING HEREIN IS THE PROPERTY OF SIGNCOMP. PERMISSION TO COPY OR REVISE THIS DRAWING OR TO USE THIS DRAWING FOR PRODUCTION IS STRICTLY PROHIBITED AND CAN ONLY BE COPIED, REVISED OR USED FOR PRODUCTION WITH THE EXPRESSED WRITTEN PERMISSION OF SIGNCOMP.

DRAWN	Steve	6/17/2010
CHECKED		
QA		
MFG		
APPROVED		

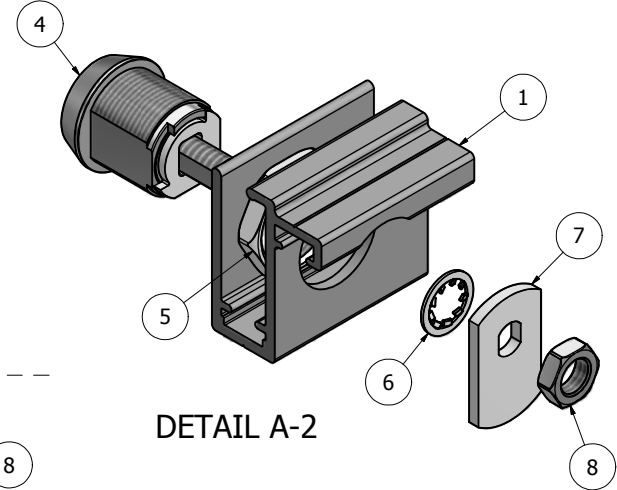
<h1>SignComp</h1>		
2Part Outer Frame		
SIZE	DWG NO	REV
C	K1942	
SCALE	SHEET 1 OF 1	

Parts List			
ITEM	PART #	DESCRIPTION	NOTES
1	1942	2Part Outer Frame	
2		Hinge Fastener	1/8" Pop Rivet or #8 Counter Sunk Screw
3	5996	2Part Hinge	
4	5994	2Part Lock	Drill 3/4" Hole - See Detail "A"
5		Lock Nut	
6		Lock Washer	
7		Cam	
8		Cam Nut	
31	5990	Hinge Screw	

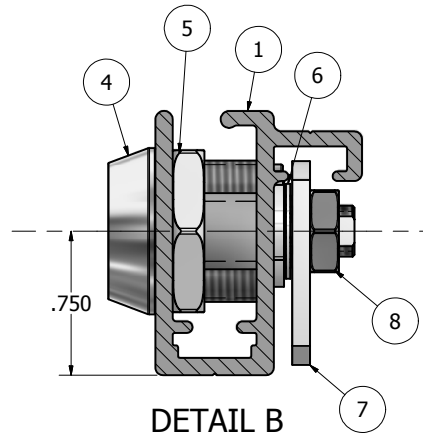
Ship To:
Order Number:



DETAIL A-1



DETAIL A-2



DETAIL B

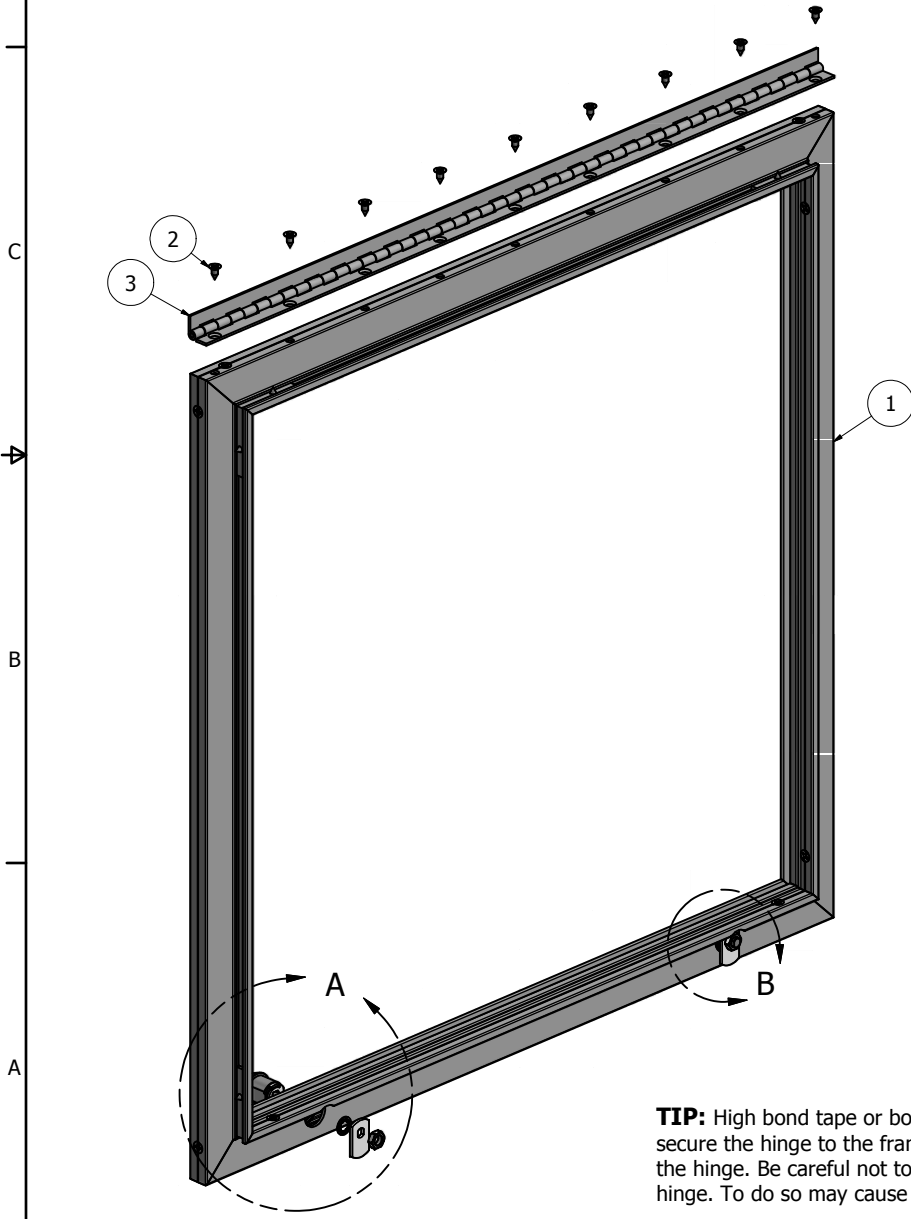
NOTE: PRE-CUT KITS ARE NOT PRE-DRILLED.

(Holes shown in this drawing are for reference only.
Drilling of pilot holes are to be done by fabricator.)

THIS DRAWING WAS CREATED AT NO CHARGE TO ASSIST YOU IN VISUALIZING OUR PROPOSAL. THE DRAWING HEREIN IS THE PROPERTY OF SIGNCOMP. PERMISSION TO COPY OR REVISE THIS DRAWING OR TO USE THIS DRAWING FOR PRODUCTION IS STRICTLY PROHIBITED AND CAN ONLY BE COPIED, REVISED OR USED FOR PRODUCTION WITH THE EXPRESSED WRITTEN PERMISSION OF SIGNCOMP.

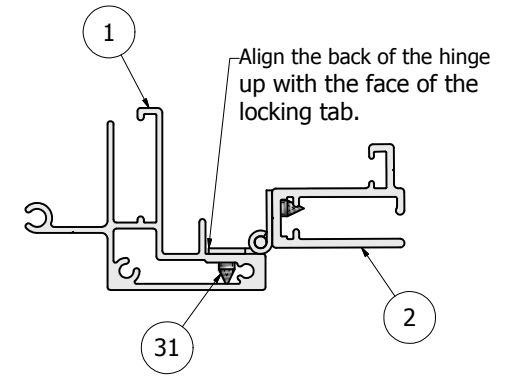
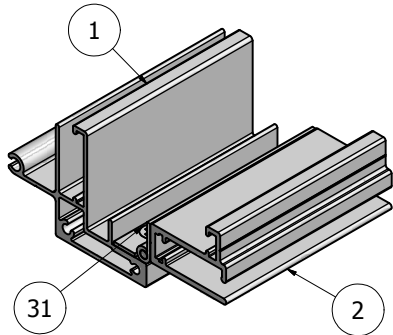
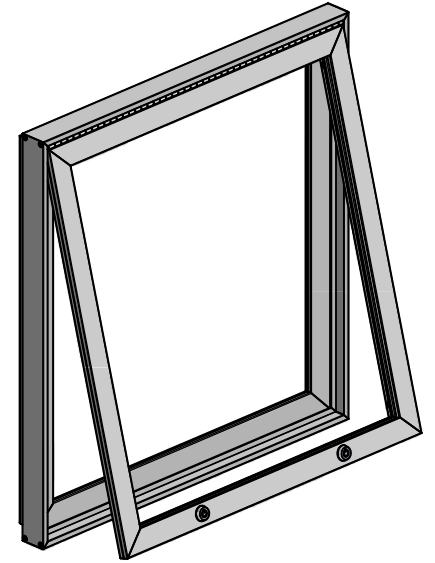
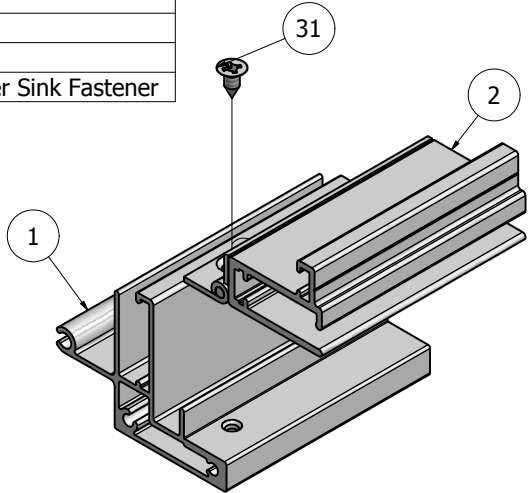
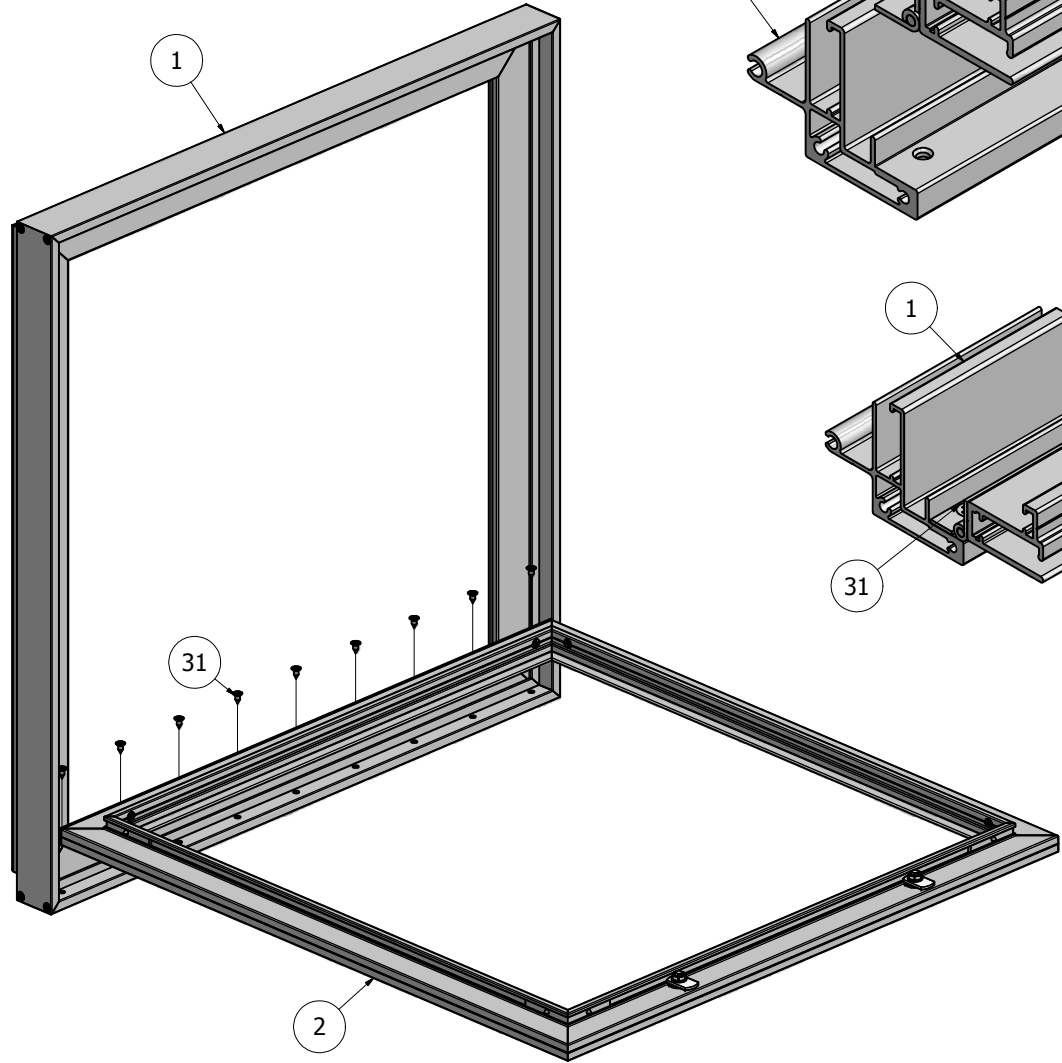
DRAWN	6/17/2010	<h1>SignComp</h1>	
CHECKED			
QA		TITLE	
MFG		2Part Outer Frame - 2Part Hinge - 2Part Lock - Assembly	
APPROVED		SIZE	DWG NO
		C	K1942-5994-96
		SCALE	REV

TIP: High bond tape or bonding agents can be used to help secure the hinge to the frame and assist in the installation of the hinge. Be careful not to get the tape on the barrel of the hinge. To do so may cause the hinge not to open properly.



Parts List			
ITEM	PART#	DESCRIPTION	NOTES
1	K2099	Inner Frame Retainer	Assembly
2	K1942	2Part Outer Frame	Assembly
31	5990	2Part Large/Small Hinge Screw	1/8" Pop Rivet or #8 Counter Sink Fastener

Ship To:
Order Number:



NOTE: PRE-CUT KITS ARE NOT PRE-DRILLED.
(Holes shown in this drawing are for reference only.
Drilling of pilot holes are to be done by fabricator.)

THIS DRAWING WAS CREATED AT NO CHARGE TO ASSIST YOU IN VISUALIZING OUR PROPOSAL. THE DRAWING HEREIN IS THE PROPERTY OF SIGNCOMP. PERMISSION TO COPY OR REVISE THIS DRAWING OR TO USE THIS DRAWING FOR PRODUCTION IS STRICTLY PROHIBITED AND CAN ONLY BE COPIED, REVISED OR USED FOR PRODUCTION WITH THE EXPRESSED WRITTEN PERMISSION OF SIGNCOMP.

DRAWN	Sarah	3/9/2012	SignComp
Centroid X:	0.000 in		
Centroid Y:	0.000 in		
Principal Moments Ix:	0.000 in ⁴		Inner Frame Retainer and 2 Part Outer Frame - Assembly
Principal Moments Iy:	0.000 in ⁴		
Section Modulus Ix:	0.000 in ³		DWG NO
Section Modulus Iy:	0.000 in ³		K2099-1942
			REV

TIP: High bond tape or bonding agents can be used to help secure the hinge to the frame and assist in the installation of the hinge. Be careful not to get the tape on the barrel of the hinge. Doing so may cause the hinge not to open properly.