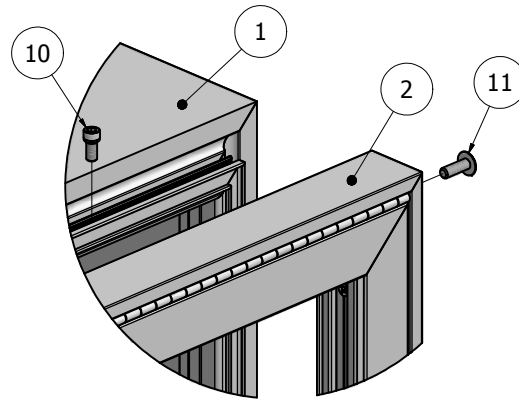
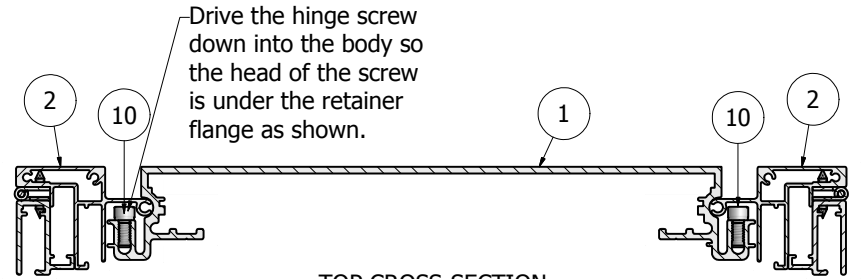
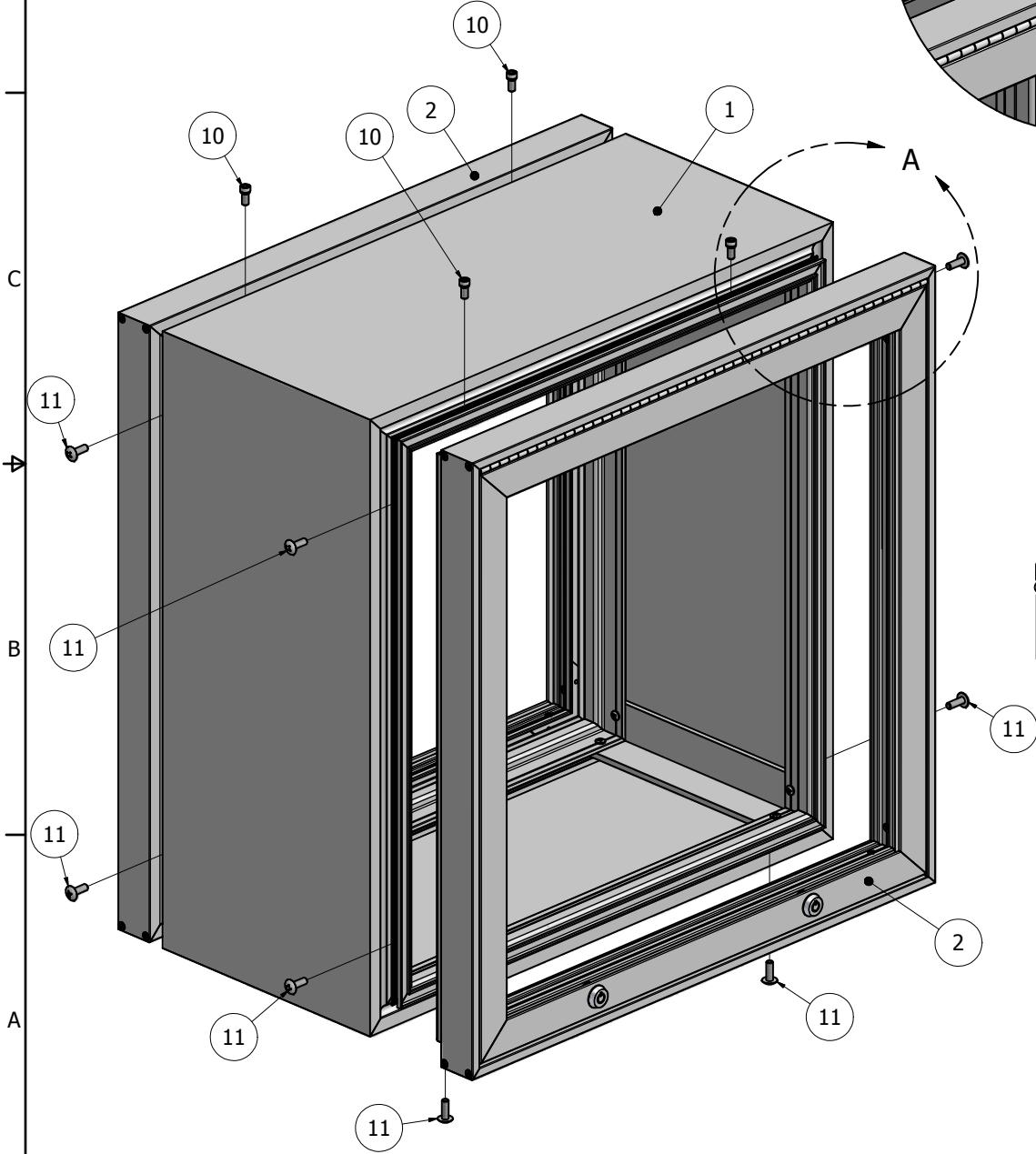
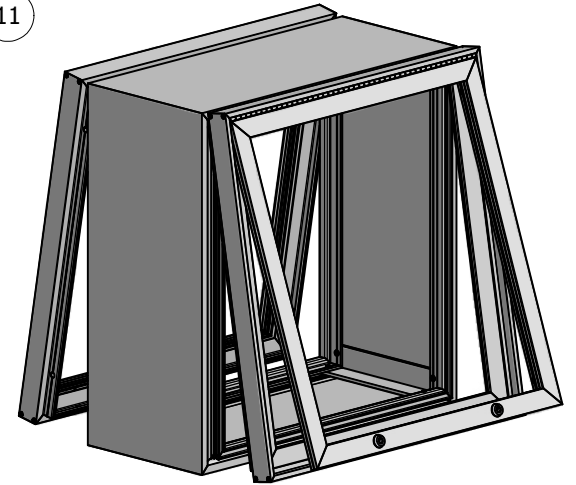


| Parts List | | | |
|------------|----------|--------------------------------------|------------------------|
| ITEM | PART# | DESCRIPTION | NOTES |
| 1 | K2005 | Wide Body | Assembly |
| 2 | K2099/42 | Small Inner and Outer Frame Retainer | Assembly |
| 10 | 5170 | Hinge Screw | Drill 3/8" pilot hole |
| 11 | 5180 | Closure Screw | Drill 5/16" pilot hole |

Ship To:
Order Number:



DETAIL A



TOP CROSS-SECTION

NOTE: PRE-CUT KITS ARE NOT PRE-DRILLED.

(Holes shown in this drawing are for reference only. Drilling of pilot holes are to be done by fabricator.)

THIS DRAWING WAS CREATED AT NO CHARGE TO ASSIST YOU IN VISUALIZING OUR PROPOSAL. THE DRAWING HEREIN IS THE PROPERTY OF SIGNCOMP. PERMISSION TO COPY OR REVISE THIS DRAWING OR TO USE THIS DRAWING FOR PRODUCTION IS STRICTLY PROHIBITED AND CAN ONLY BE COPIED, REVISED OR USED FOR PRODUCTION WITH THE EXPRESSED WRITTEN PERMISSION OF SIGNCOMP.

| | | |
|-----------------------|-----------------------|-----------|
| DRAWN | Sarah | 4/30/2012 |
| Centroid X: | 0.000 in | |
| Centroid Y: | 0.000 in | |
| Principal Moments Ix: | 0.000 in ⁴ | |
| Principal Moments Iy: | 0.000 in ⁴ | |
| Section Modulus Ix: | 0.000 in ³ | |
| Section Modulus Iy: | 0.000 in ³ | |

SignComp

Wide Body w/ Small Inner and Outer Frame Retainer - Assembly

DWG NO **KWB-99-42** REV

| Parts List | | | |
|------------|--------|------------------------|------------------------|
| ITEM | PART # | DESCRIPTION | NOTES |
| 1 | 2005 | Wide Body | Top & Bottom |
| 2 | 2005 | Wide Body | Sides |
| 3 | 5312 | Wide Body Corner Angle | |
| 13 | 5218 | Corner Angle Screw | Drill 5/32" pilot hole |

Ship To:
Order Number:

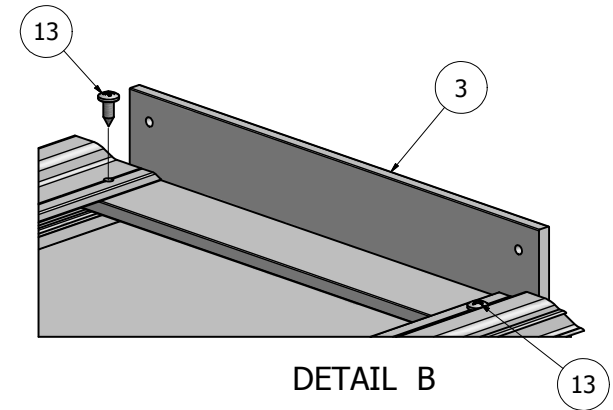
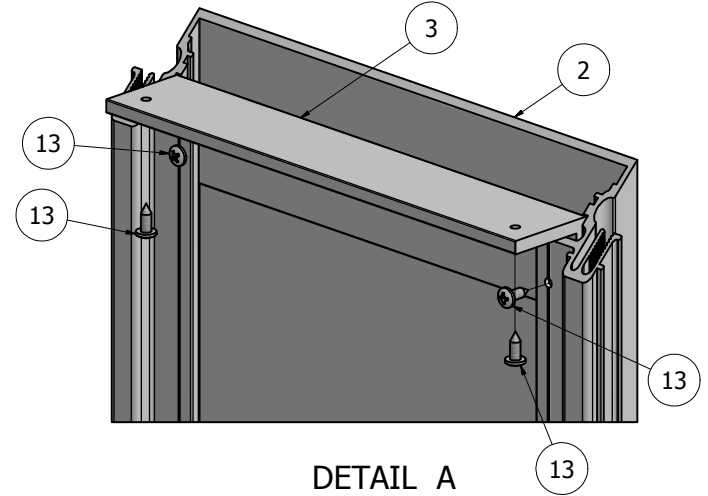
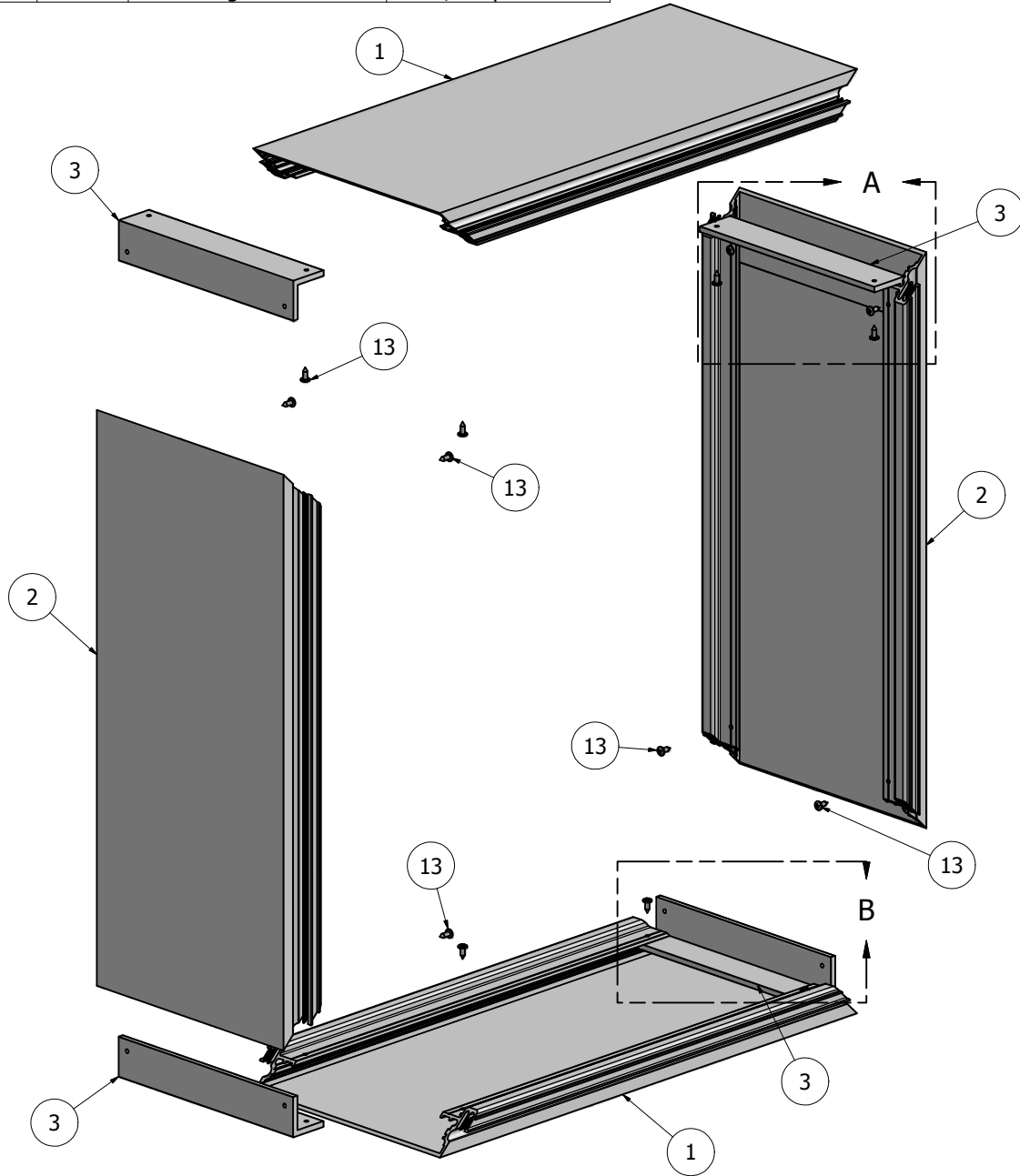
D

C

B

B

A

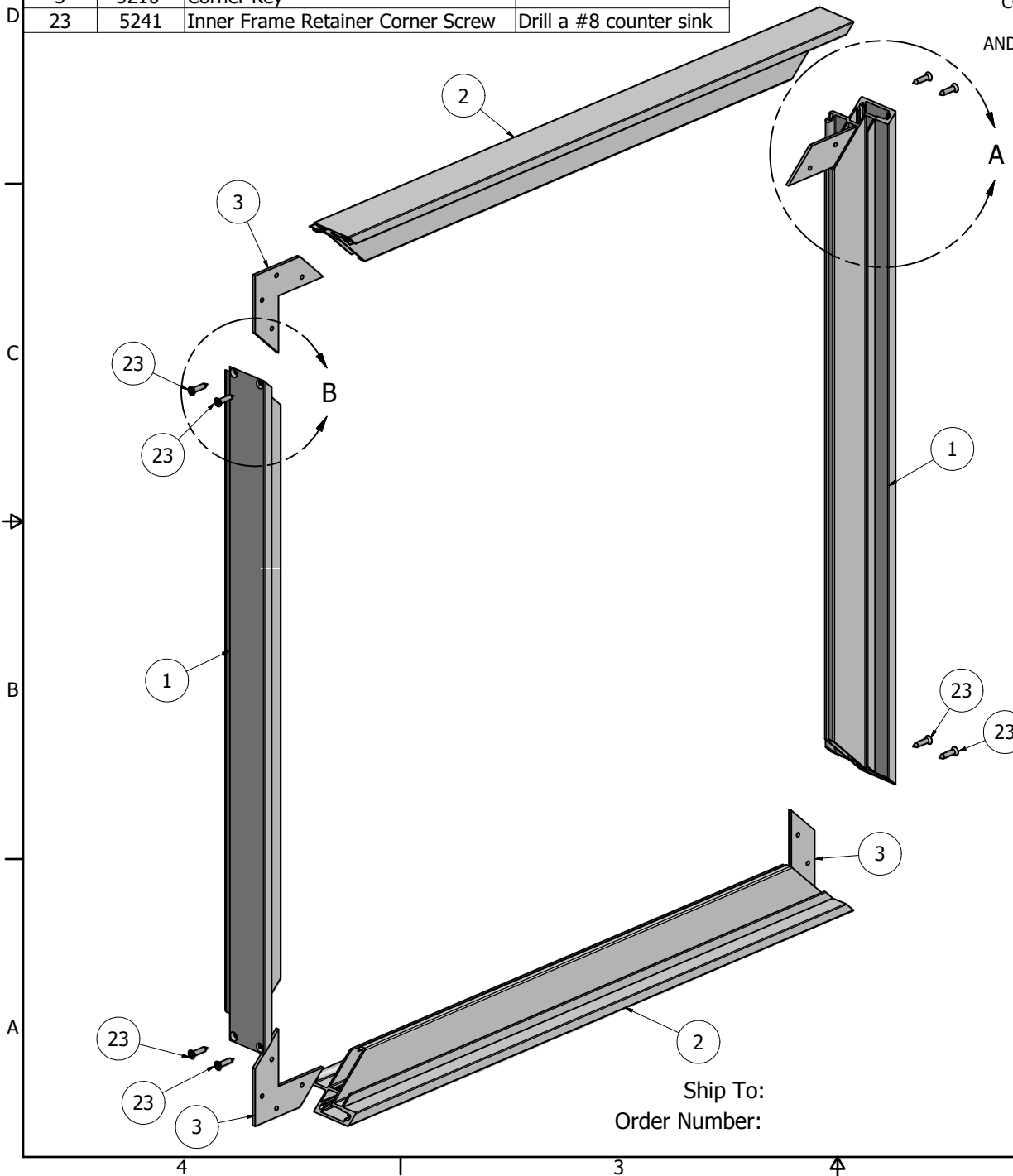


NOTE: PRE-CUT KITS ARE NOT PRE-DRILLED.
(Holes shown in this drawing are for reference only.
Drilling of pilot holes are to be done by fabricator.)

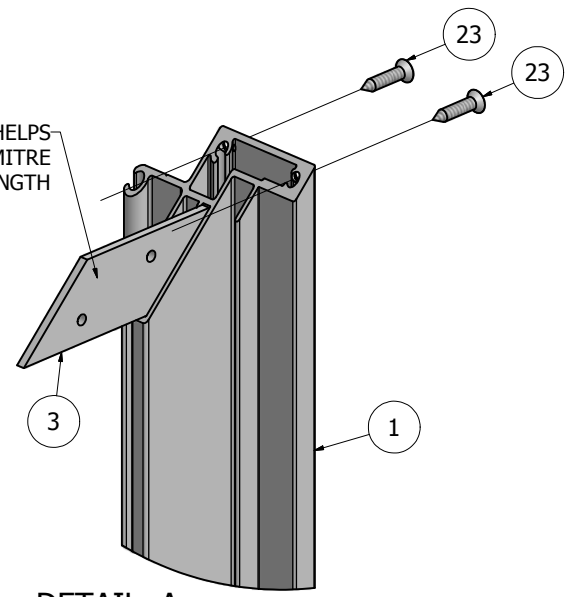
THIS DRAWING WAS CREATED AT NO CHARGE TO ASSIST YOU IN VISUALIZING OUR PROPOSAL. THE DRAWING HEREIN IS THE PROPERTY OF SIGNCOMP. PERMISSION TO COPY OR REVISE THIS DRAWING OR TO USE THIS DRAWING FOR PRODUCTION IS STRICTLY PROHIBITED AND CAN ONLY BE COPIED, REVISED OR USED FOR PRODUCTION WITH THE EXPRESSED WRITTEN PERMISSION OF SIGNCOMP.

| | | | | |
|-----------------------|-----------------------|----------------------|-----------------|-----|
| DRAWN | Sarah | 3/5/2012 | SignComp | |
| Centroid X: | 0.000 in | TITLE | | |
| Centroid Y: | 0.000 in | Wide Body - Assembly | | A |
| Principal Moments Ix: | 0.000 in ⁴ | DWG NO | K2005 | REV |
| Principal Moments Iy: | 0.000 in ⁴ | | | |
| Section Modulus Ix: | 0.000 in ³ | | | |
| Section Modulus Iy: | 0.000 in ³ | | | |

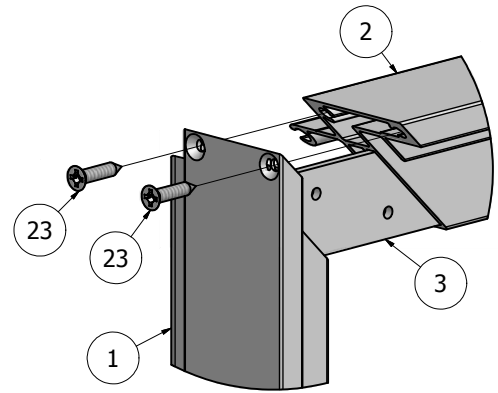
| Parts List | | | |
|------------|-------|-----------------------------------|-------------------------|
| ITEM | PART# | DESCRIPTION | NOTES |
| 1 | 2099 | Inner Frame Retainer | Sides |
| 2 | 2099 | Inner Frame Retainer | Top & Bottom |
| 3 | 5210 | Corner Key | |
| 23 | 5241 | Inner Frame Retainer Corner Screw | Drill a #8 counter sink |



CORNER KEY HELPS
ALIGN THE MITRE
AND ADDS STRENGTH



DETAIL A



DETAIL B

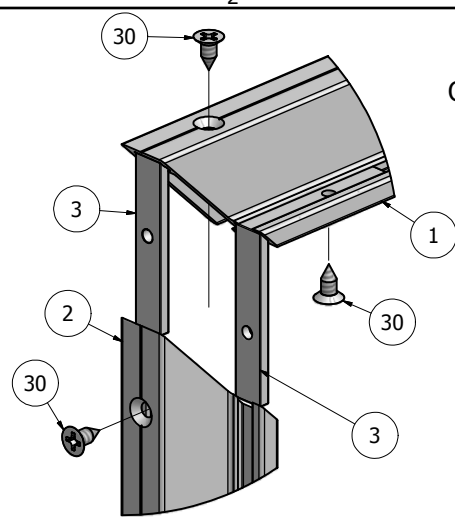
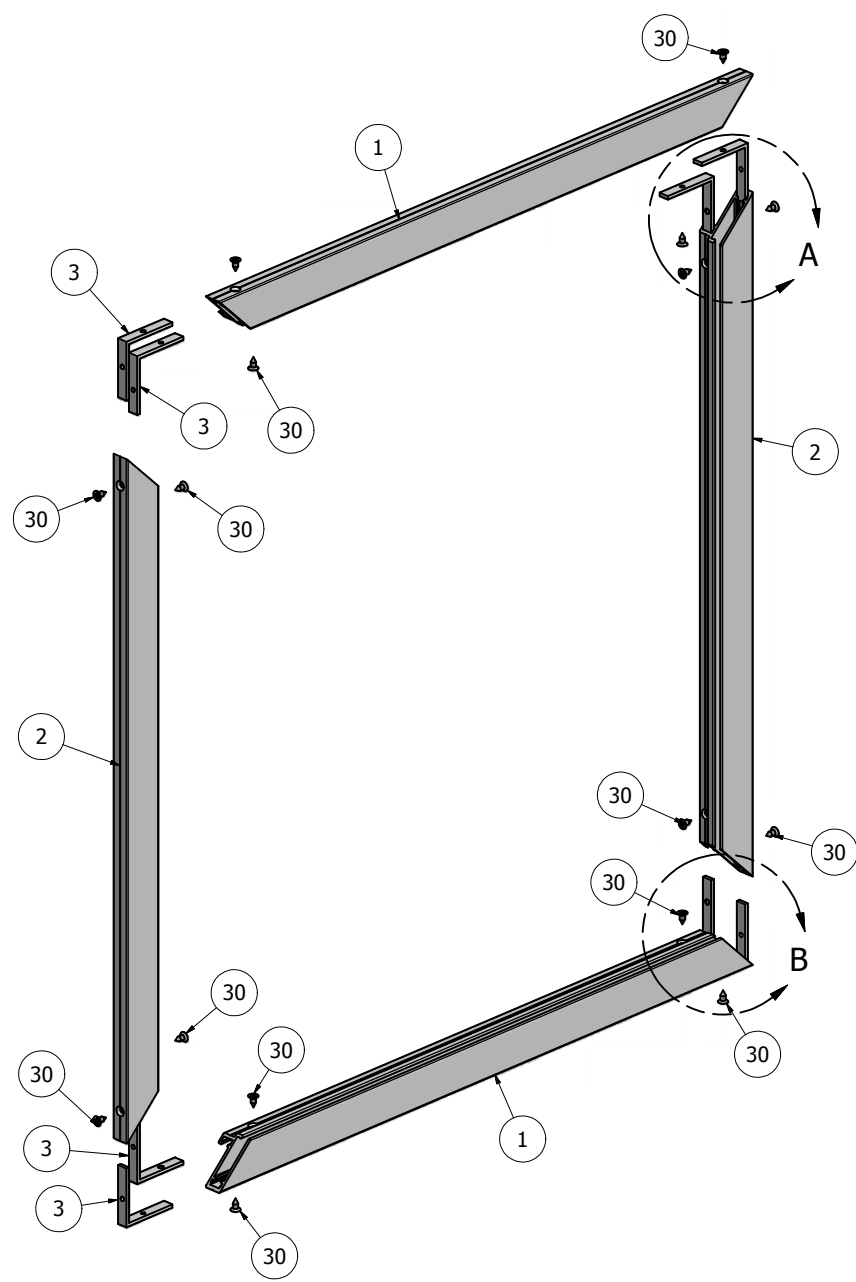
NOTE: PRE-CUT KITS ARE NOT PRE-DRILLED.
(Holes shown in this drawing are for reference only.
Drilling of pilot holes are to be done by fabricator.)

THIS DRAWING WAS CREATED AT NO CHARGE TO ASSIST YOU IN VISUALIZING OUR PROPOSAL. THE DRAWING HEREIN IS THE PROPERTY OF SIGNCOMP. PERMISSION TO COPY OR REVISE THIS DRAWING OR TO USE THIS DRAWING FOR PRODUCTION IS STRICTLY PROHIBITED AND CAN ONLY BE COPIED, REVISED OR USED FOR PRODUCTION WITH THE EXPRESSED WRITTEN PERMISSION OF SIGNCOMP.

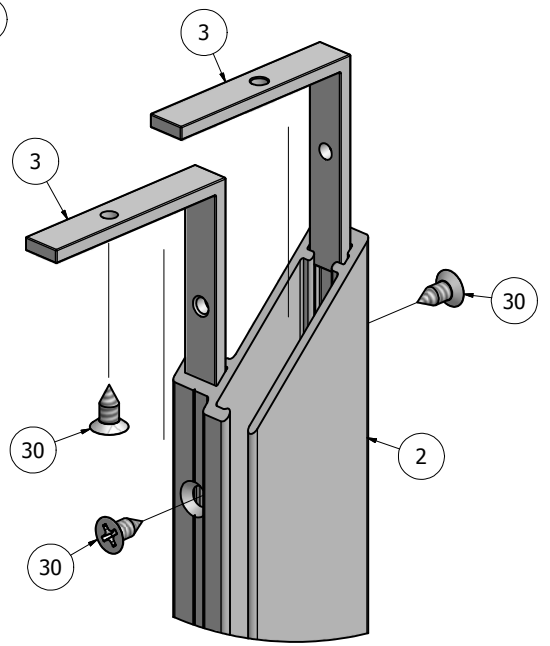
| | | | |
|-----------------------|-----------------------|----------|---------------------------------|
| DRAWN | Sarah | 3/7/2012 | <h1>SignComp</h1> |
| Centroid X: | 0.000 in | | |
| Centroid Y: | 0.000 in | | TITLE |
| Principal Moments Ix: | 0.000 in ⁴ | | Inner Frame Retainer - Assembly |
| Principal Moments Iy: | 0.000 in ⁴ | | DWG NO |
| Section Modulus Ix: | 0.000 in ³ | | K2099 |
| Section Modulus Iy: | 0.000 in ³ | | REV |

Ship To:
Order Number:

| Parts List | | | |
|------------|--------|--------------------------------------|-----------------------|
| ITEM | PART # | DESCRIPTION | NOTES |
| 1 | 1942 | 2Part Outer Frame | Top & Bottom |
| 2 | 1942 | 2Part Outer Frame | Ends |
| 3 | 5975 | 2Part Outer Frame Corner Angle | |
| 30 | 5990 | 2Part Outer Frame Corner Angle Screw | Drill #8 Counter Sink |



DETAIL B
BACK VIEW



DETAIL A

Ship To:
Order Number:

NOTE: PRE-CUT KITS ARE NOT PRE-DRILLED.
(Holes shown in this drawing are for reference only.
Drilling of pilot holes are to be done by fabricator.)

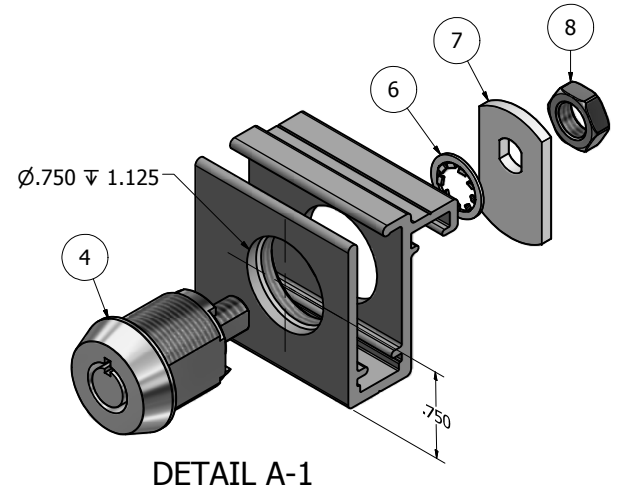
THIS DRAWING WAS CREATED AT NO CHARGE TO ASSIST YOU IN VISUALIZING OUR PROPOSAL. THE DRAWING HEREIN IS THE PROPERTY OF SIGNCOMP. PERMISSION TO COPY OR REVISE THIS DRAWING OR TO USE THIS DRAWING FOR PRODUCTION IS STRICTLY PROHIBITED AND CAN ONLY BE COPIED, REVISED OR USED FOR PRODUCTION WITH THE EXPRESSED WRITTEN PERMISSION OF SIGNCOMP.

| | | |
|----------|-------|-----------|
| DRAWN | Steve | 6/17/2010 |
| CHECKED | | |
| QA | | |
| MFG | | |
| APPROVED | | |

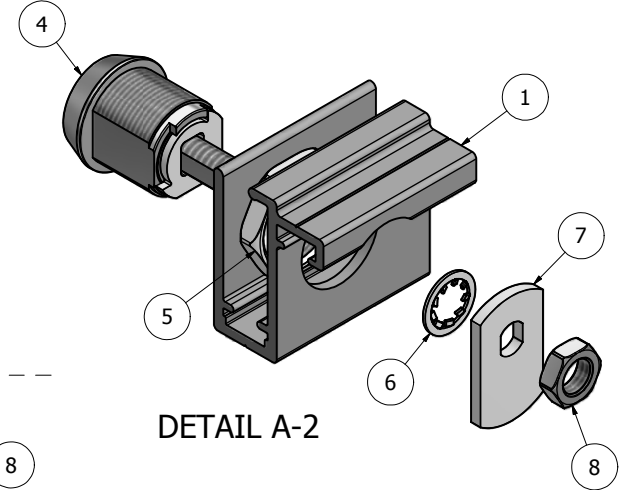
| | | |
|-------------------|--------------|-----|
| <h1>SignComp</h1> | | |
| 2Part Outer Frame | | |
| SIZE | DWG NO | REV |
| C | K1942 | |
| SCALE | SHEET 1 OF 1 | |

| Parts List | | | |
|------------|--------|-------------------|---|
| ITEM | PART # | DESCRIPTION | NOTES |
| 1 | 1942 | 2Part Outer Frame | |
| 2 | | Hinge Fastener | 1/8" Pop Rivet or #8 Counter Sunk Screw |
| 3 | 5996 | 2Part Hinge | |
| 4 | 5994 | 2Part Lock | Drill 3/4" Hole - See Detail "A" |
| 5 | | Lock Nut | |
| 6 | | Lock Washer | |
| 7 | | Cam | |
| 8 | | Cam Nut | |
| 31 | 5990 | Hinge Screw | |

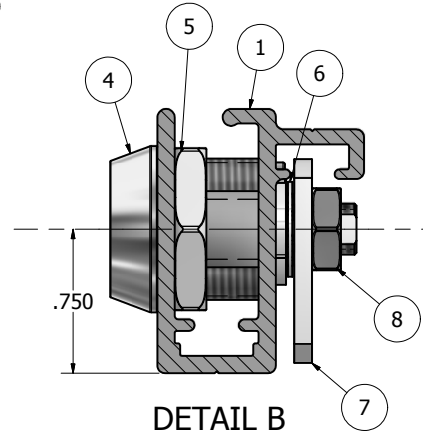
Ship To:
Order Number:



DETAIL A-1



DETAIL A-2



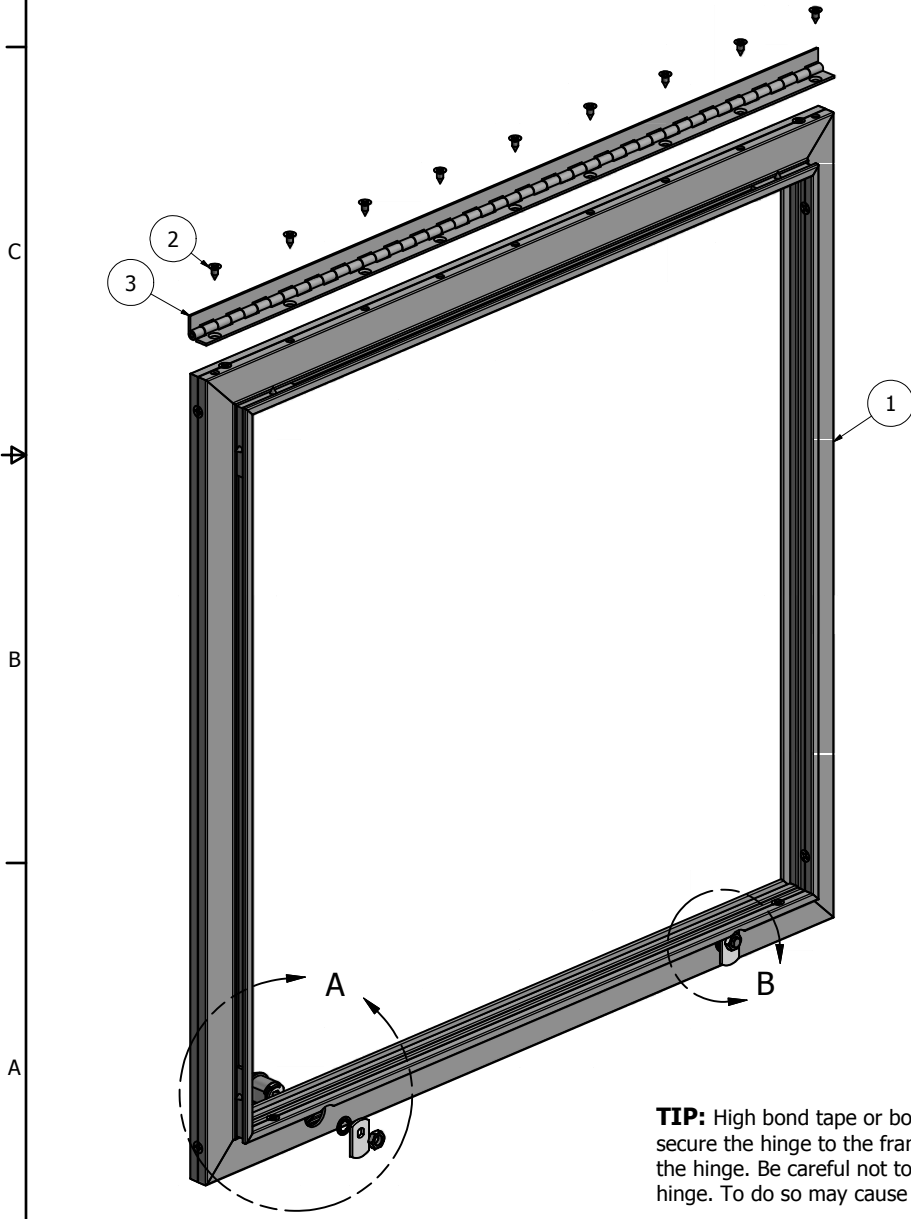
DETAIL B

NOTE: PRE-CUT KITS ARE NOT PRE-DRILLED.
(Holes shown in this drawing are for reference only.
Drilling of pilot holes are to be done by fabricator.)

THIS DRAWING WAS CREATED AT NO CHARGE TO ASSIST YOU IN VISUALIZING OUR PROPOSAL. THE DRAWING HEREIN IS THE PROPERTY OF SIGNCOMP. PERMISSION TO COPY OR REVISE THIS DRAWING OR TO USE THIS DRAWING FOR PRODUCTION IS STRICTLY PROHIBITED AND CAN ONLY BE COPIED, REVISED OR USED FOR PRODUCTION WITH THE EXPRESSED WRITTEN PERMISSION OF SIGNCOMP.

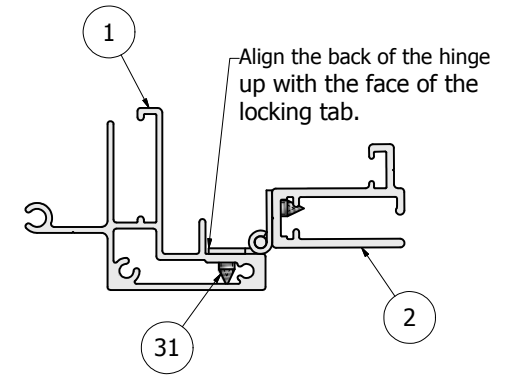
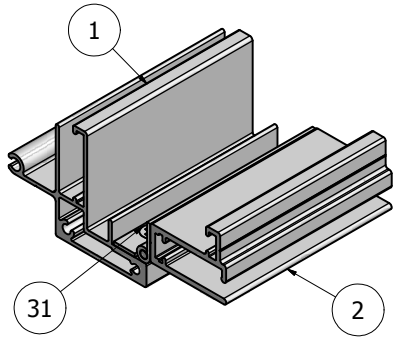
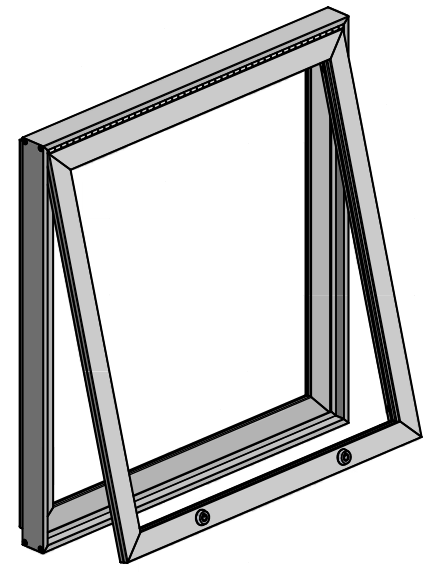
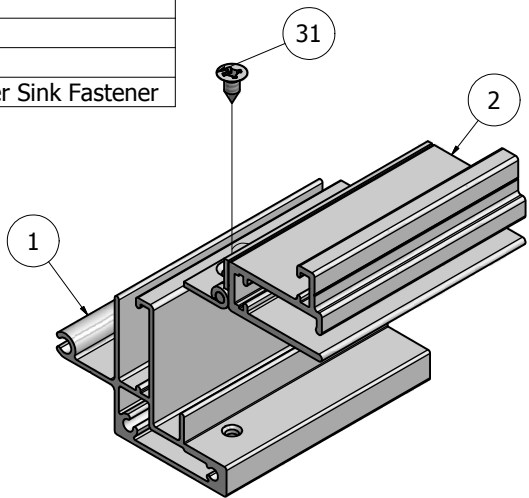
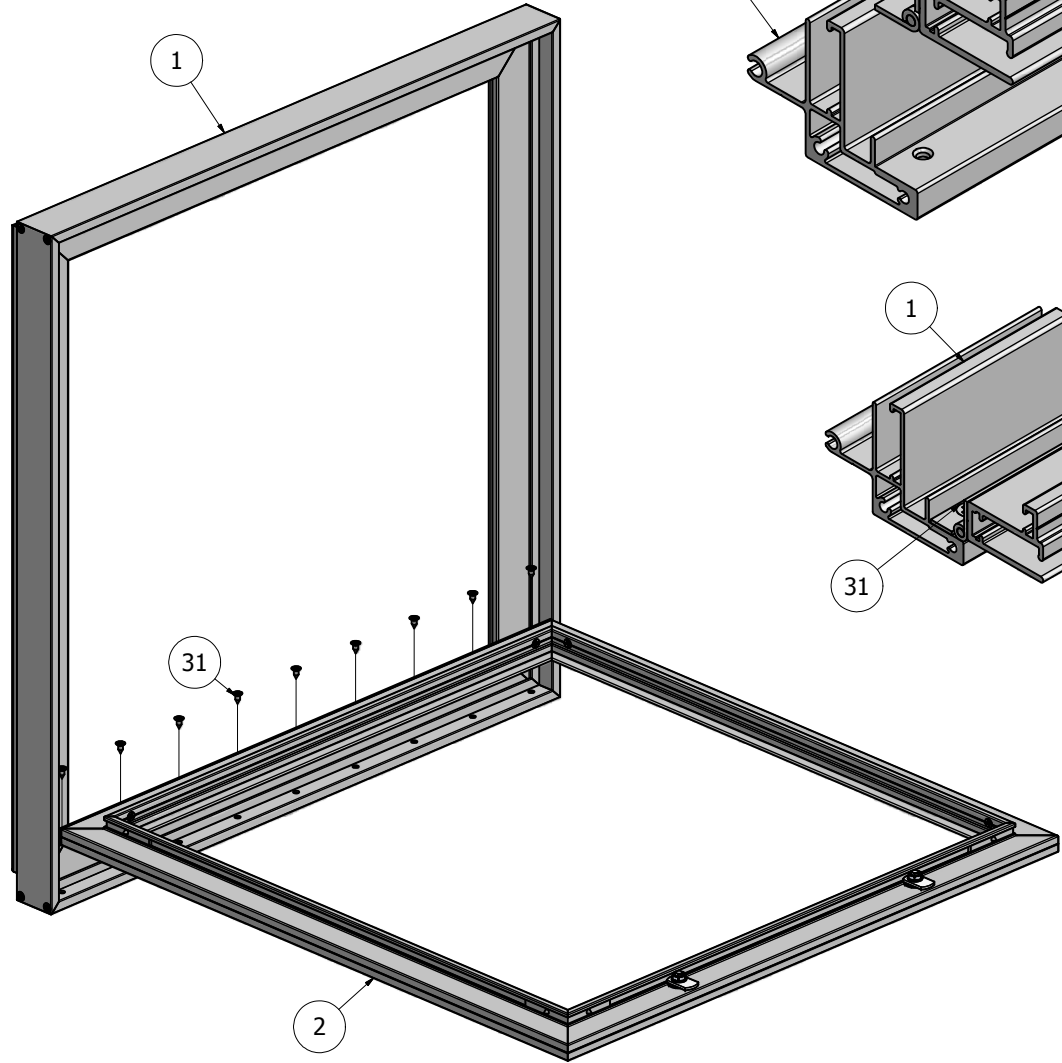
| | | | |
|----------|-----------|---|---------------|
| DRAWN | 6/17/2010 | <h1>SignComp</h1> | |
| CHECKED | | | |
| QA | | TITLE | |
| MFG | | 2Part Outer Frame - 2Part Hinge - 2Part Lock - Assembly | |
| APPROVED | | SIZE | DWG NO |
| | | C | K1942-5994-96 |
| | | SCALE | REV |
| | | | |

TIP: High bond tape or bonding agents can be used to help secure the hinge to the frame and assist in the installation of the hinge. Be careful not to get the tape on the barrel of the hinge. To do so may cause the hinge not to open properly.



| Parts List | | | |
|------------|-------|-------------------------------|--|
| ITEM | PART# | DESCRIPTION | NOTES |
| 1 | K2099 | Inner Frame Retainer | Assembly |
| 2 | K1942 | 2Part Outer Frame | Assembly |
| 31 | 5990 | 2Part Large/Small Hinge Screw | 1/8" Pop Rivet or #8 Counter Sink Fastener |

Ship To:
Order Number:



NOTE: PRE-CUT KITS ARE NOT PRE-DRILLED.
(Holes shown in this drawing are for reference only.
Drilling of pilot holes are to be done by fabricator.)

THIS DRAWING WAS CREATED AT NO CHARGE TO ASSIST YOU IN VISUALIZING OUR PROPOSAL. THE DRAWING HEREIN IS THE PROPERTY OF SIGNCOMP. PERMISSION TO COPY OR REVISE THIS DRAWING OR TO USE THIS DRAWING FOR PRODUCTION IS STRICTLY PROHIBITED AND CAN ONLY BE COPIED, REVISED OR USED FOR PRODUCTION WITH THE EXPRESSED WRITTEN PERMISSION OF SIGNCOMP.

| | | | |
|-----------------------|-----------------------|----------|--|
| DRAWN | Sarah | 3/9/2012 | SignComp |
| Centroid X: | 0.000 in | | |
| Centroid Y: | 0.000 in | | |
| Principal Moments Ix: | 0.000 in ⁴ | | Inner Frame Retainer and 2 Part Outer Frame - Assembly |
| Principal Moments Iy: | 0.000 in ⁴ | | |
| Section Modulus Ix: | 0.000 in ³ | | DWG NO |
| Section Modulus Iy: | 0.000 in ³ | | K2099-1942 |
| | | | REV |

TIP: High bond tape or bonding agents can be used to help secure the hinge to the frame and assist in the installation of the hinge. Be careful not to get the tape on the barrel of the hinge. Doing so may cause the hinge not to open properly.