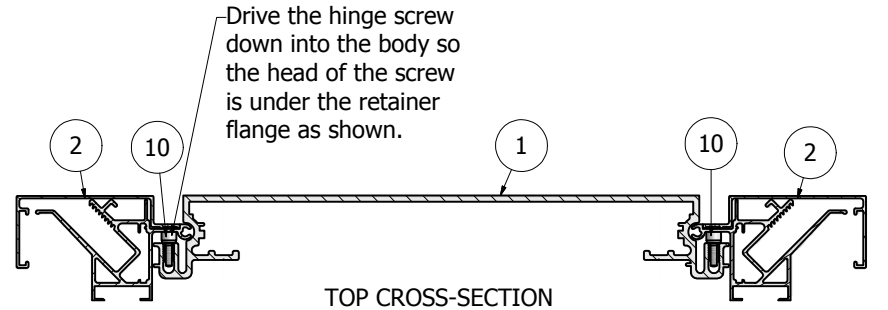
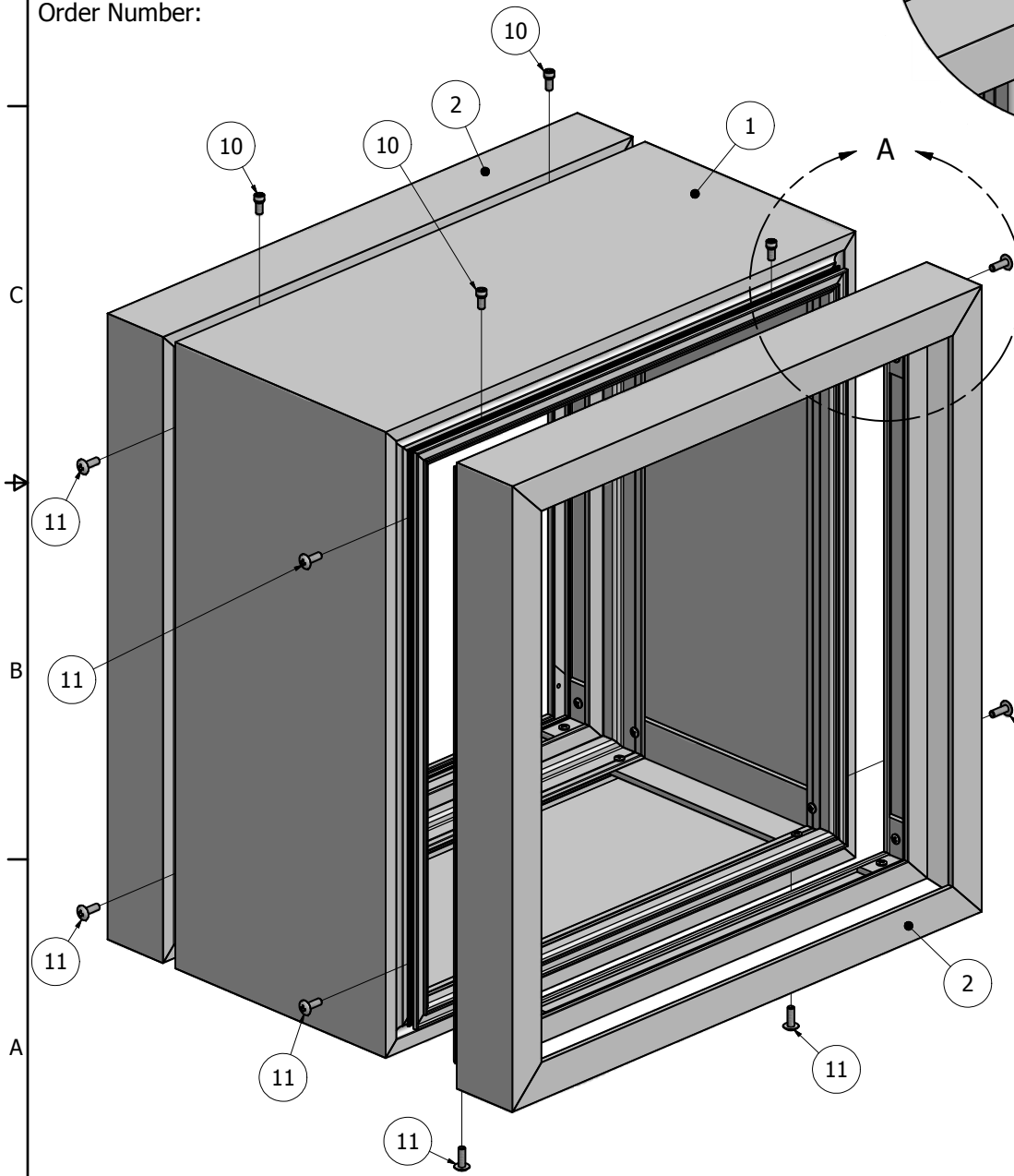
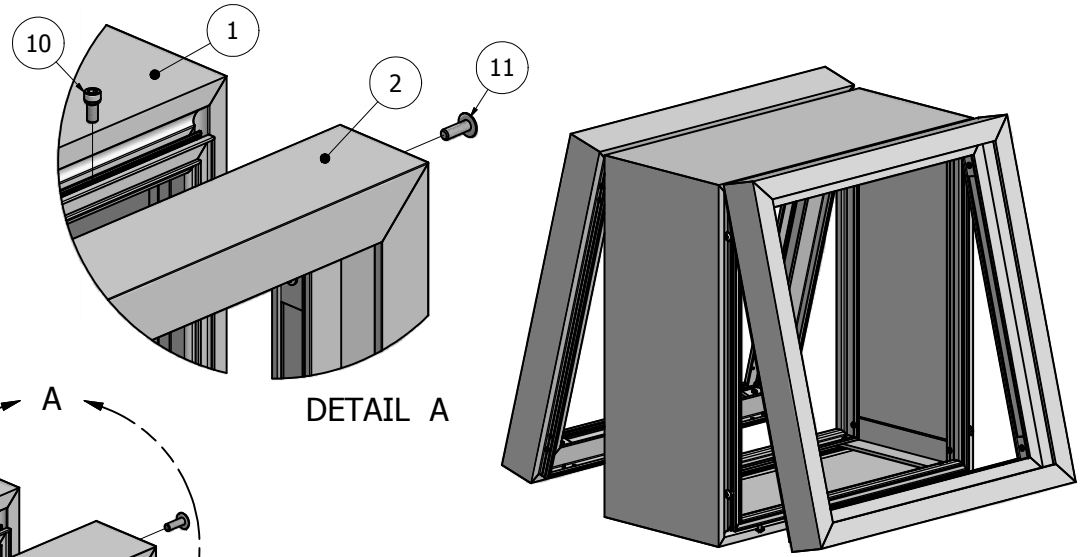


Parts List			
ITEM	PART#	DESCRIPTION	NOTES
1	K2005	Wide Body	Assembly
2	K2085/84	Tension Frame and 1-1/2" Frame Cover	Assembly
10	5170	Hinge Screw	Drill 3/8" pilot hole
11	5180	Closure Screw	Drill 5/16" pilot hole

Ship To:
Order Number:



NOTE: PRE-CUT KITS ARE NOT PRE-DRILLED.
(Holes shown in this drawing are for reference only.
Drilling of pilot holes are to be done by fabricator.)

THIS DRAWING WAS CREATED AT NO CHARGE TO ASSIST YOU IN VISUALIZING OUR PROPOSAL. THE DRAWING HEREIN IS THE PROPERTY OF SIGNCOMP. PERMISSION TO COPY OR REVISE THIS DRAWING OR TO USE THIS DRAWING FOR PRODUCTION IS STRICTLY PROHIBITED AND CAN ONLY BE COPIED, REVISED OR USED FOR PRODUCTION WITH THE EXPRESSED WRITTEN PERMISSION OF SIGNCOMP.		
DRAWN	Sarah	4/18/2012
Centroid X:	0.000 in	
Centroid Y:	0.000 in	
Principal Moments Ix:	0.000 in ⁴	
Principal Moments Iy:	0.000 in ⁴	
Section Modulus Ix:	0.000 in ³	
Section Modulus Iy:	0.000 in ³	
<h1 style="text-align: center;">SignComp</h1>		TITLE
		Wide Body w/ Tension Frame and 1-1/2" Frame Cover - Assembly
DWG NO		REV
KWB-85-84		
SHEET 1 OF 1		

Parts List			
ITEM	PART #	DESCRIPTION	NOTES
1	2005	Wide Body	Top & Bottom
2	2005	Wide Body	Sides
3	5312	Wide Body Corner Angle	
13	5218	Corner Angle Screw	Drill 5/32" pilot hole

Ship To:
Order Number:

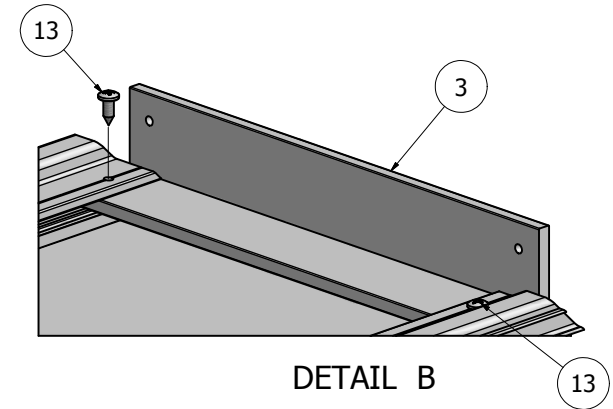
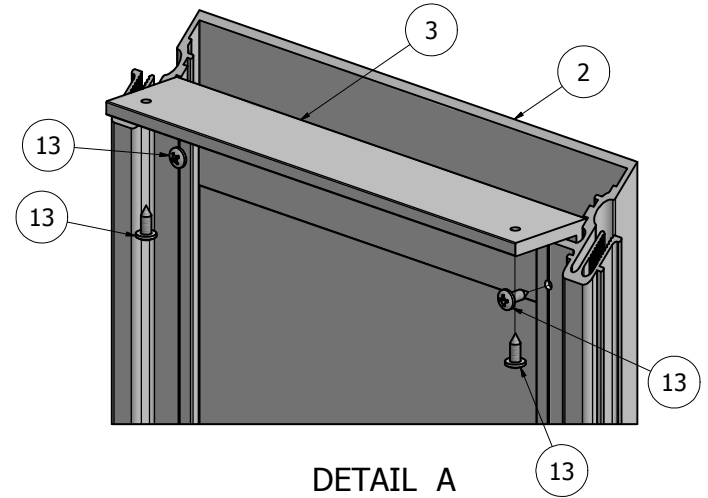
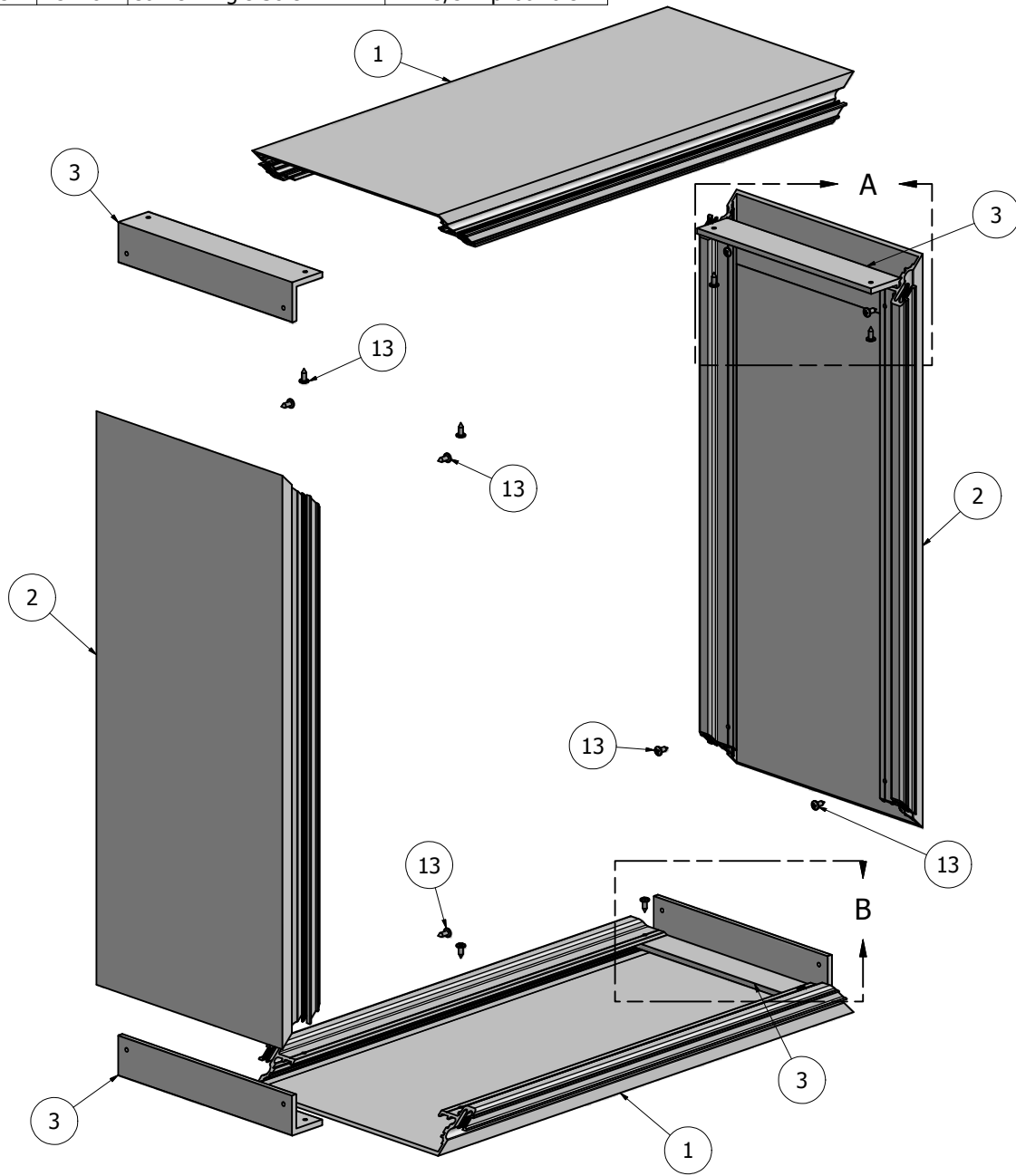
D

C

B

B

A



NOTE: PRE-CUT KITS ARE NOT PRE-DRILLED.
(Holes shown in this drawing are for reference only.
Drilling of pilot holes are to be done by fabricator.)

THIS DRAWING WAS CREATED AT NO CHARGE TO ASSIST YOU IN VISUALIZING OUR PROPOSAL. THE DRAWING HEREIN IS THE PROPERTY OF SIGNCOMP. PERMISSION TO COPY OR REVISE THIS DRAWING OR TO USE THIS DRAWING FOR PRODUCTION IS STRICTLY PROHIBITED AND CAN ONLY BE COPIED, REVISED OR USED FOR PRODUCTION WITH THE EXPRESSED WRITTEN PERMISSION OF SIGNCOMP.			
DRAWN	Sarah	3/5/2012	
Centroid X:	0.000 in	TITLE	
Centroid Y:	0.000 in		
Principal Moments Ix:	0.000 in ⁴	Wide Body - Assembly	
Principal Moments Iy:	0.000 in ⁴		
Section Modulus Ix:	0.000 in ³	DWG NO	REV
Section Modulus Iy:	0.000 in ³	K2005	
			SHEET 1 OF 1

D

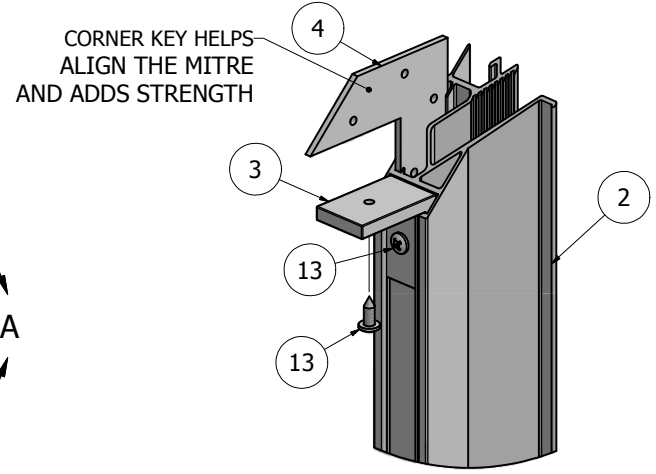
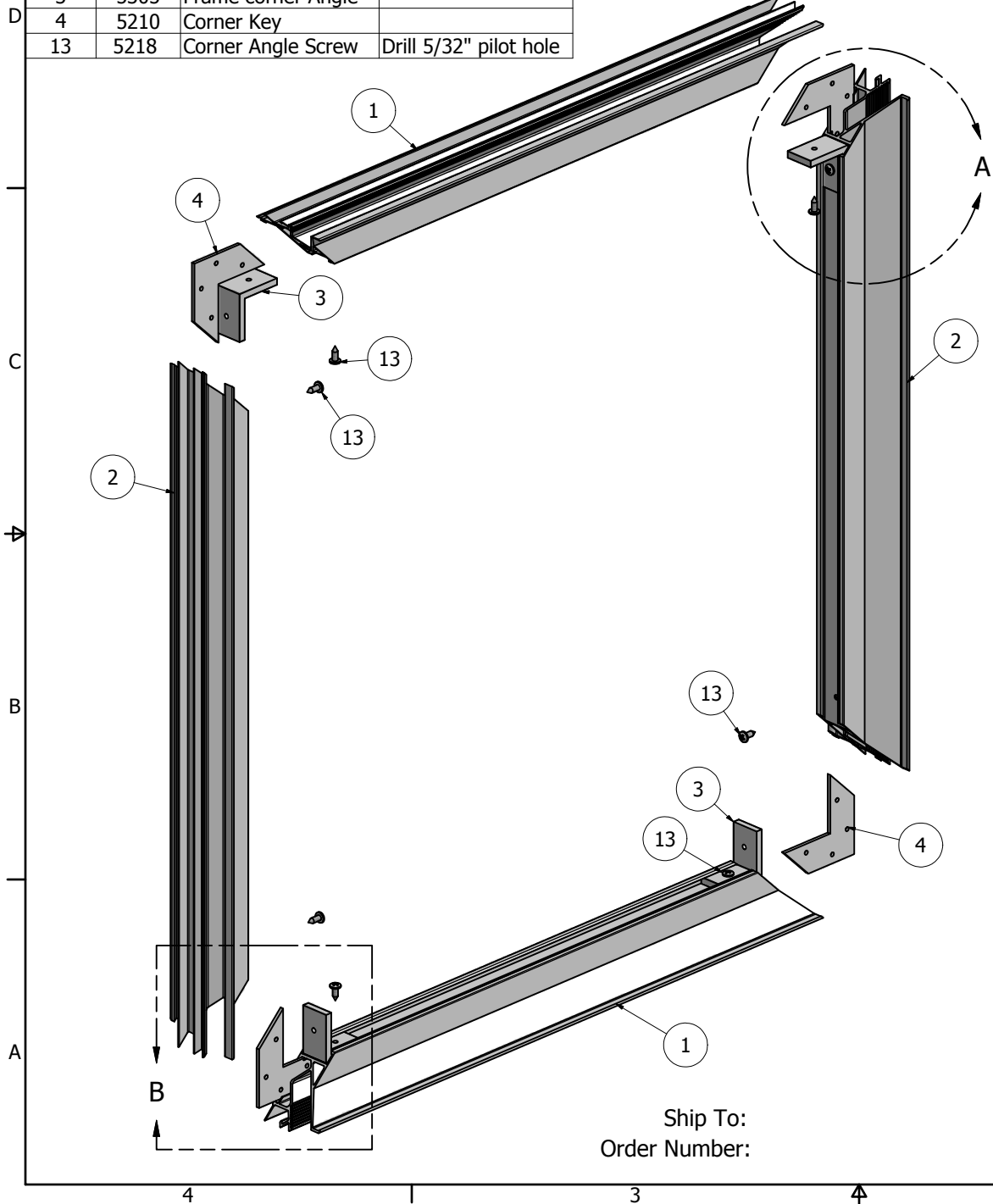
C

B

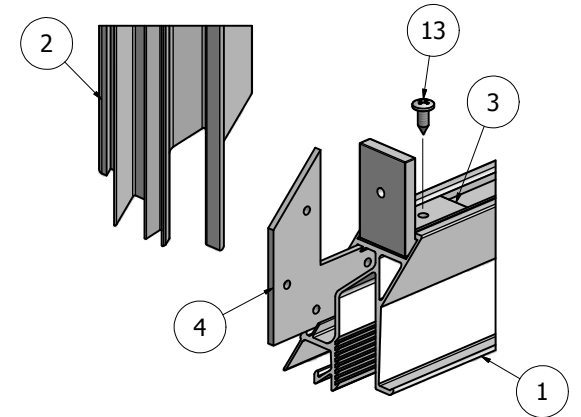
B

A

Parts List			
ITEM	PART#	DESCRIPTION	NOTES
1	2085	Tension Frame	Top & Bottom
2	2085	Tension Frame	Sides
3	5305	Frame corner Angle	
4	5210	Corner Key	
13	5218	Corner Angle Screw	Drill 5/32" pilot hole



DETAIL A



DETAIL B

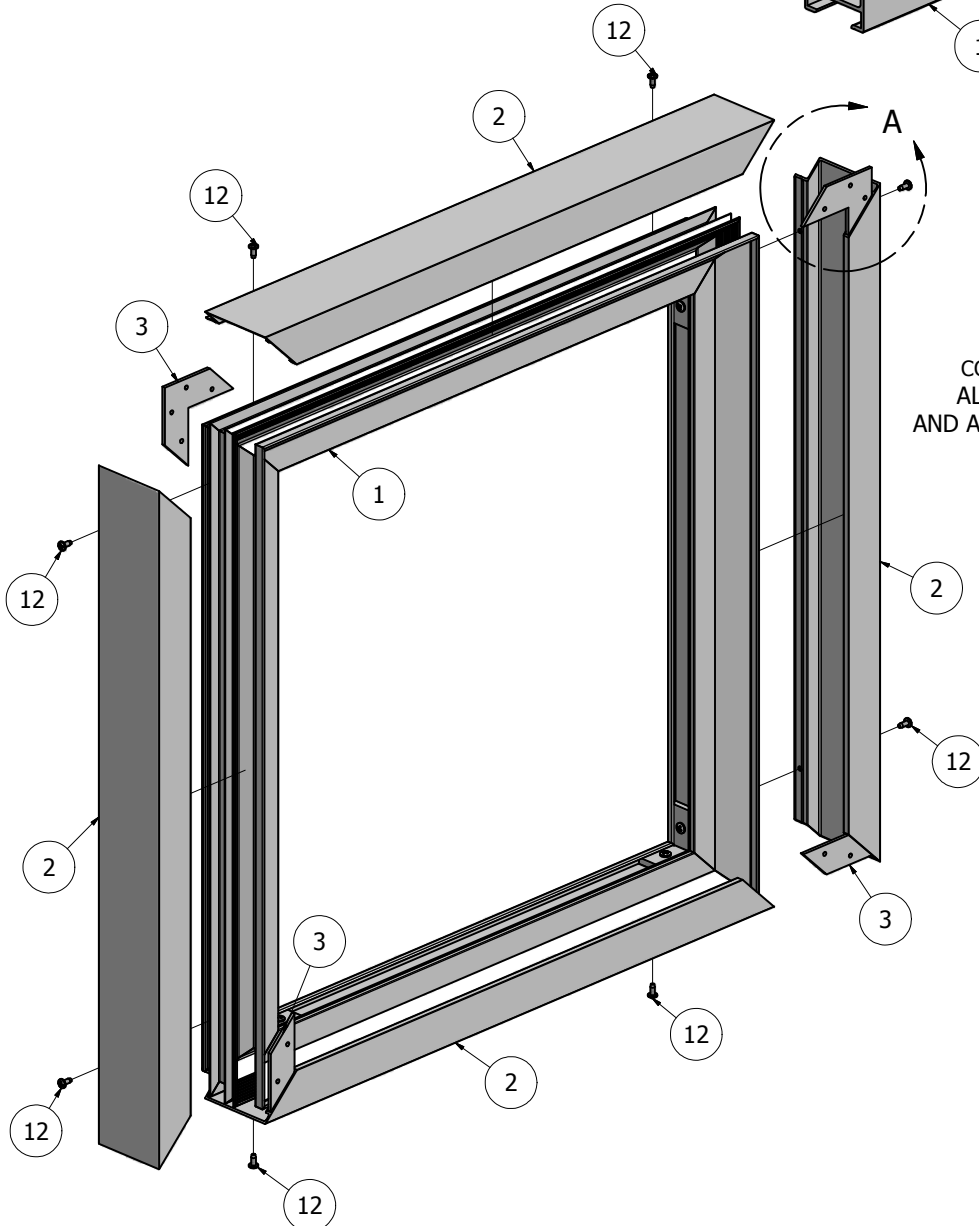
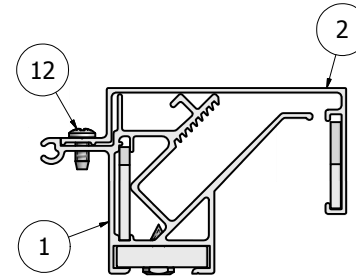
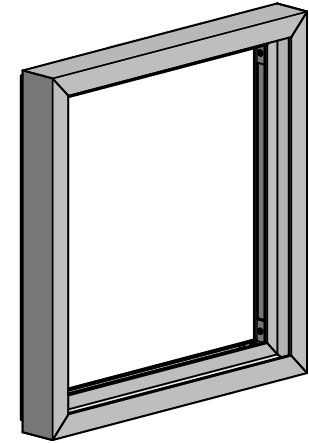
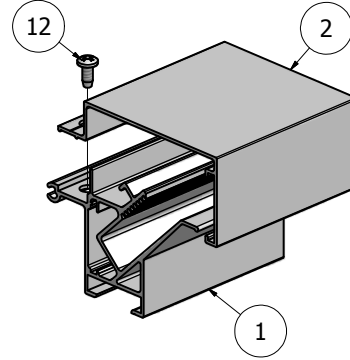
NOTE: PRE-CUT KITS ARE NOT PRE-DRILLED.
 (Holes shown in this drawing are for reference only.
 Drilling of pilot holes are to be done by fabricator.)

THIS DRAWING WAS CREATED AT NO CHARGE TO ASSIST YOU IN VISUALIZING OUR PROPOSAL. THE DRAWING HEREIN IS THE PROPERTY OF SIGNCOMP. PERMISSION TO COPY OR REVISE THIS DRAWING OR TO USE THIS DRAWING FOR PRODUCTION IS STRICTLY PROHIBITED AND CAN ONLY BE COPIED, REVISED OR USED FOR PRODUCTION WITH THE EXPRESSED WRITTEN PERMISSION OF SIGNCOMP.				
DRAWN	Sarah	3/6/2012		
Centroid X:	0.000 in	TITLE		
Centroid Y:	0.000 in			
Principal Moments Ix:	0.000 in ⁴	Bleed Tension Frame - Assembly		
Principal Moments Iy:	0.000 in ⁴			
Section Modulus Ix:	0.000 in ³	DWG NO	K2085	REV
Section Modulus Iy:	0.000 in ³	SHEET 1 OF 1		

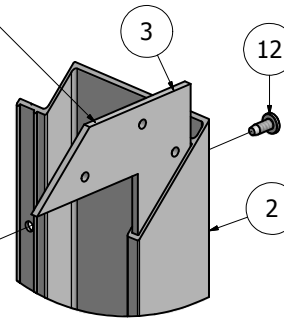
Ship To:
Order Number:

Parts List			
ITEM	PART#	DESCRIPTION	NOTES
1	K2085	Tension Frame	Assembly
2	K2084	1-1/2" Tension Frame Cover	Assembly
3	5210	Corner Key	
12	5195	Cover Screw	Pre-drill 3/32" hole

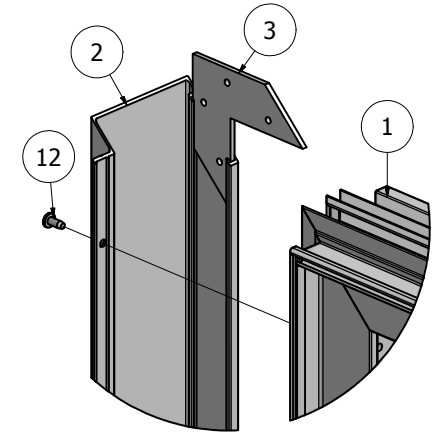
Ship To:
Order Number:



CORNER KEY HELPS
ALIGN THE MITRE
AND ADDS STRENGTH



DETAIL A
FRONT VIEW



DETAIL A
BACK VIEW

NOTE: PRE-CUT KITS ARE NOT PRE-DRILLED.
(Holes shown in this drawing are for reference only.
Drilling of pilot holes are to be done by fabricator.)

THIS DRAWING WAS CREATED AT NO CHARGE TO ASSIST YOU IN VISUALIZING OUR PROPOSAL. THE DRAWING HEREIN IS THE PROPERTY OF SIGNCOMP. PERMISSION TO COPY OR REVISE THIS DRAWING OR TO USE THIS DRAWING FOR PRODUCTION IS STRICTLY PROHIBITED AND CAN ONLY BE COPIED, REVISED OR USED FOR PRODUCTION WITH THE EXPRESSED WRITTEN PERMISSION OF SIGNCOMP.

DRAWN	Sarah	3/12/2012
Centroid X:	0.000 in	
Centroid Y:	0.000 in	
Principal Moments Ix:	0.000 in ⁴	
Principal Moments Iy:	0.000 in ⁴	
Section Modulus Ix:	0.000 in ³	
Section Modulus Iy:	0.000 in ³	

SignComp

TENSION
TITLE
Tension Frame and 1-1/2" Tension Frame
Cover - Assembly

DWG NO

K2085-84

REV