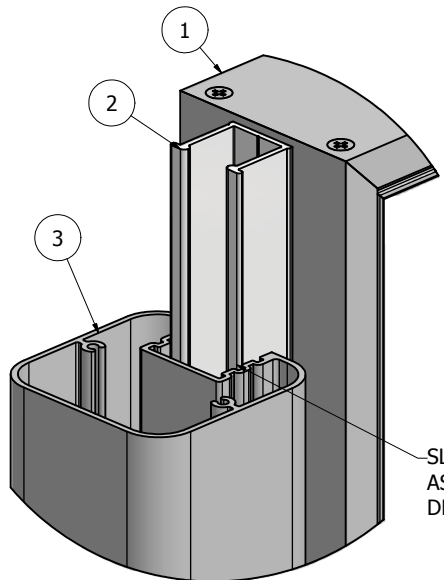
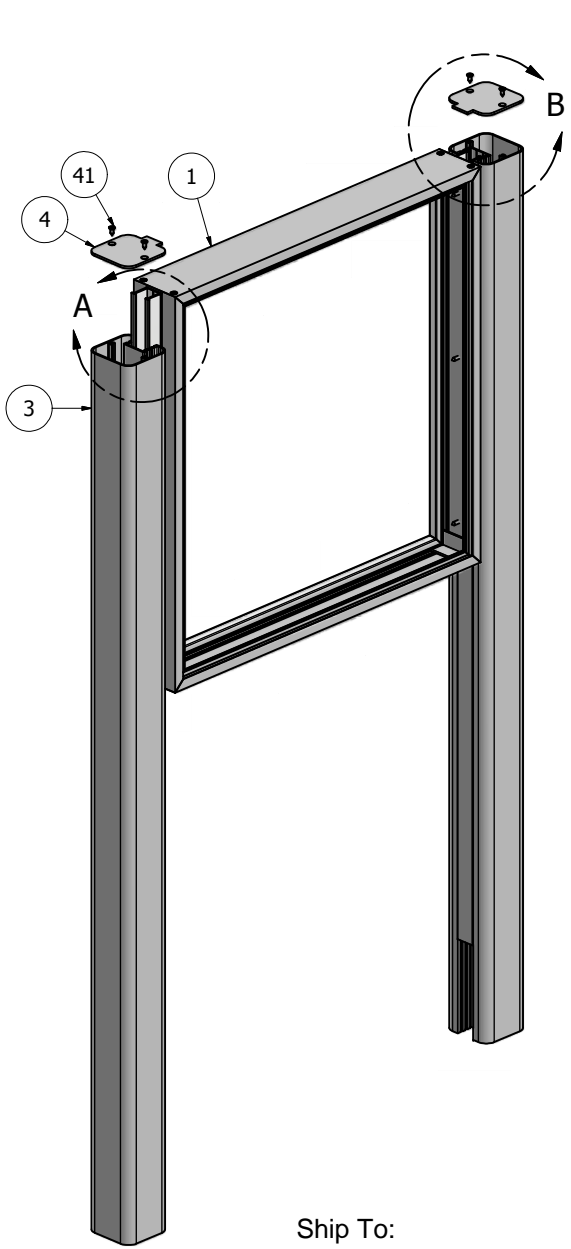
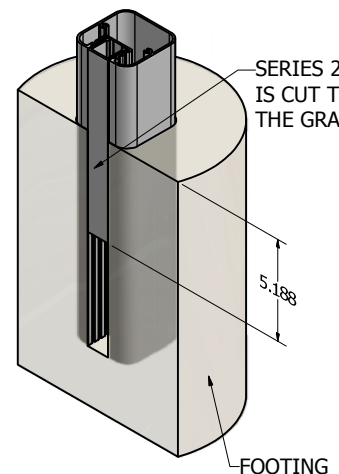


		Parts List	
ITEM	PART #	DESCRIPTION	NOTES
1	1260	Series 3 Slide Body - Assembly	Slide assembly into post
2	1200	Series 2/3 Reveal	Attached to body
3	1235	Series 3 Square Post with Radius Edges	
4	Post Cap	Series 3 Square Post with Radius Edges Cap	Zero Reveal Part #5410, 3/8" Reveal Part #5411, 3/4" Reveal Part #5412
41	5040	Post Cap Screw	2 - #10 x 1/2" counter sunk phillips head screws per post



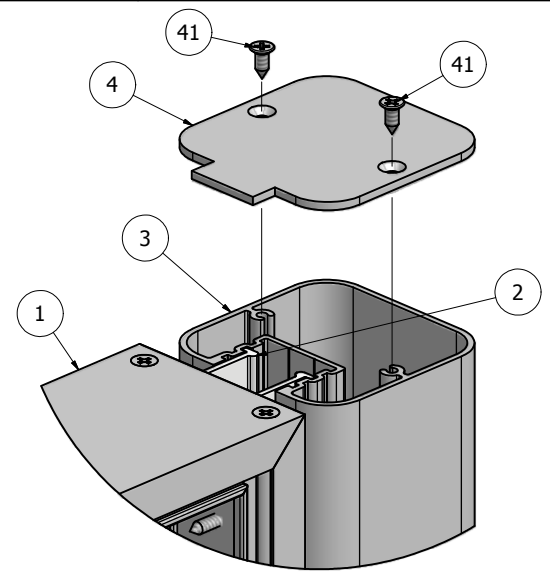
DETAIL A

SLIDE THE BODY/CABINET ASSEMBLY INTO THE DESIRED REVEAL POSITION.

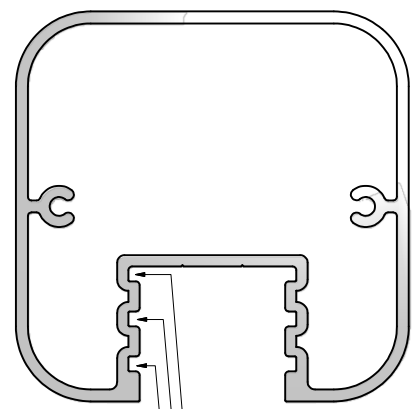


SERIES 2/3 REVEAL/FILLER IS CUT TO FIT 6" BELOW THE GRADE.

FOOTING



DETAIL B



ZERO REVEAL  
3/8" REVEAL  
3/4" REVEAL

**NOTE: PRE-CUT KITS ARE NOT PRE-DRILLED.**  
(Holes shown in this drawing are for reference only. Drilling of pilot holes are to be done by fabricator.)

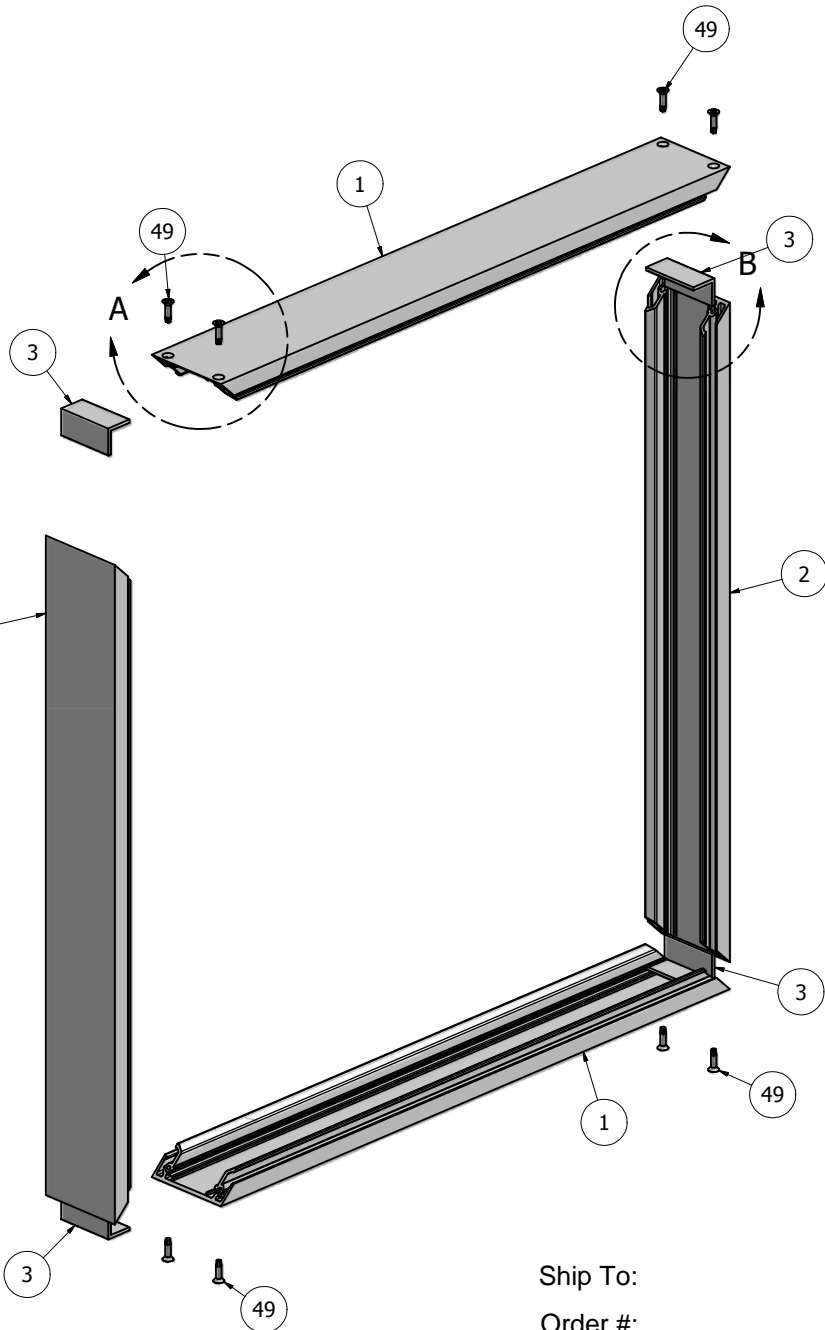
THIS DRAWING WAS CREATED AT NO CHARGE TO ASSIST YOU IN VISUALIZING OUR PROPOSAL. THE DRAWING HEREIN IS THE PROPERTY OF SIGNCOMP. PERMISSION TO COPY OR REVISE THIS DRAWING OR TO USE THIS DRAWING FOR PRODUCTION IS STRICTLY PROHIBITED AND CAN ONLY BE COPIED, REVISED OR USED FOR PRODUCTION WITH THE EXPRESSED WRITTEN PERMISSION OF SIGNCOMP.

DRAWN	5/25/2010
Steve	
CHECKED	
QA	
MFG	
APPROVED	

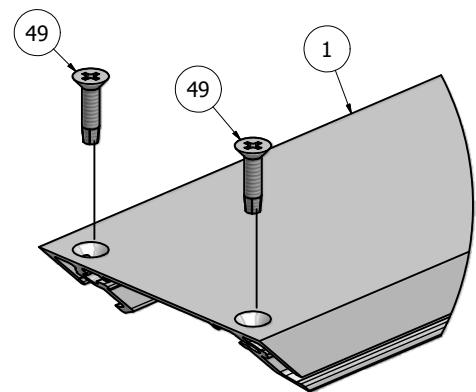
<b>SignComp</b>		
TITLE Series 3 Slide Body - Series 3 Square Post with Radius Edges - Assembly		
SIZE C	DWG NO K1260-35-00	REV
SCALE	SHEET 1 OF 1	

Ship To:  
Order #:

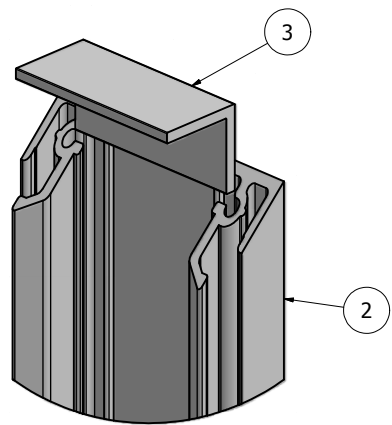
Parts List			
ITEM	PART #	DESCRIPTION	NOTES
1	1260	Series 3 Slide Body	Top & Bottom
2	1260	Series 3 Slide Body	Sides
3	5335	Series 3 Slide Body Corner Angle	
49	5240	Slide Body Corner Screw	#10 Counter Sink



Ship To:  
Order #:



DETAIL A



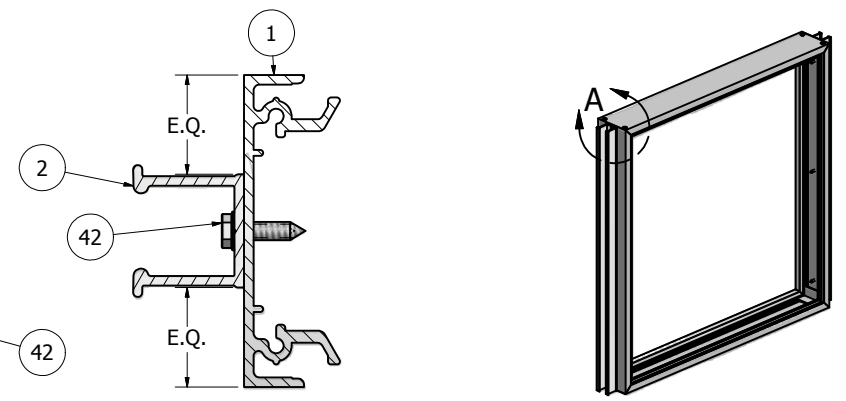
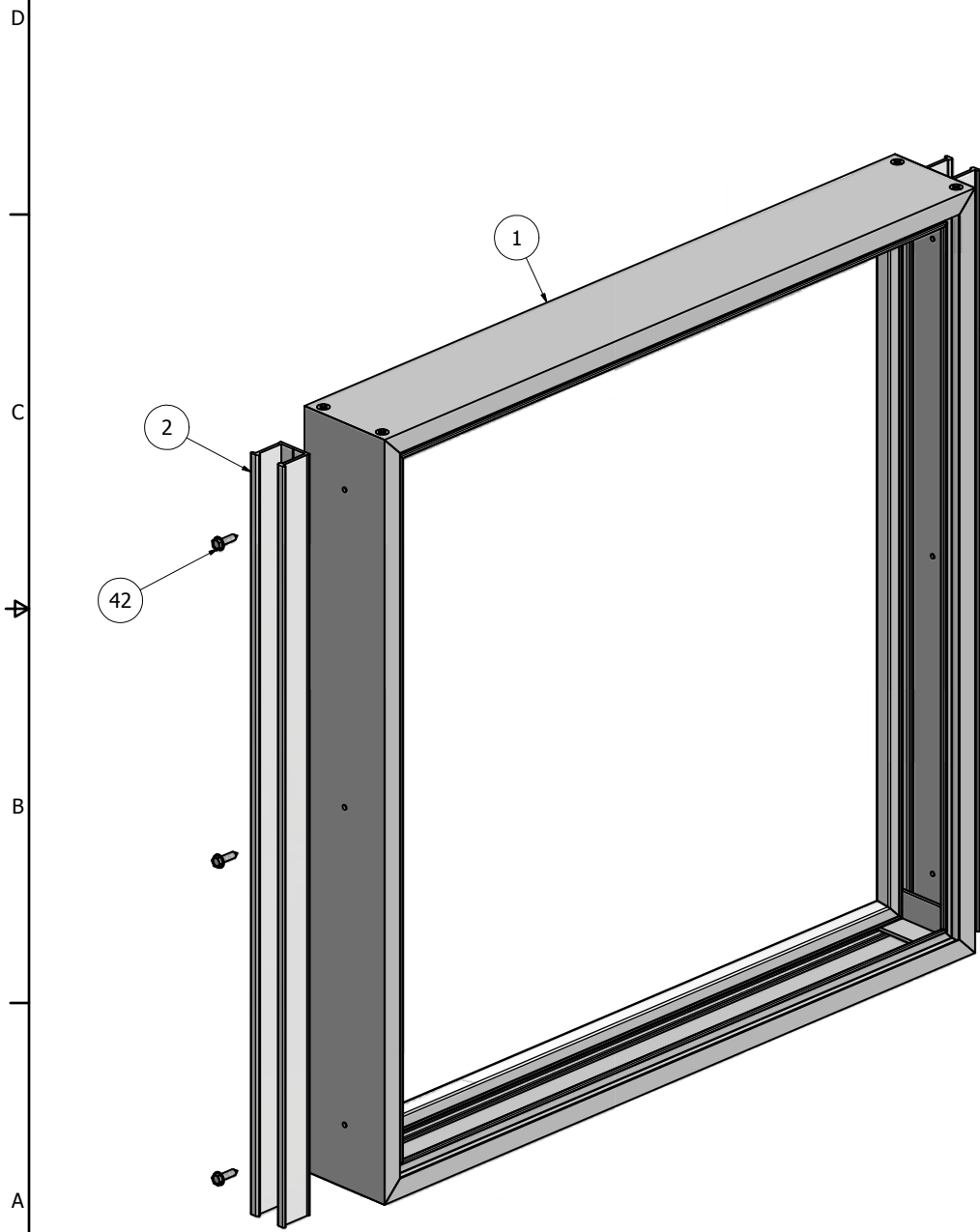
DETAIL B

**NOTE: PRE-CUT KITS ARE NOT PRE-DRILLED.**  
(Holes shown in this drawing are for reference only.  
Drilling of pilot holes are to be done by fabricator.)

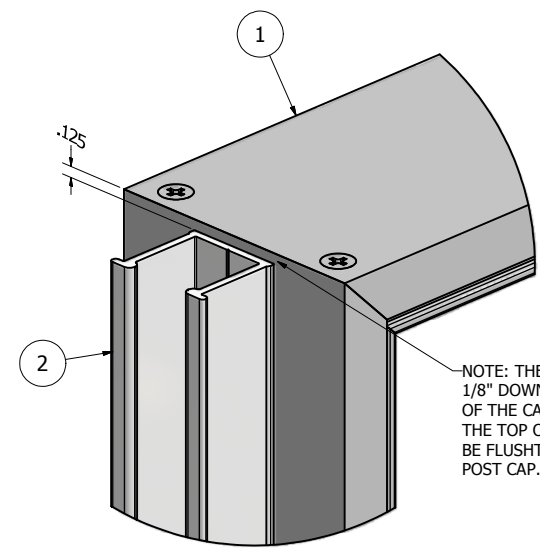
THIS DRAWING WAS CREATED AT NO CHARGE TO ASSIST YOU IN VISUALIZING OUR PROPOSAL. THE DRAWING HEREIN IS THE PROPERTY OF SIGNCOMP. PERMISSION TO COPY OR REVISE THIS DRAWING OR TO USE THIS DRAWING FOR PRODUCTION IS STRICTLY PROHIBITED AND CAN ONLY BE COPIED, REVISED OR USED FOR PRODUCTION WITH THE EXPRESSED WRITTEN PERMISSION OF SIGNCOMP.

DRAWN	4/1/2010	<b>SignComp</b>	
CHECKED			
QA			
MFG			
APPROVED			
		TITLE	
		Series 3 Slide Body - Assembly	
	SIZE	DWG NO	REV
	C	K1260	
	SCALE	SHEET 1 OF 1	

Parts List			
ITEM	PART #	DESCRIPTION	NOTES
1	1260	Series 3 Slide Body	Assembly
2	1200	Series 2/3 Reveal	Attach to Slide Body
42	5220	Reval to Body Screw	Drill 5/32" pilot hole 12" OC



SECTION B-B



NOTE: THE REVEAL IS PLACED 1/8" DOWN FROM THE TOP OF THE CABINET THE ALLOWS THE TOP OF THE CABINET TO BE FLUSH WITH THE TOP OF THE POST CAP.

DETAIL A

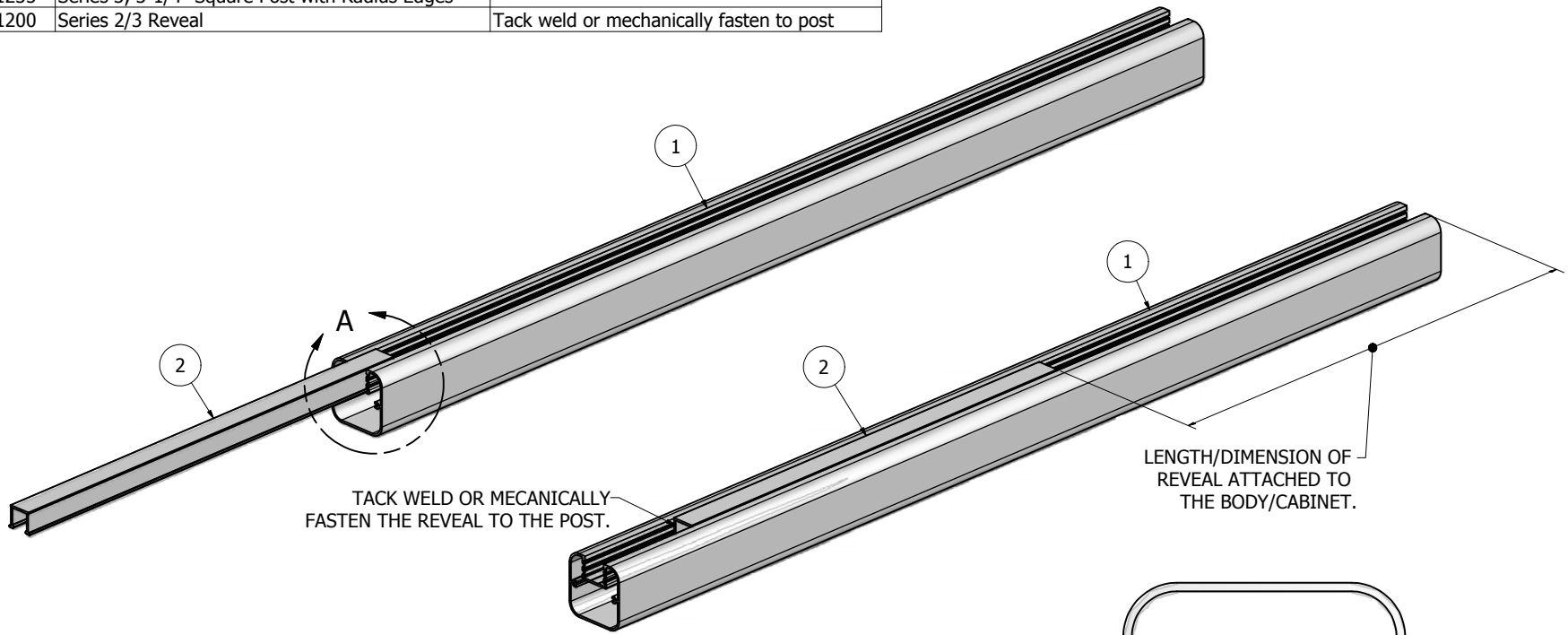
**NOTE: PRE-CUT KITS ARE NOT PRE-DRILLED.**  
 (Holes shown in this drawing are for reference only.  
 Drilling of pilot holes are to be done by fabricator.)

THIS DRAWING WAS CREATED AT NO CHARGE TO ASSIST YOU IN VISUALIZING OUR PROPOSAL. THE DRAWING HEREIN IS THE PROPERTY OF SIGNCOMP. PERMISSION TO COPY OR REVISE THIS DRAWING OR TO USE THIS DRAWING FOR PRODUCTION IS STRICTLY PROHIBITED AND CAN ONLY BE COPIED, REVISED OR USED FOR PRODUCTION WITH THE EXPRESSED WRITTEN PERMISSION OF SIGNCOMP.

DRAWN	4/1/2010	<b>SignComp</b>	
CHECKED			
QA		TITLE	
MFG		Series 3 Slide Body - Series 2/3 Reveal - Assembly	
APPROVED		SIZE	DWG NO
		C	K1260-00
		SCALE	REV
			SHEET 1 OF 1

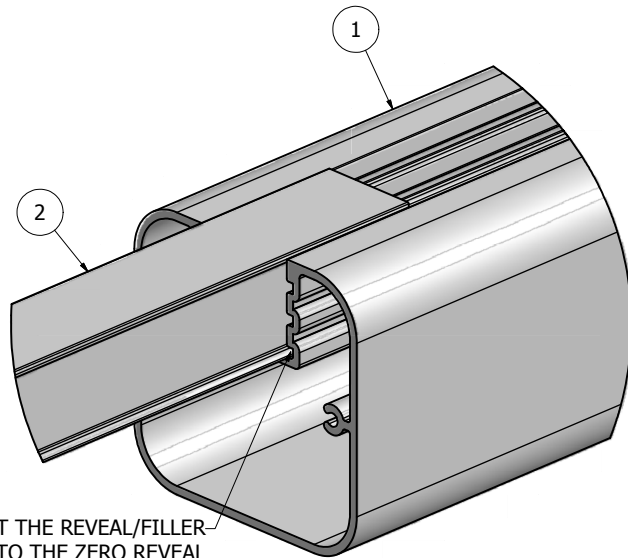
Ship To:  
 Order #:

Parts List			
ITEM	PART #	DESCRIPTION	NOTES
1	1235	Series 3, 3-1/4" Square Post with Radius Edges	
2	1200	Series 2/3 Reveal	Tack weld or mechanically fasten to post



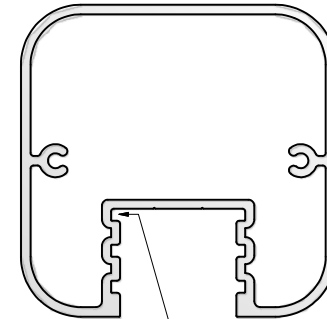
TACK WELD OR MECANICALLY FASTEN THE REVEAL TO THE POST.

LENGTH/DIMENSION OF REVEAL ATTACHED TO THE BODY/CABINET.



INSERT THE REVEAL/FILLER INTO THE ZERO REVEAL POSITION. SLIDED IT UP INTO THE POST.

DETAIL A



ZERO REVEAL

**NOTE: PRE-CUT KITS ARE NOT PRE-DRILLED.**

(Holes shown in this drawing are for reference only. Drilling of pilot holes are to be done by fabricator.)

THIS DRAWING WAS CREATED AT NO CHARGE TO ASSIST YOU IN VISUALIZING OUR PROPOSAL. THE DRAWING HEREIN IS THE PROPERTY OF SIGNCOMP. PERMISSION TO COPY OR REVISE THIS DRAWING OR TO USE THIS DRAWING FOR PRODUCTION IS STRICTLY PROHIBITED AND CAN ONLY BE COPIED, REVISED OR USED FOR PRODUCTION WITH THE EXPRESSED WRITTEN PERMISSION OF SIGNCOMP.

DRAWN	4/20/2010	<b>SignComp</b>		
CHECKED				
QA		TITLE		
MFG		Series 3, 3-1/4" Square Post with Radius Edges - Series 2/3 Reveal - Assembly		
APPROVED		SIZE	DWG NO	REV
		C	K1235-00	
		SCALE	SHEET 1 OF 1	

Ship To:

Order #: