

Parts List			
ITEM	PART #	DESCRIPTION	NOTES
1	K1612	Series 12 Hinge Body	Assembly
2	K1640	1/4 Round Retainer	Assembly
43	5280	Hinge Screw	Drill 11/32" Pilot Hole
44	5230	Closure Screw	Drill #10 Counter Sink

Ship To:

Order #:

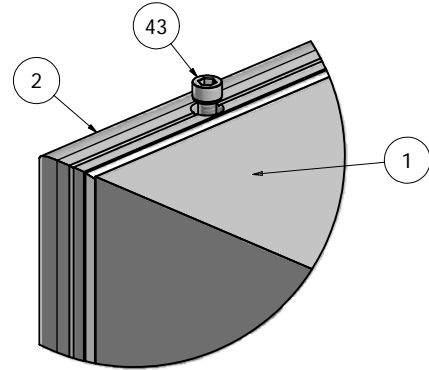
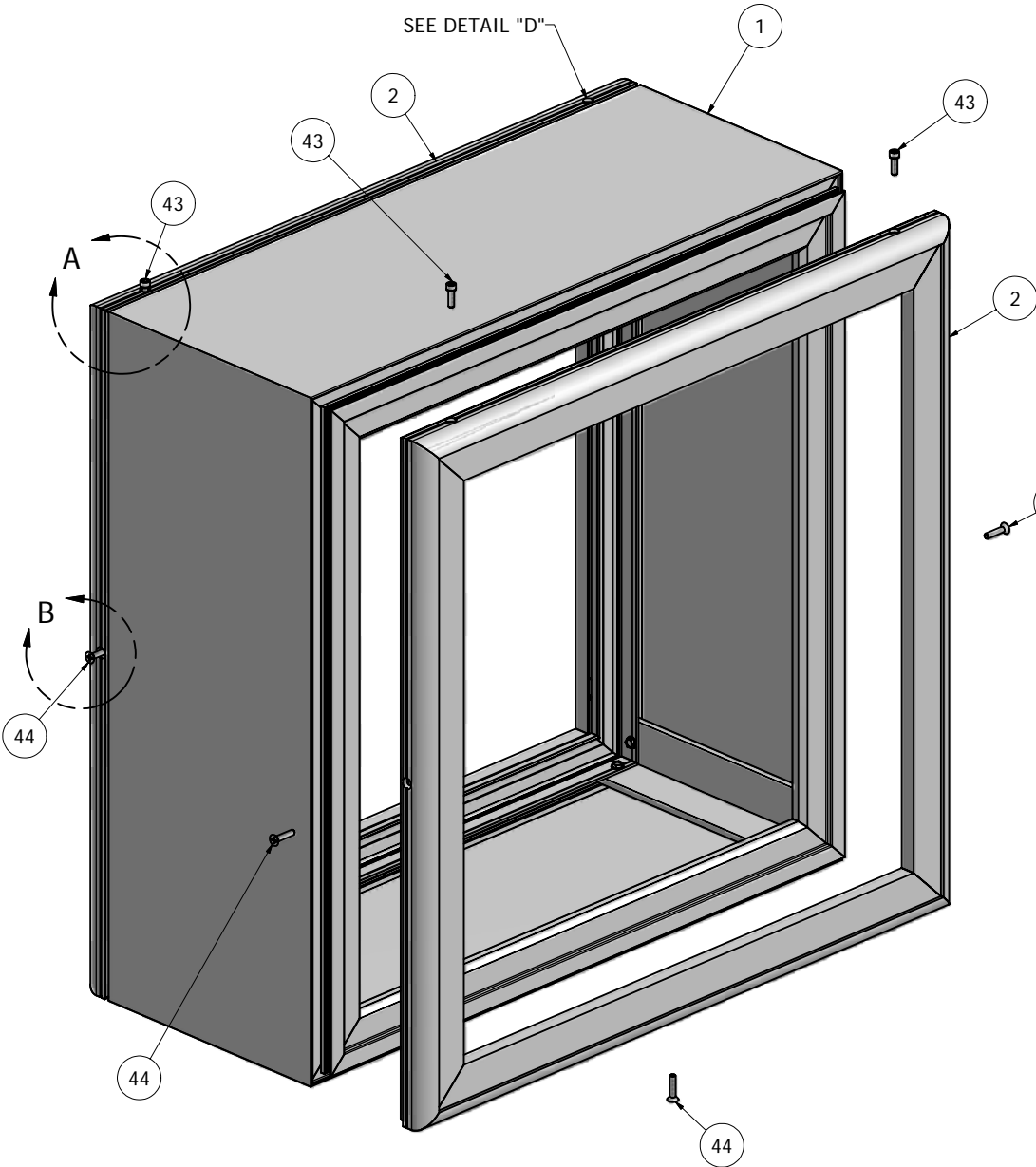
D

C

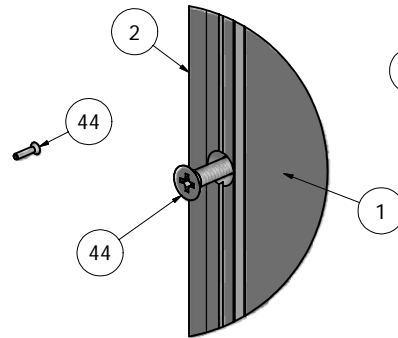
B

A

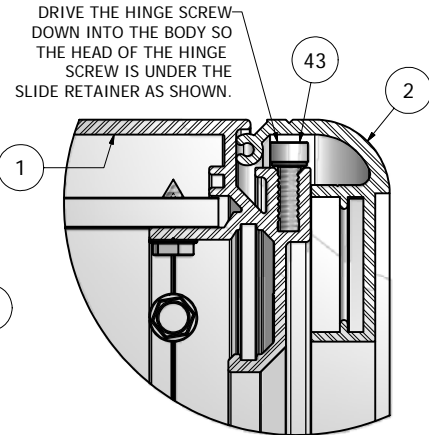
A



DETAIL A



DETAIL B



DETAIL D

**NOTE: PRE-CUT KITS ARE NOT PRE-DRILLED.**

(Holes shown in this drawing are for reference only. Drilling of pilot holes are to be done by fabricator.)

THIS DRAWING WAS CREATED AT NO CHARGE TO ASSIST YOU IN VISUALIZING OUR PROPOSAL. THE DRAWING HEREIN IS THE PROPERTY OF SIGNCOMP. PERMISSION TO COPY OR REVISE THIS DRAWING OR TO USE THIS DRAWING FOR PRODUCTION IS STRICTLY PROHIBITED AND CAN ONLY BE COPIED, REVISED OR USED FOR PRODUCTION WITH THE EXPRESSED WRITTEN PERMISSION OF SIGNCOMP.

DRAWN	Steve	1/20/2009	<b>SignComp</b>	
CHECKED				
QA			TITLE	
MFG			Series 12 Hinge Body - Bleed Retainer - Assembly	
APPROVED			SIZE	DWG NO
			C	K1612/40
			SCALE	SHEET 1 OF 1

4

3

2

2

1

D

C

B

A

A

Parts List			
ITEM	PART #	DESCRIPTION	NOTES
1	1612	Series 12 Hinge Body	Top & Bottom
2	1612	Series 12 Hinge Body	Sides
3	5342	Series 12 Hinge Body Corner Angle	
13	5218	Corner Angle Screw	Drill 5/32" Pilot Hole

Ship To:

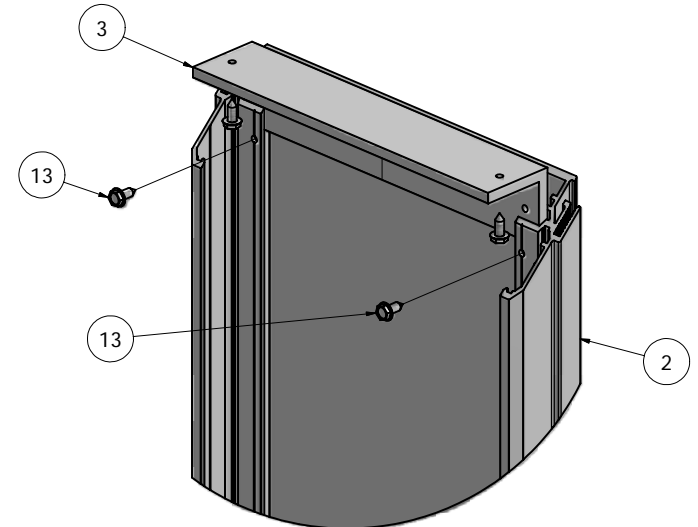
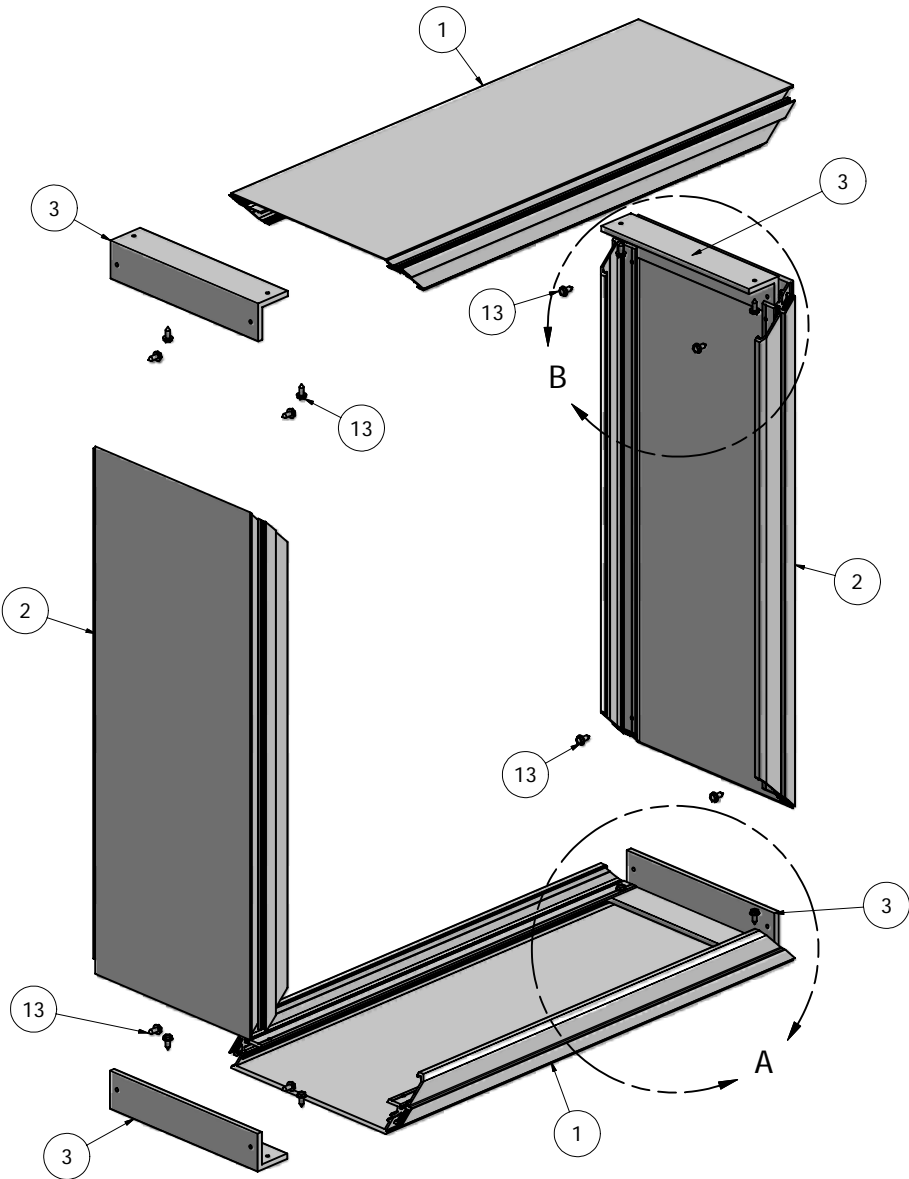
Order #:

D

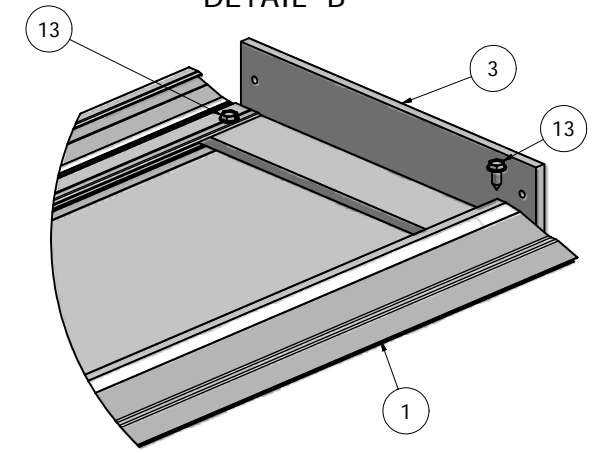
C

B

A



DETAIL B



DETAIL A

**NOTE: PRE-CUT KITS ARE NOT PRE-DRILLED.**

(Holes shown in this drawing are for reference only.  
Drilling of pilot holes are to be done by fabricator.)

THIS DRAWING WAS CREATED AT NO CHARGE TO ASSIST YOU IN VISUALIZING OUR PROPOSAL. THE DRAWING HEREIN IS THE PROPERTY OF SIGNCOMP. PERMISSION TO COPY OR REVISE THIS DRAWING OR TO USE THIS DRAWING FOR PRODUCTION IS STRICTLY PROHIBITED AND CAN ONLY BE COPIED, REVISED OR USED FOR PRODUCTION WITH THE EXPRESSED WRITTEN PERMISSION OF SIGNCOMP.

DRAWN Steve	12/22/2008	<b>SignComp</b>	
CHECKED			
QA		TITLE Series 12 Hinge Body - Assembly	
MFG		SIZE C	DWG NO K1612
APPROVED		SCALE	REV
		SHEET 1 OF 1	

4

1

3

4

2

1

1

D

C

B

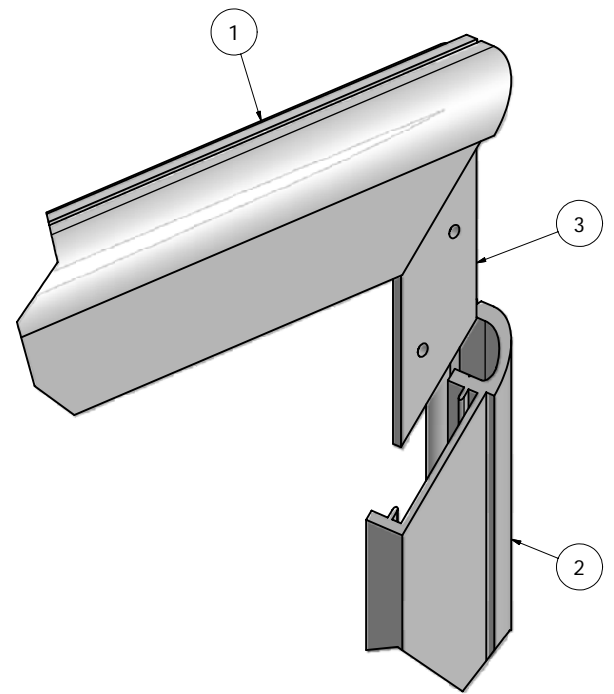
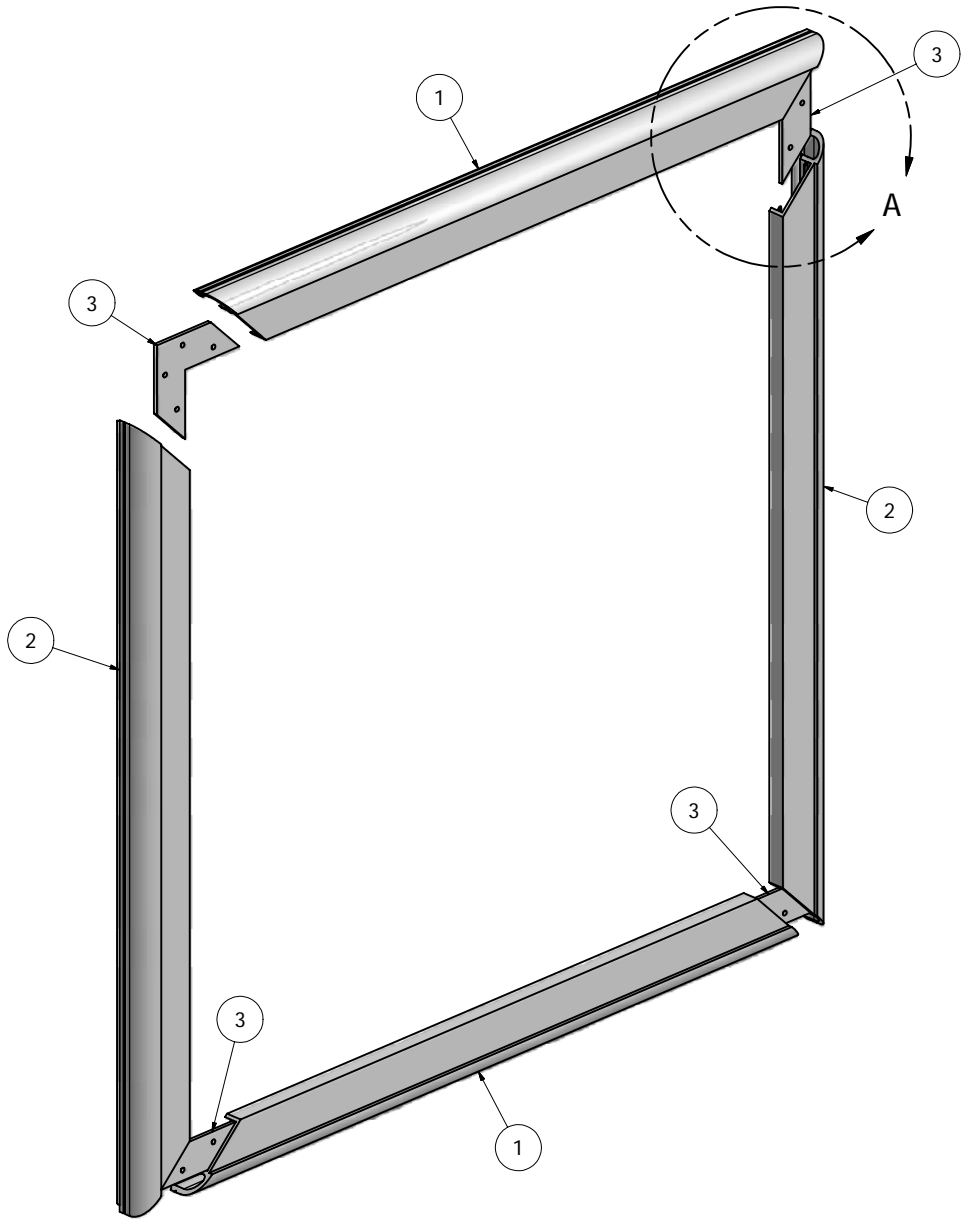
A

A

Parts List			
ITEM	PART #	DESCRIPTION	NOTES
1	1640	1/4 Round Retainer	Top & Bottom
2	1640	1/4 Round Retainer	Sides
3	5210	Corner Key	Pre-Punched

Ship To:

Order #:



DETAIL A

**NOTE: PRE-CUT KITS ARE NOT PRE-DRILLED.**  
 (Holes shown in this drawing are for reference only.  
 Drilling of pilot holes are to be done by fabricator.)

THIS DRAWING WAS CREATED AT NO CHARGE TO ASSIST YOU IN VISUALIZING OUR PROPOSAL. THE DRAWING HEREIN IS THE PROPERTY OF SIGNCOMP. PERMISSION TO COPY OR REVISE THIS DRAWING OR TO USE THIS DRAWING FOR PRODUCTION IS STRICTLY PROHIBITED AND CAN ONLY BE COPIED, REVISED OR USED FOR PRODUCTION WITH THE EXPRESSED WRITTEN PERMISSION OF SIGNCOMP.			
DRAWN Steve	12/22/2008	<h1>SignComp</h1> <p>1/4 Round Retainer - Assembly</p>	
CHECKED			
QA			
MFG			
APPROVED			
SIZE C	DWG NO K1640	REV	
SCALE	SHEET 1 OF 1		