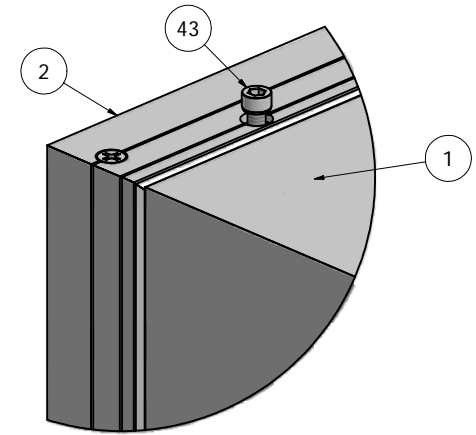
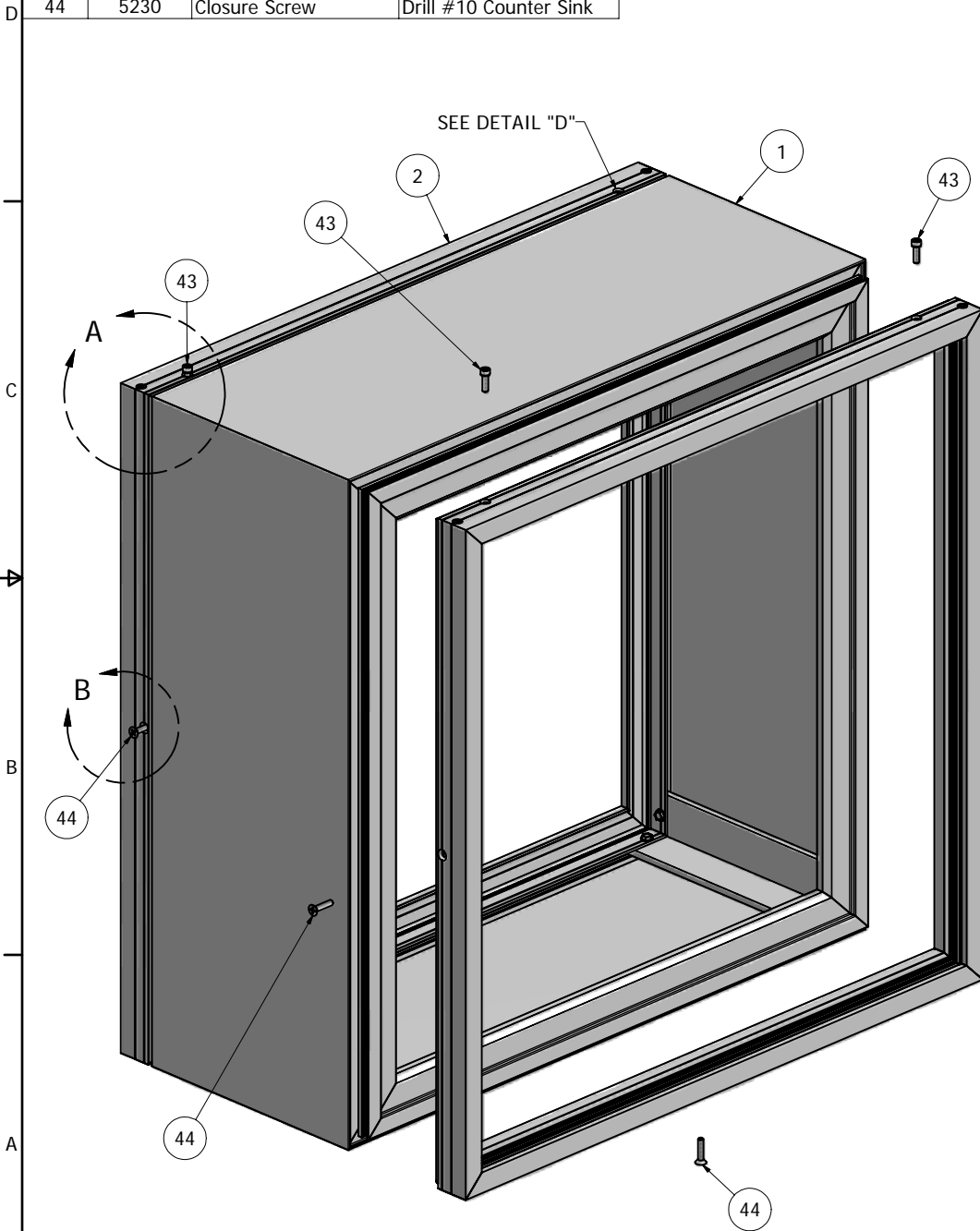


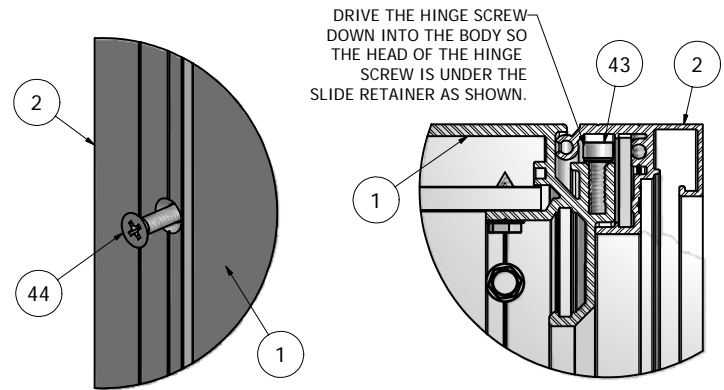
Parts List			
ITEM	PART #	DESCRIPTION	NOTES
1	K1612	Series 12 Hinge Body Assembly	
2	K1626	3/4 Slide Retainer Assembly	
43	5280	Hinge Screw	Drill 11/32" Pilot Hole
44	5230	Closure Screw	Drill #10 Counter Sink

Ship To:

Order #:



DETAIL A



DETAIL B

DETAIL D

NOTE: PRE-CUT KITS ARE NOT PRE-DRILLED.

(Holes shown in this drawing are for reference only.
Drilling of pilot holes are to be done by fabricator.)

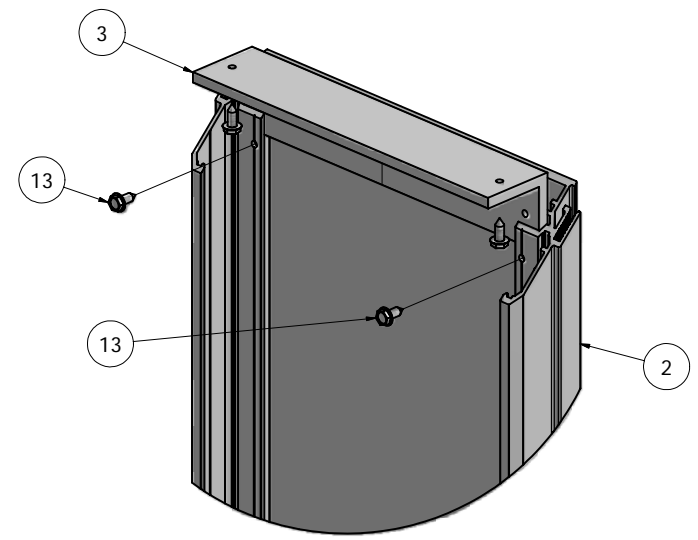
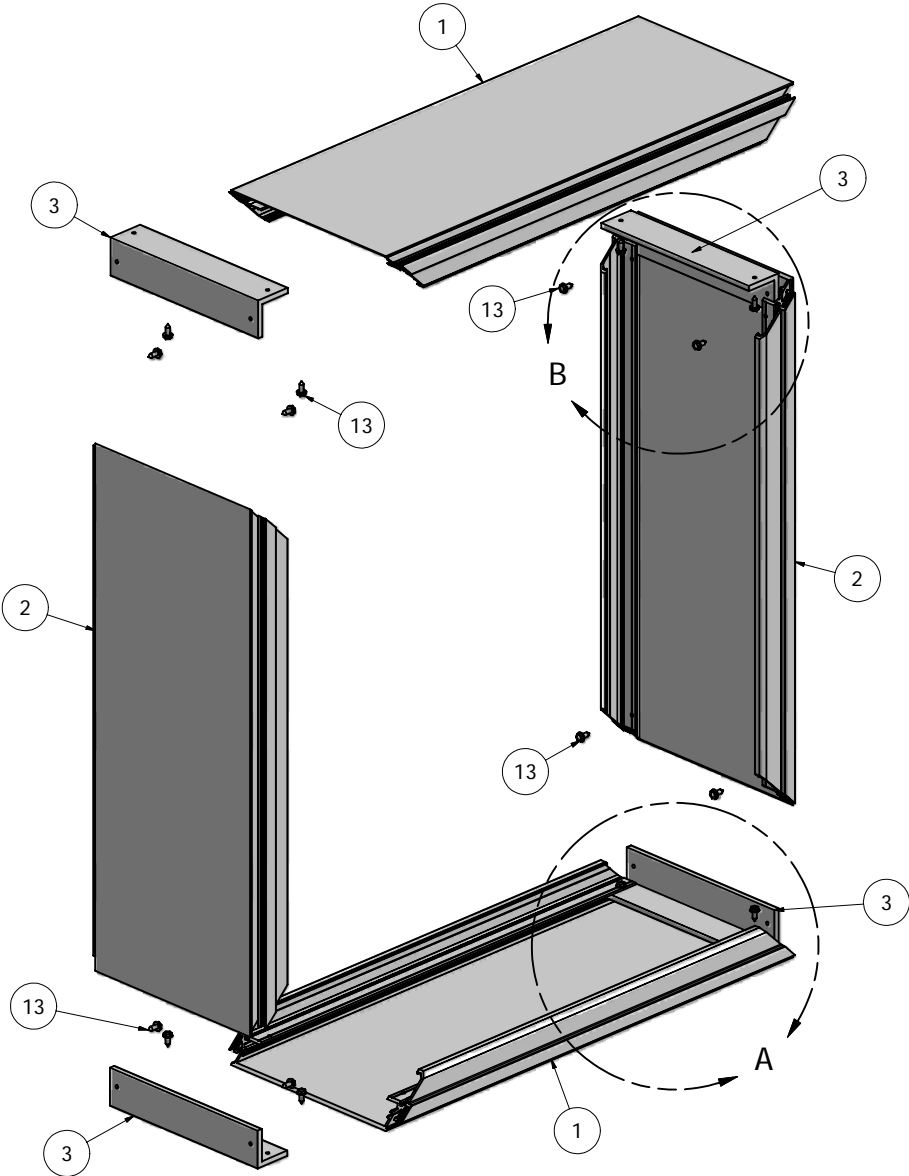
THIS DRAWING WAS CREATED AT NO CHARGE TO ASSIST YOU IN VISUALIZING OUR PROPOSAL. THE DRAWING HEREIN IS THE PROPERTY OF SIGNCOMP. PERMISSION TO COPY OR REVISE THIS DRAWING OR TO USE THIS DRAWING FOR PRODUCTION IS STRICTLY PROHIBITED AND CAN ONLY BE COPIED, REVISED OR USED FOR PRODUCTION WITH THE EXPRESSED WRITTEN PERMISSION OF SIGNCOMP.

DRAWN	Steve	1/19/2009	SignComp		
CHECKED					
QA			TITLE		
MFG			Series 12 Hinge Body - 3-4 Slide Retainer - Assembly		
APPROVED			SIZE	DWG NO	REV
			C	K1612/26	
			SCALE	SHEET 1 OF 1	

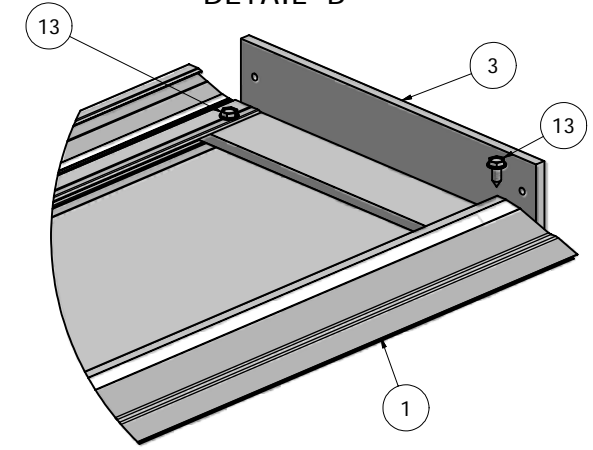
Parts List			
ITEM	PART #	DESCRIPTION	NOTES
1	1612	Series 12 Hinge Body	Top & Bottom
2	1612	Series 12 Hinge Body	Sides
3	5342	Series 12 Hinge Body Corner Angle	
13	5218	Corner Angle Screw	Drill 5/32" Pilot Hole

Ship To:

Order #:



DETAIL B



DETAIL A

NOTE: PRE-CUT KITS ARE NOT PRE-DRILLED.

(Holes shown in this drawing are for reference only. Drilling of pilot holes are to be done by fabricator.)

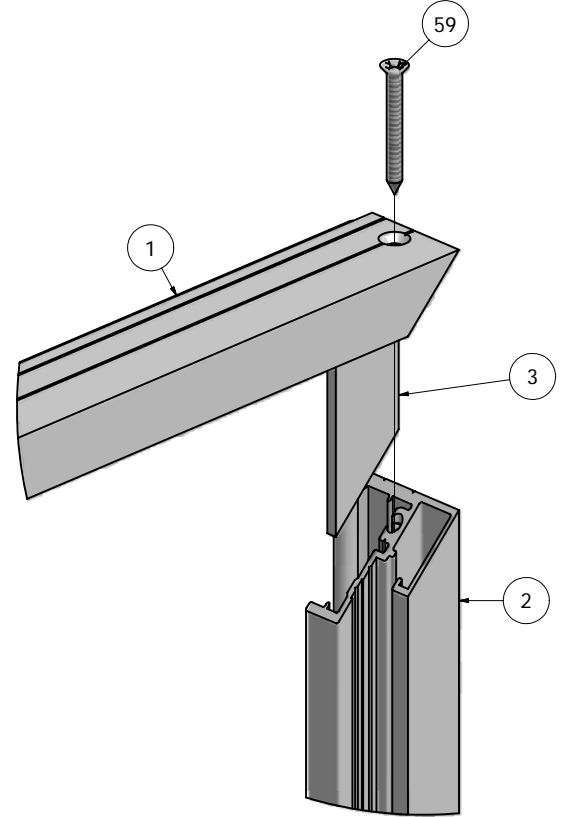
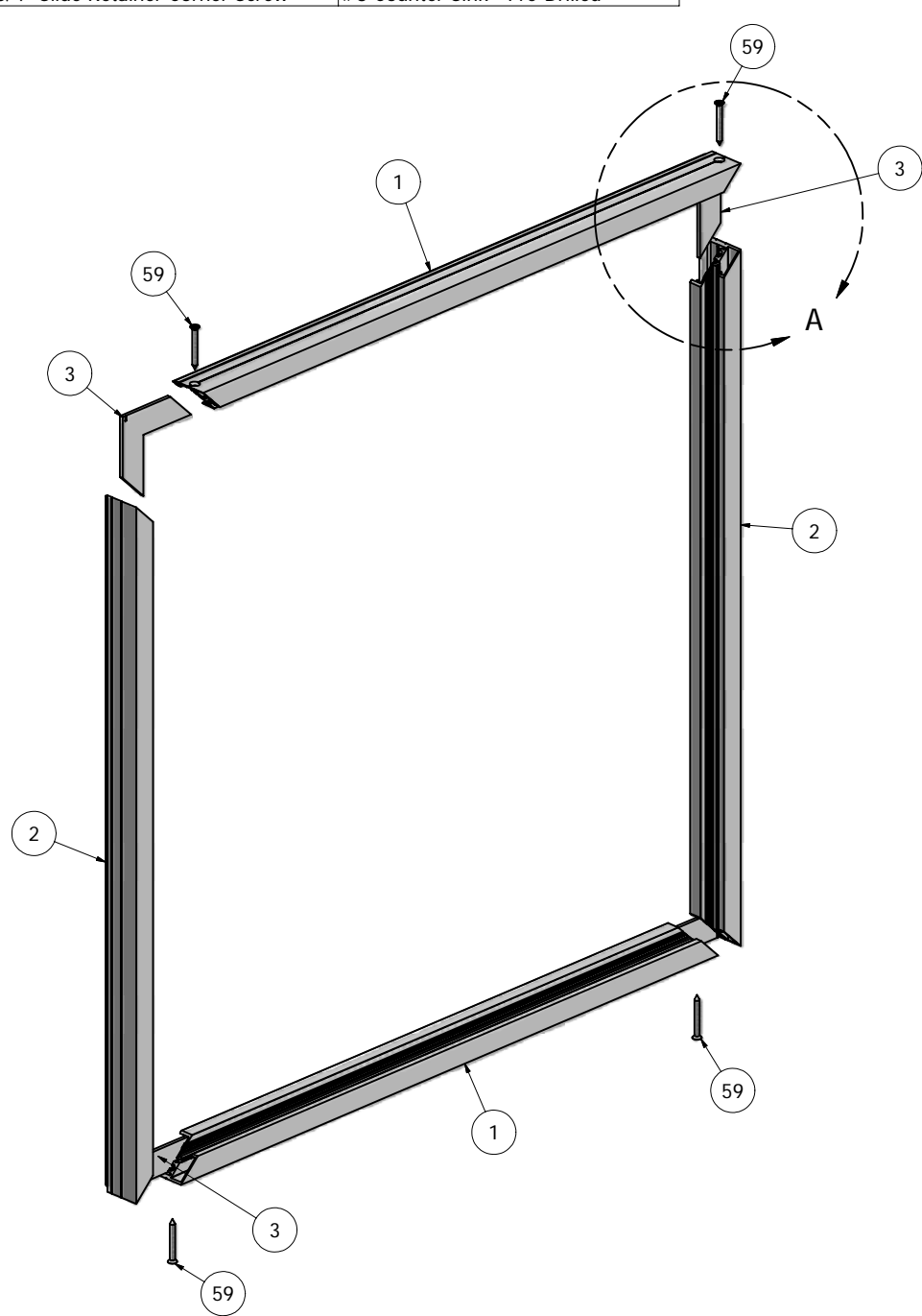
THIS DRAWING WAS CREATED AT NO CHARGE TO ASSIST YOU IN VISUALIZING OUR PROPOSAL. THE DRAWING HEREIN IS THE PROPERTY OF SIGNCOMP. PERMISSION TO COPY OR REVISE THIS DRAWING OR TO USE THIS DRAWING FOR PRODUCTION IS STRICTLY PROHIBITED AND CAN ONLY BE COPIED, REVISED OR USED FOR PRODUCTION WITH THE EXPRESSED WRITTEN PERMISSION OF SIGNCOMP.

DRAWN Steve	12/22/2008	<h1>SignComp</h1> <p>Series 12 Hinge Body - Assembly</p>		
CHECKED				
QA				
MFG				
APPROVED		SIZE C	DWG NO K1612	REV
		SCALE		SHEET 1 OF 1

Parts List			
ITEM	PART #	DESCRIPTION	NOTES
1	1626	3/4" Slide Retainer	Top & Bottom
2	1626	3/4" Slide Retainer	Sides
3	5226	Corner Key	Special Corner Key for the 1626
59	5270	3/4" Slide Retainer Corner Screw	#8 Counter Sink - Pre-Drilled

Ship To:

Order #:



DETAIL A

NOTE: PRE-CUT KITS ARE NOT PRE-DRILLED.
 (Holes shown in this drawing are for reference only.
 Drilling of pilot holes are to be done by fabricator.)

THIS DRAWING WAS CREATED AT NO CHARGE TO ASSIST YOU IN VISUALIZING OUR PROPOSAL. THE DRAWING HEREIN IS THE PROPERTY OF SIGNCOMP. PERMISSION TO COPY OR REVISE THIS DRAWING OR TO USE THIS DRAWING FOR PRODUCTION IS STRICTLY PROHIBITED AND CAN ONLY BE COPIED, REVISED OR USED FOR PRODUCTION WITH THE EXPRESSED WRITTEN PERMISSION OF SIGNCOMP.

DRAWN	12/22/2008	<h1>SignComp</h1> <p>3/4" Slide Retainer - Assembly</p>	
Steve			
CHECKED			
QA			
MFG			
APPROVED		TITLE	
		SIZE	DWG NO
		C	K1626
		SCALE	REV
			SHEET 1 OF 1