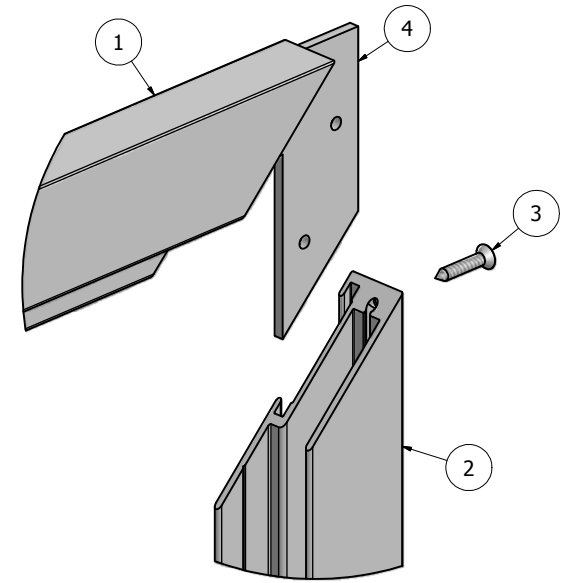
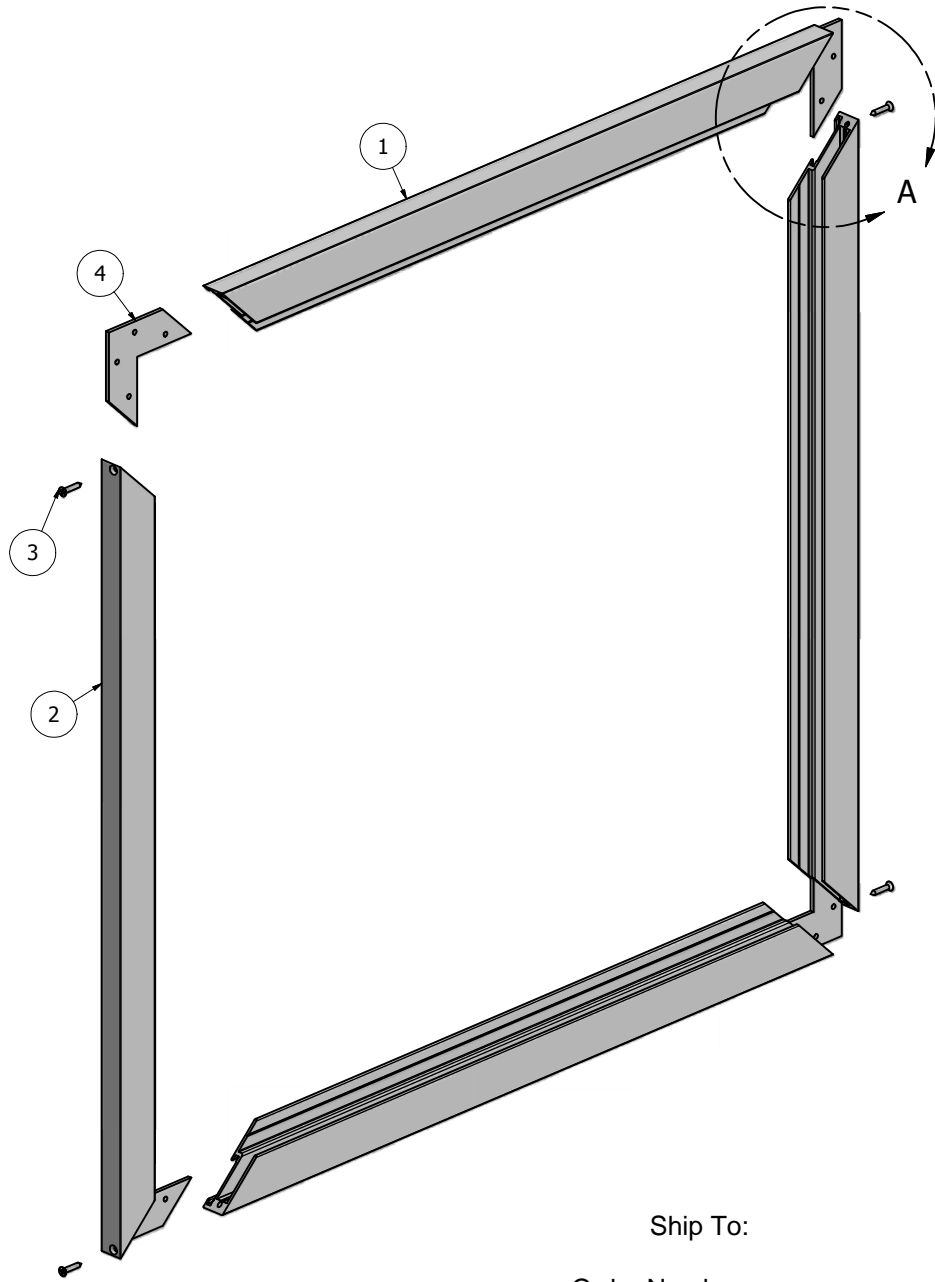
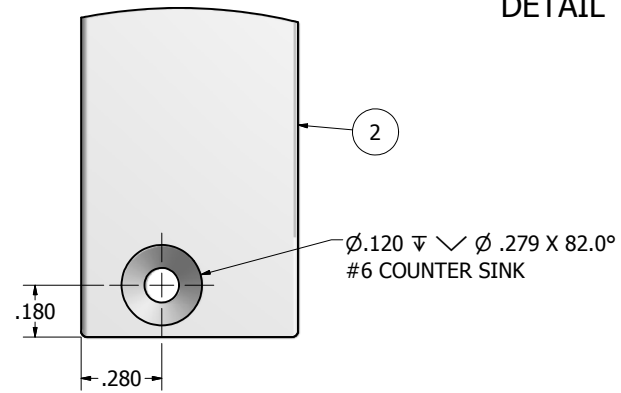


Parts List			
ITEM	PART #	DESCRIPTION	NOTES
1	1949	1-3/8" Wall Frame	Top & Bottom
2	1949	1-3/8" Wall Frame	Sides, pre-drilled and counter sunk
3	5245	Wall Frame Corner Screw	#6 x 3/4" counter sunk phillips head screw
4	5210	Corner Key	



DETAIL A



DETAIL B

NOTE: PRE-CUT KITS ARE NOT PRE-DRILLED.

(Holes shown in this drawing are for reference only.
Drilling of pilot holes are to be done by fabricator.)

THIS DRAWING WAS CREATED AT NO CHARGE TO ASSIST YOU IN VISUALIZING OUR PROPOSAL. THE DRAWING HEREIN IS THE PROPERTY OF SIGNCOMP. PERMISSION TO COPY OR REVISE THIS DRAWING OR TO USE THIS DRAWING FOR PRODUCTION IS STRICTLY PROHIBITED AND CAN ONLY BE COPIED, REVISED OR USED FOR PRODUCTION WITH THE EXPRESSED WRITTEN PERMISSION OF SIGNCOMP.

DRAWN	6/10/2010	SignComp	
CHECKED			
QA		TITLE	
MFG		1-3/8" Wall Frame - Assembly	
APPROVED		SIZE	DWG NO
		C	1949
		SCALE	SHEET 1 OF 1

Ship To:

Order Number: