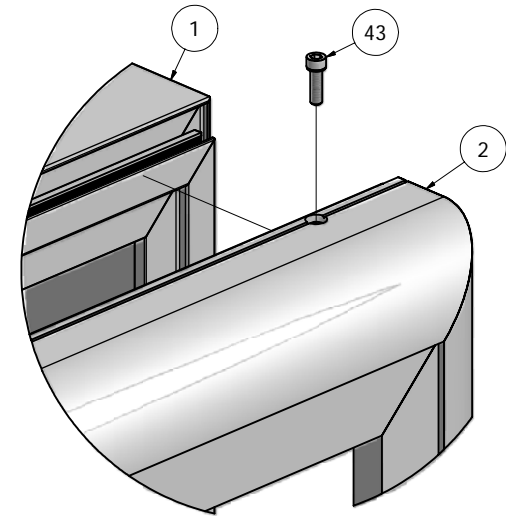
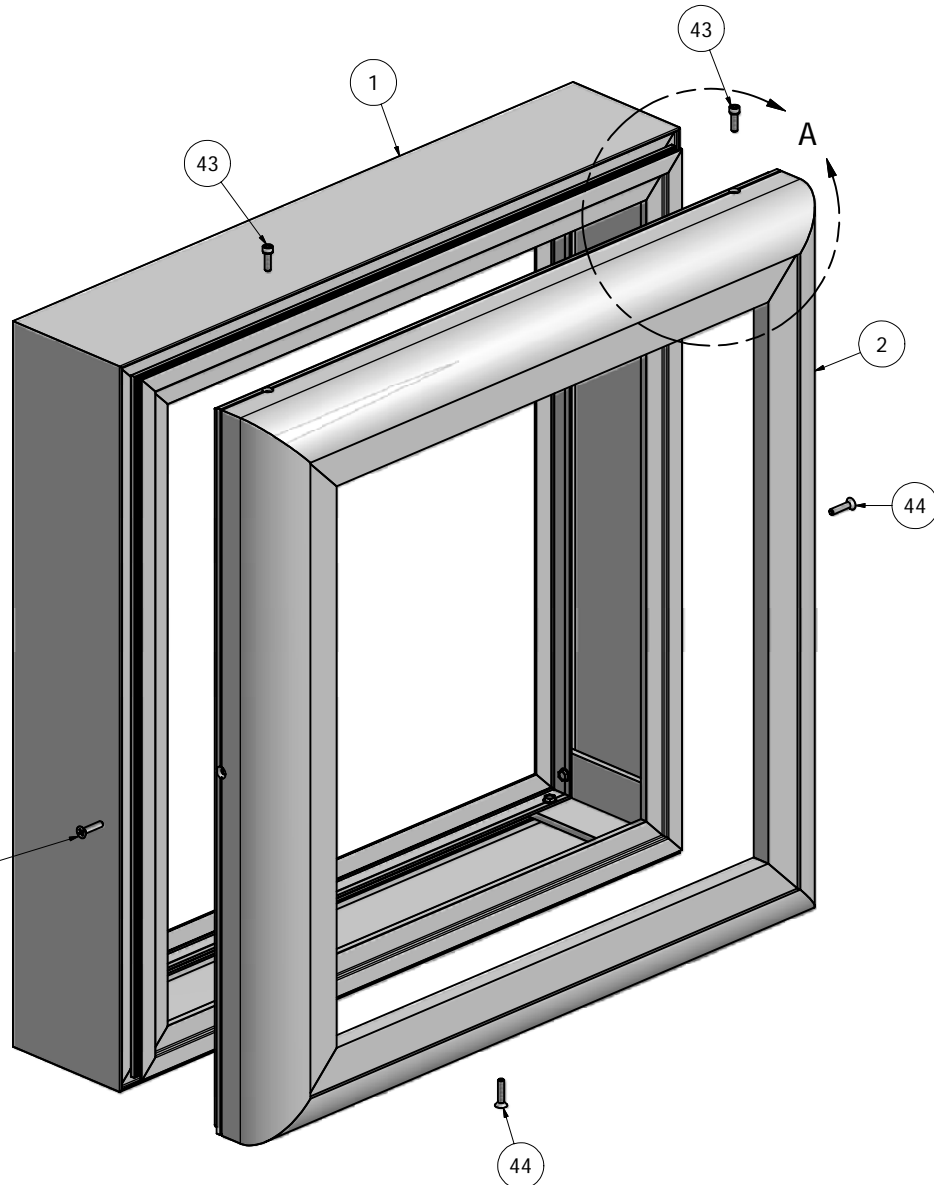


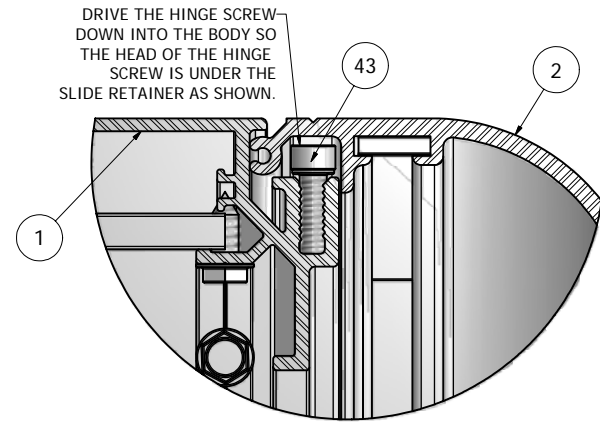
Parts List			
ITEM	PART #	DESCRIPTION	NOTES
1	K1602	Series 7 Single Face Hinge Body	Assembly
2	K1640	1/4 Round Retainer	Assembly
43	5280	Hinge Screw	Drill 11/32" Pilot Hole
44	5230	Closure Screw	Drill #10 Counter Sink

Ship To:

Order #:



DETAIL A



DETAIL C

NOTE: PRE-CUT KITS ARE NOT PRE-DRILLED.

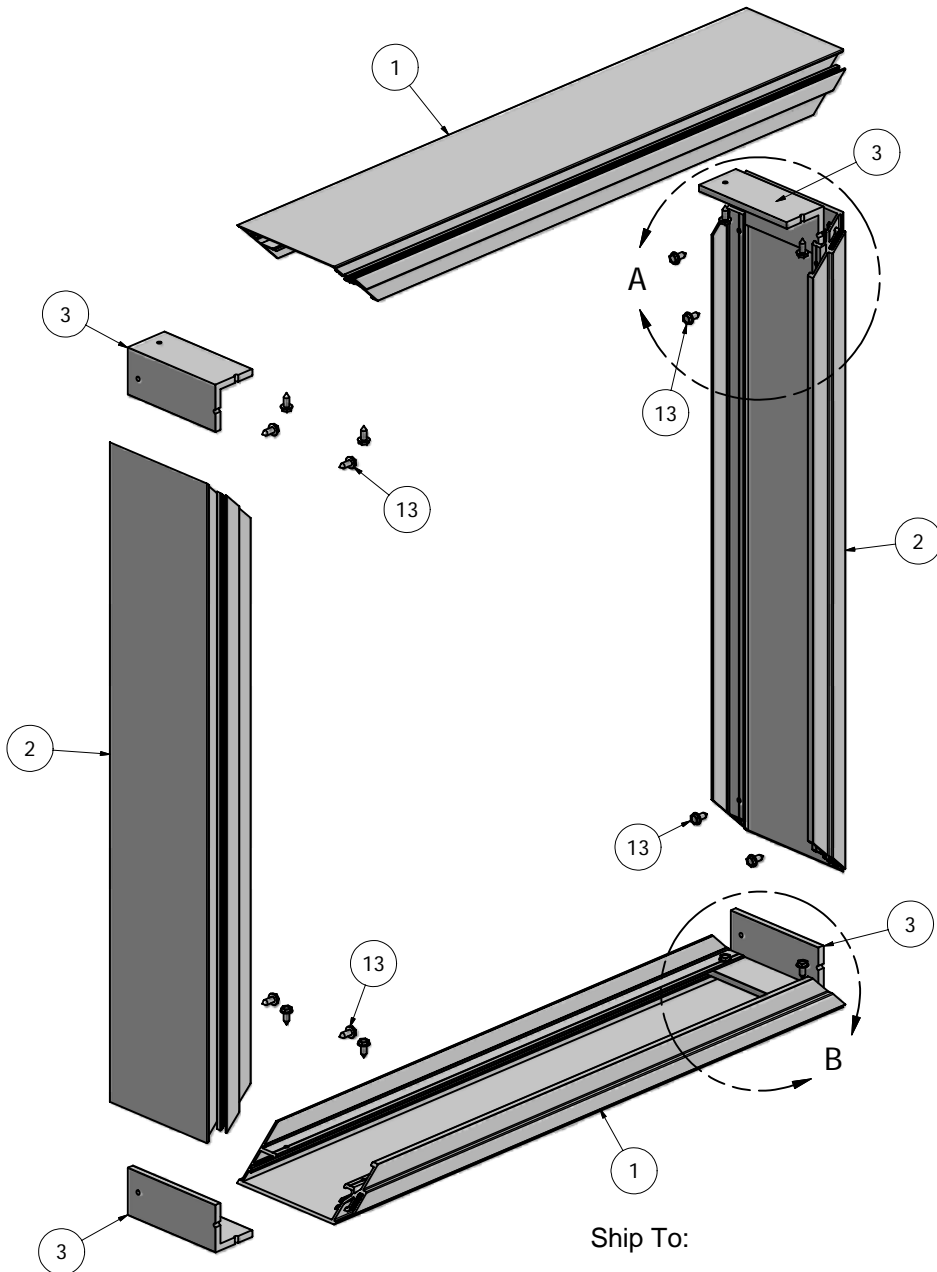
(Holes shown in this drawing are for reference only.)

Drilling of pilot holes are to be done by fabricator.)

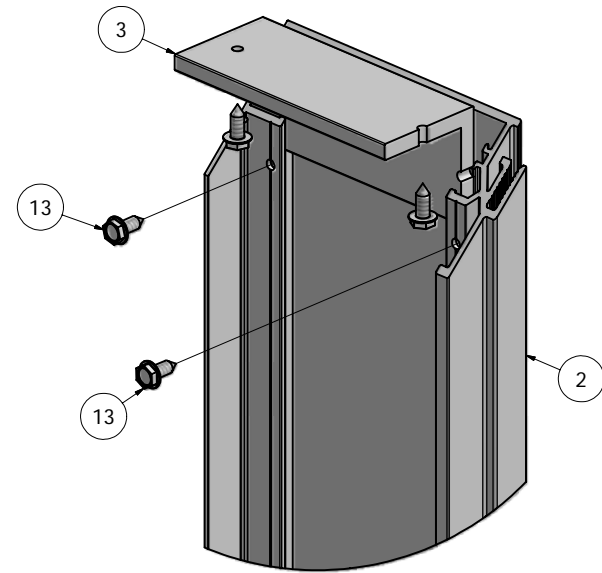
THIS DRAWING WAS CREATED AT NO CHARGE TO ASSIST YOU IN VISUALIZING OUR PROPOSAL. THE DRAWING HEREIN IS THE PROPERTY OF SIGNCOMP. PERMISSION TO COPY OR REVISE THIS DRAWING OR TO USE THIS DRAWING FOR PRODUCTION IS STRICTLY PROHIBITED AND CAN ONLY BE COPIED, REVISED OR USED FOR PRODUCTION WITH THE EXPRESSED WRITTEN PERMISSION OF SIGNCOMP.

DRAWN Steve	1/16/2009	SignComp	
CHECKED			
QA		TITLE Series 7 Single Face Hinge Body - 1/4 Round Retainer - Assembly	
MFG		SIZE C	DWG NO K1602/50
APPROVED		SCALE	REV
		SHEET 1 OF 1	

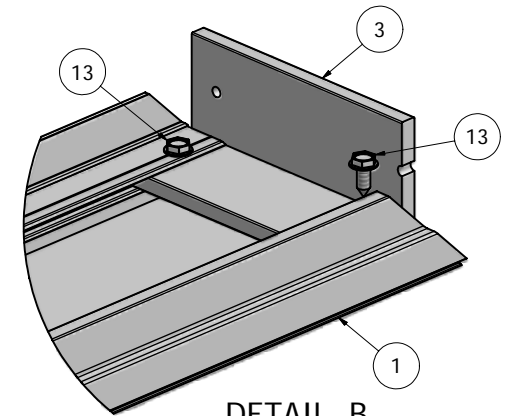
Parts List			
ITEM	PART #	DESCRIPTION	NOTES
1	1602	Series 7 Single Face Hinge Body	Top & Bottom
2	1602	Series 7 Single Face Hinge Body	Sides
3	5346	Series 7 Single Face Hinge Body Corner Angle	
13	5218	Corner Angle Screw	Drill 5/32" Pilot Hole



Ship To:
Order #:



DETAIL A



DETAIL B

NOTE: PRE-CUT KITS ARE NOT PRE-DRILLED.

(Holes shown in this drawing are for reference only.
Drilling of pilot holes are to be done by fabricator.)

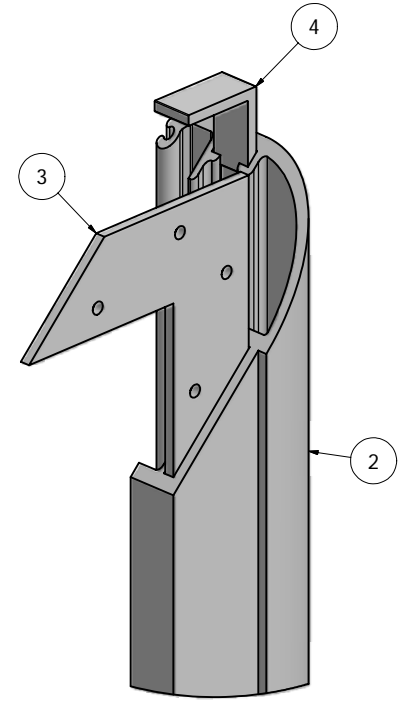
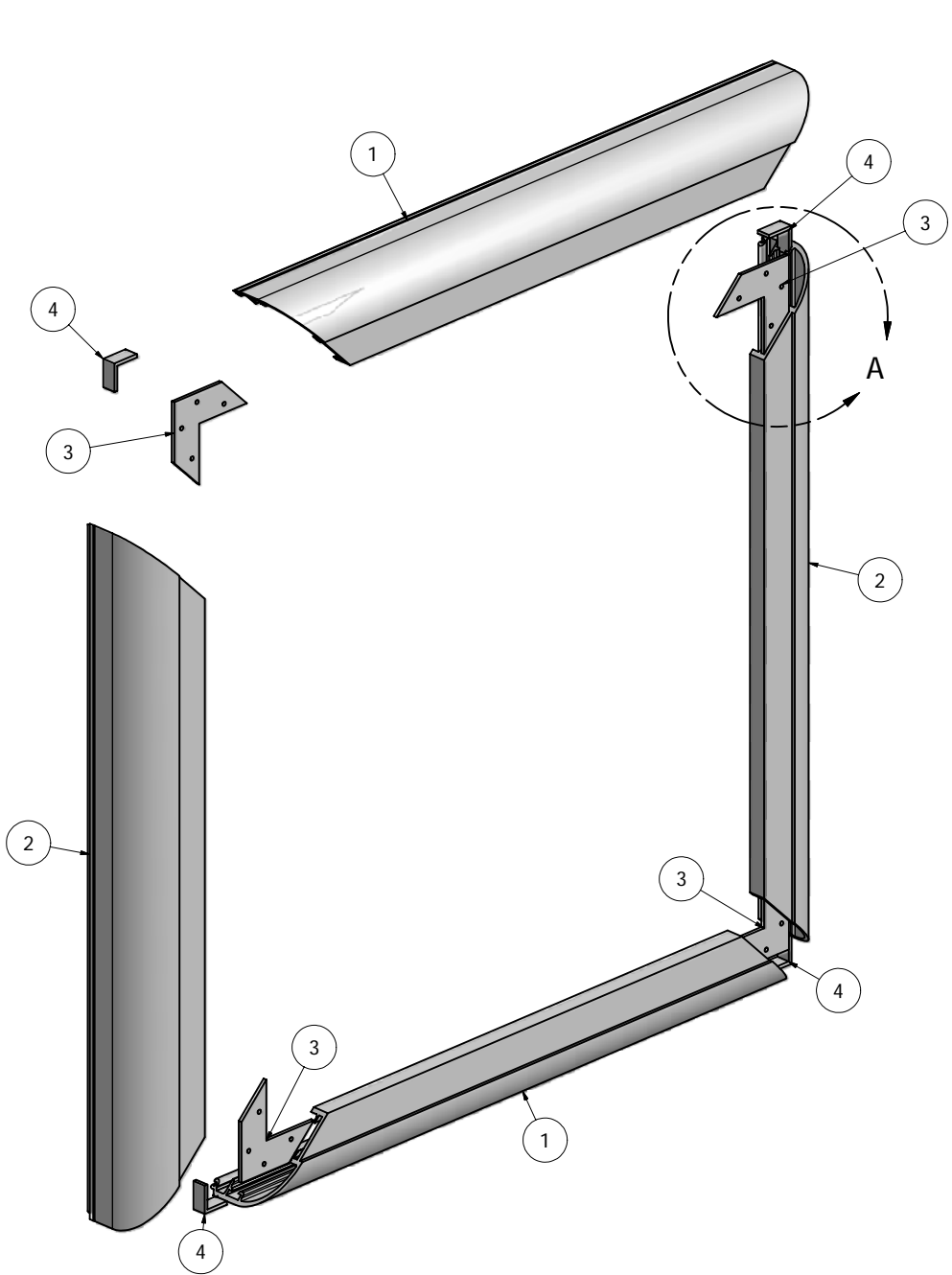
THIS DRAWING WAS CREATED AT NO CHARGE TO ASSIST YOU IN VISUALIZING OUR PROPOSAL. THE DRAWING HEREIN IS THE PROPERTY OF SIGNCOMP. PERMISSION TO COPY OR REVISE THIS DRAWING OR TO USE THIS DRAWING FOR PRODUCTION IS STRICTLY PROHIBITED AND CAN ONLY BE COPIED, REVISED OR USED FOR PRODUCTION WITH THE EXPRESSED WRITTEN PERMISSION OF SIGNCOMP.

DRAWN Steve	12/19/2008	SignComp		
CHECKED				
QA		TITLE Series 7 Single Face Hinge Body - Assembly		
MFG		SIZE C	DWG NO K1602	REV
APPROVED		SCALE	SHEET 1 OF 1	

Parts List			
ITEM	PART #	DESCRIPTION	NOTES
1	1650	Extended 1/4 Round Retainer	Top & Bottom
2	1650	Extended 1/4 Round Retainer	Sides
3	5210	Corner Key	Pre-Punched
4	5325	Extended 1/4 Round Retainer Corner Angle	

Ship To:

Order #:



DETAIL A

NOTE: PRE-CUT KITS ARE NOT PRE-DRILLED.

(Holes shown in this drawing are for reference only.
Drilling of pilot holes are to be done by fabricator.)

THIS DRAWING WAS CREATED AT NO CHARGE TO ASSIST YOU IN VISUALIZING OUR PROPOSAL. THE DRAWING HEREIN IS THE PROPERTY OF SIGNCOMP. PERMISSION TO COPY OR REVISE THIS DRAWING OR TO USE THIS DRAWING FOR PRODUCTION IS STRICTLY PROHIBITED AND CAN ONLY BE COPIED, REVISED OR USED FOR PRODUCTION WITH THE EXPRESSED WRITTEN PERMISSION OF SIGNCOMP.

DRAWN	12/22/2008	<h1>SignComp</h1> <p>Extended 1/4 Round Retainer - Assembly</p>		
Steve				
CHECKED				
QA				
MFG				
APPROVED		SIZE	DWG NO	REV
		C	K1650	
		SCALE	SHEET 1 OF 1	