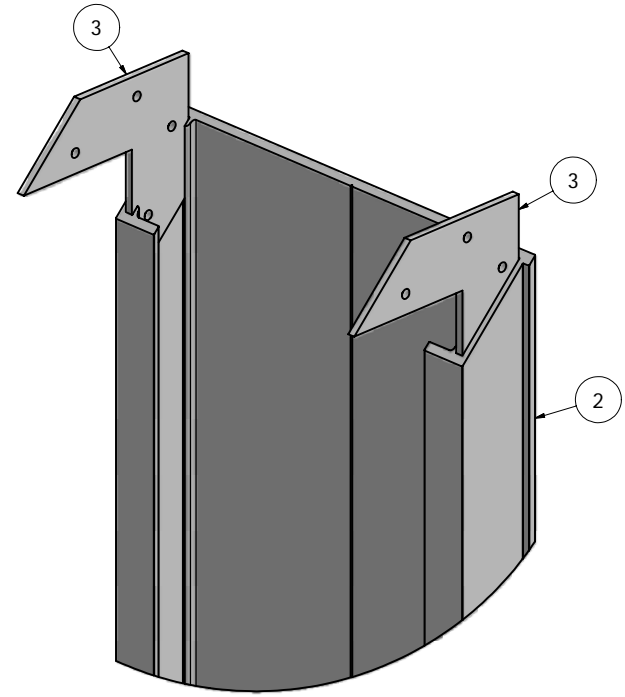
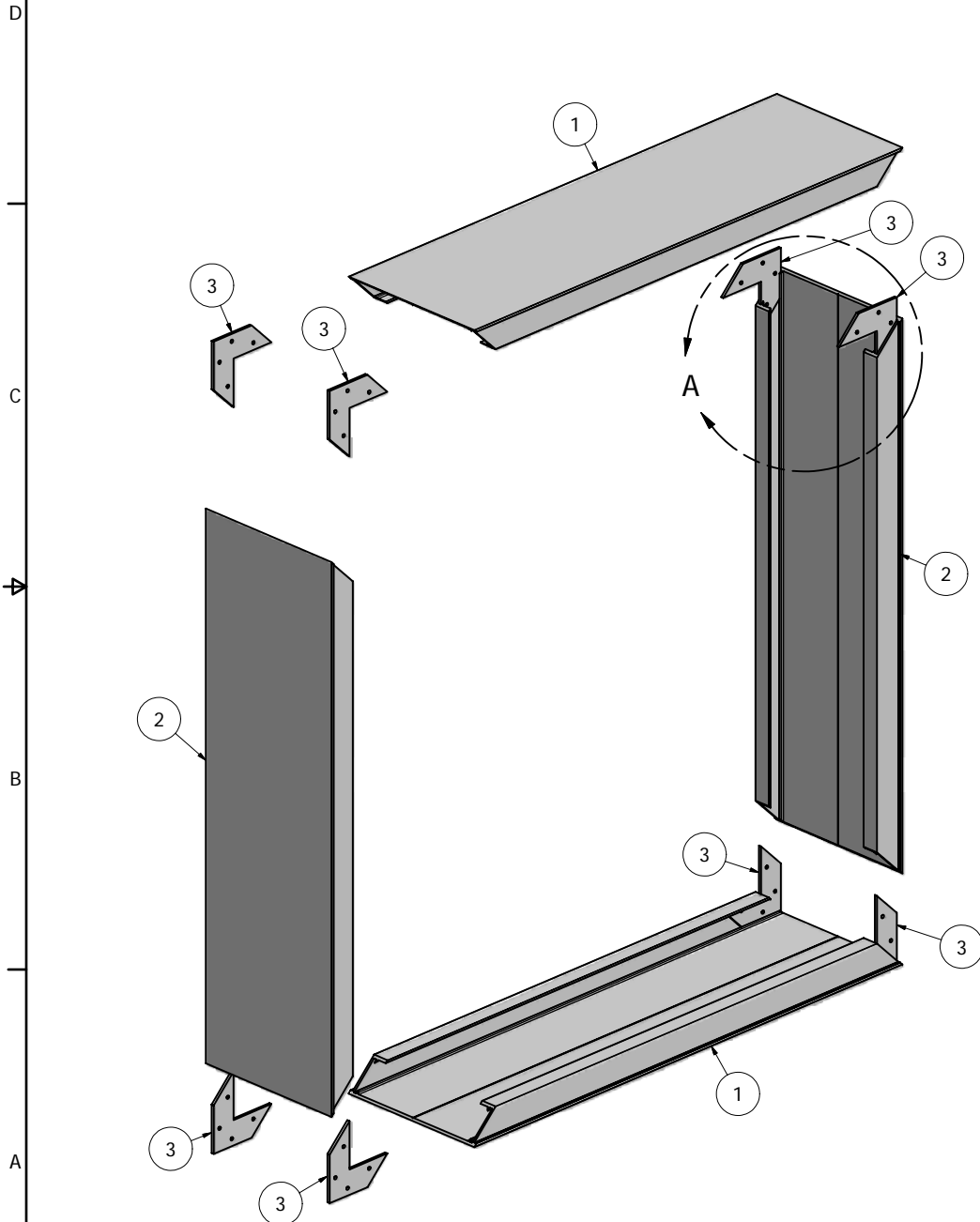


Parts List			
ITEM	PART #	DESCRIPTION	NOTES
1	1570	Series 7 Bleed Body	Top & Bottom
2	1570	Series 7 Bleed Body	Sides
3	5210	Corner Key	



DETAIL A

**NOTE: PRE-CUT KITS ARE NOT PRE-DRILLED.**

(Holes shown in this drawing are for reference only.  
Drilling of pilot holes are to be done by fabricator.)

THIS DRAWING WAS CREATED AT NO CHARGE TO ASSIST YOU IN VISUALIZING OUR PROPOSAL. THE DRAWING HEREIN IS THE PROPERTY OF SIGNCOMP. PERMISSION TO COPY OR REVISE THIS DRAWING OR TO USE THIS DRAWING FOR PRODUCTION IS STRICTLY PROHIBITED AND CAN ONLY BE COPIED, REVISED OR USED FOR PRODUCTION WITH THE EXPRESSED WRITTEN PERMISSION OF SIGNCOMP.

DRAWN Steve	2/6/2009	<h1>SignComp</h1> <p>Series 7 Bleed Body - Assembly</p>		
CHECKED				
QA				
MFG				
APPROVED				
		SIZE C	DWG NO K1570	REV
		SCALE	SHEET 1 OF 1	

Ship To:

Order #: