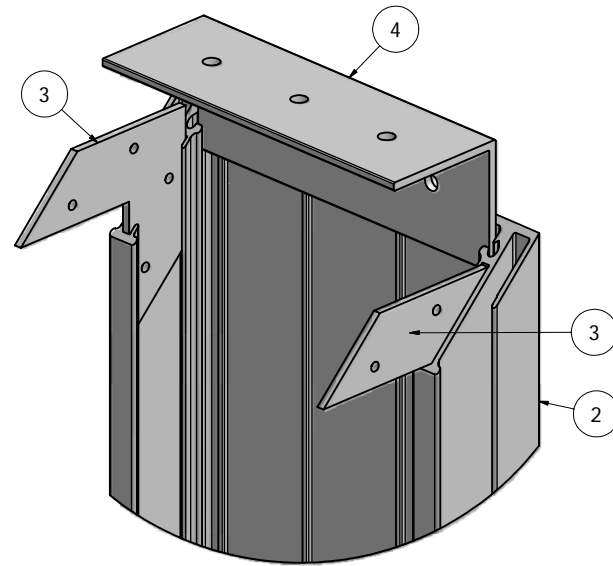
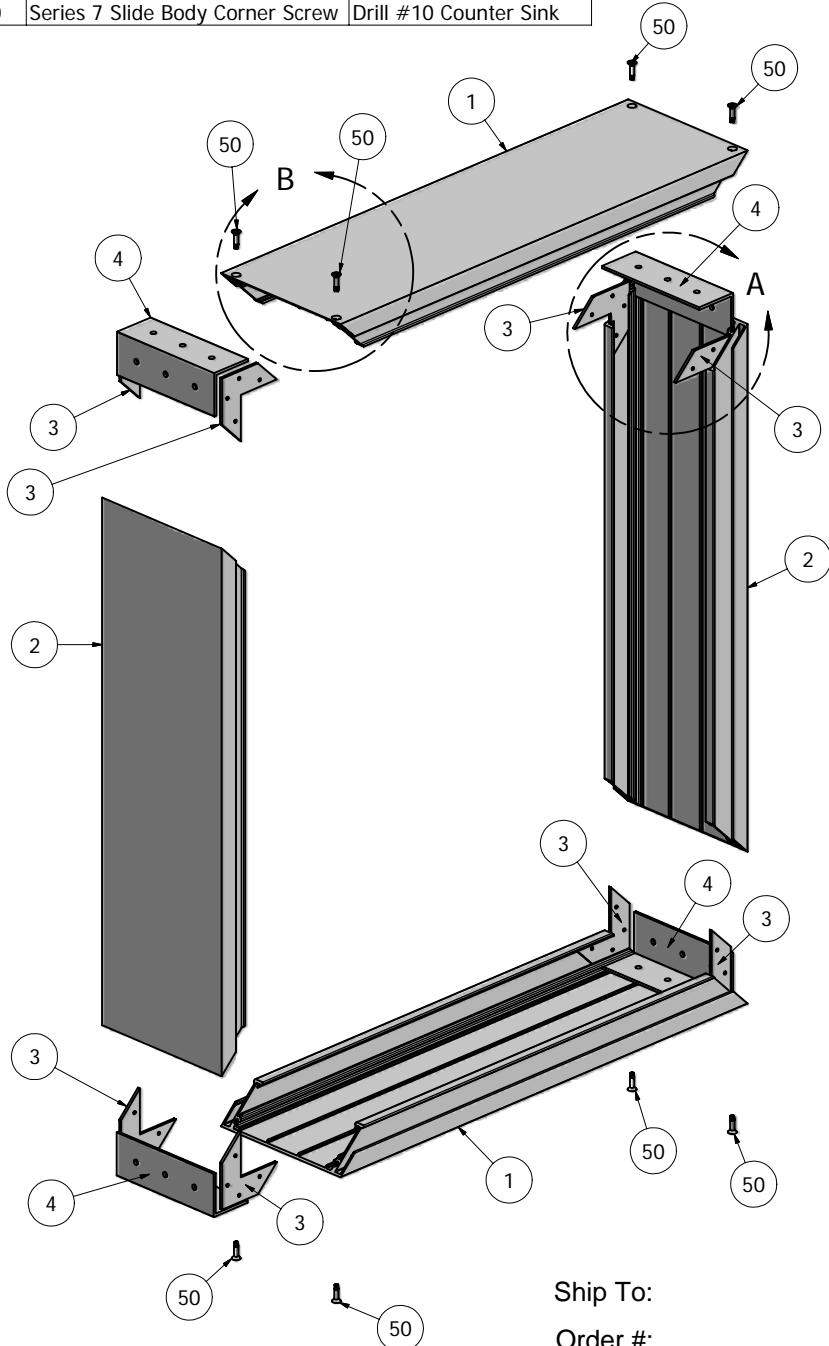
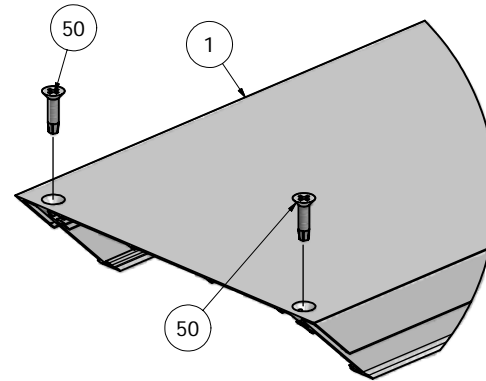


Parts List			
ITEM	PART #	DESCRIPTION	NOTES
1	1560	Series 7 Slide Body	Top & Bottom
2	1560	Series 7 Slide Body	Sides
3	5210	Corner Key	
4	5348	Series 7 Slide Body Corner Angle	
50	5240	Series 7 Slide Body Corner Screw	Drill #10 Counter Sink



DETAIL A



DETAIL B

NOTE: PRE-CUT KITS ARE NOT PRE-DRILLED.
 (Holes shown in this drawing are for reference only.
 Drilling of pilot holes are to be done by fabricator.)

Ship To:
 Order #:

THIS DRAWING WAS CREATED AT NO CHARGE TO ASSIST YOU IN VISUALIZING OUR PROPOSAL. THE DRAWING HEREIN IS THE PROPERTY OF SIGNCOMP. PERMISSION TO COPY OR REVISE THIS DRAWING OR TO USE THIS DRAWING FOR PRODUCTION IS STRICTLY PROHIBITED AND CAN ONLY BE COPIED, REVISED OR USED FOR PRODUCTION WITH THE EXPRESSED WRITTEN PERMISSION OF SIGNCOMP.			
DRAWN	2/6/2009	<div style="text-align: center;"> <h1>SignComp</h1> <p>Series 7 Slide Body - Assembly</p> </div>	
CHECKED			
QA			
MFG			
APPROVED			
SIZE	C	DWG NO	K1560
SCALE			REV
			SHEET 1 OF 1