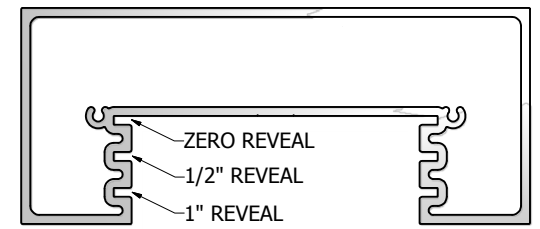
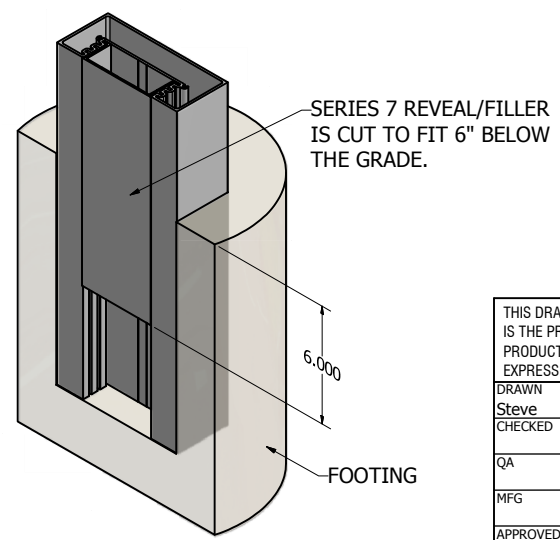
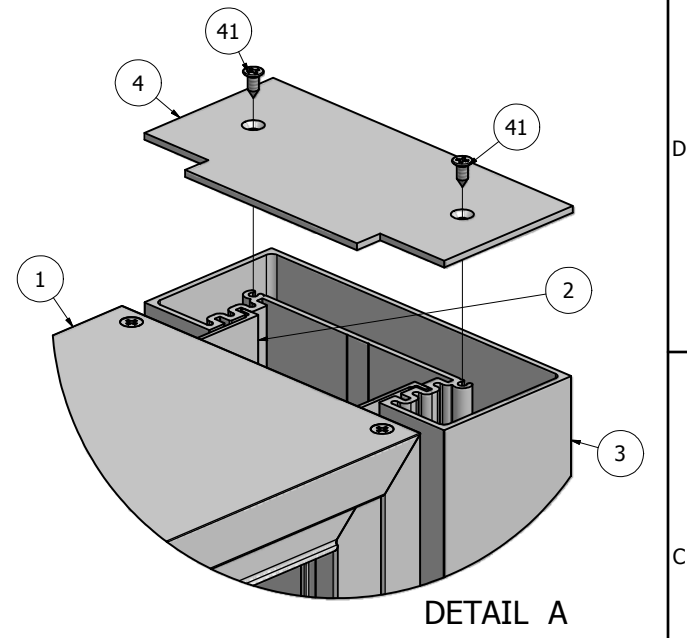
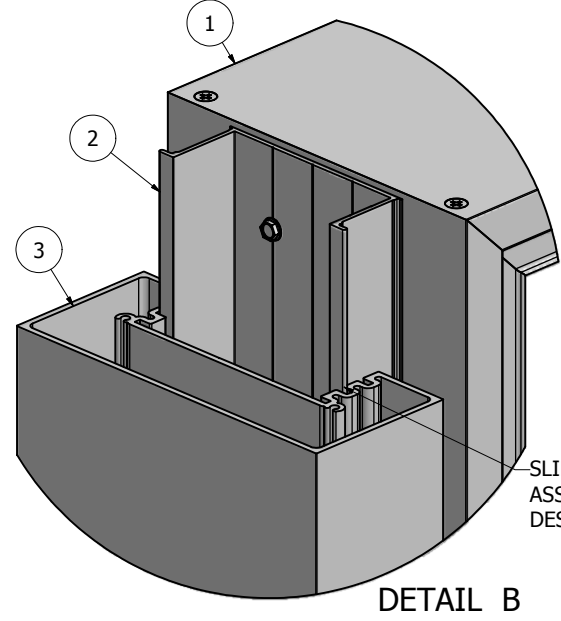
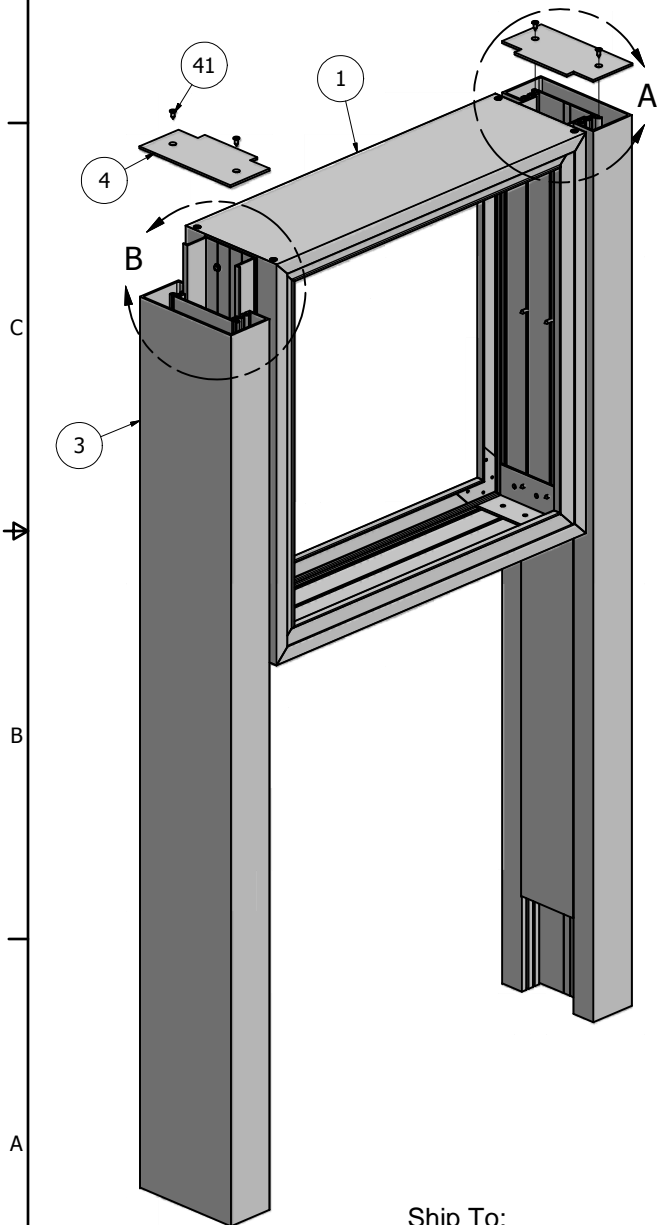


Parts List		NOTES
ITEM	PART #	DESCRIPTION
1	K1560-50	Series 7 Slide Body Assembly
2	1550	Series 7 Reveal
3	K1510-50	Series 7 Rectangular Post Assembly
4	Post Cap	Series 7 Rectangular Post Cap
41	5040	Cap Screw
		Slide assembly into post
		Attached to body
		Zero Reveal Part #5030, 1/2" Reveal Part #5034, 1" Reveal Part #5036
		2 - #10 x 1/2" counter sunk phillips head screws

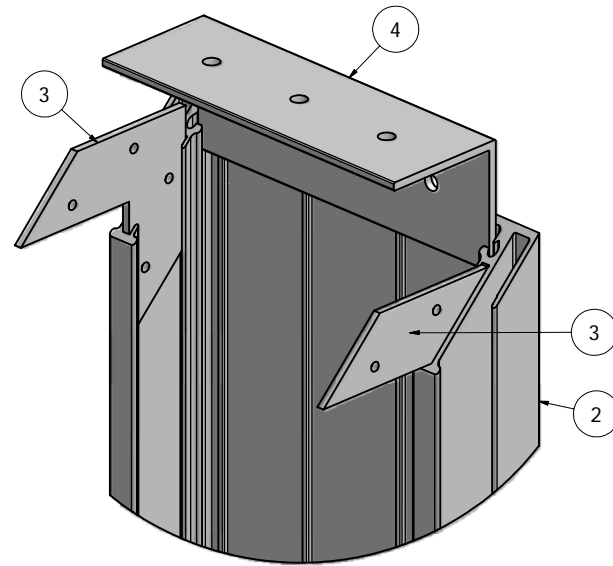
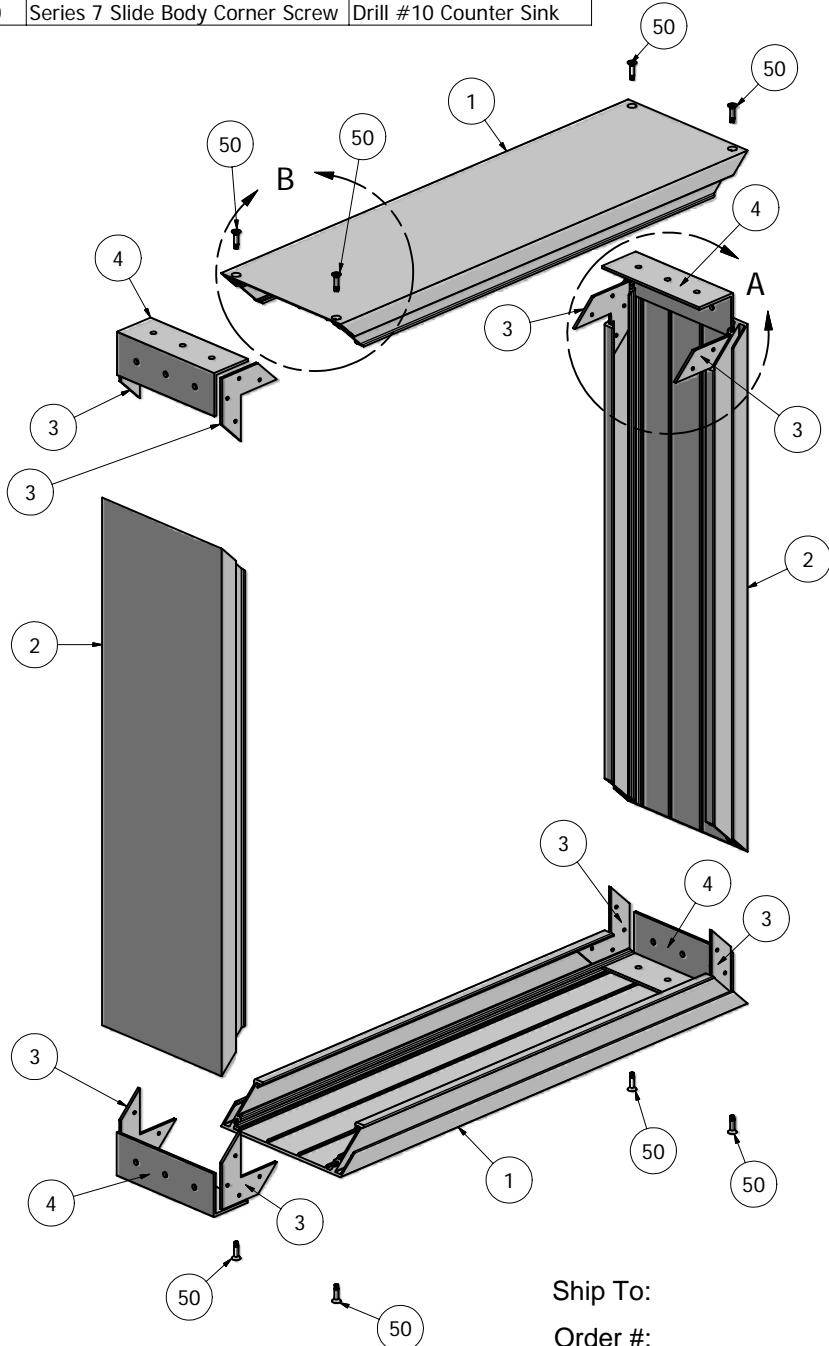


NOTE: PRE-CUT KITS ARE NOT PRE-DRILLED.
 (Holes shown in this drawing are for reference only.
 Drilling of pilot holes are to be done by fabricator.)

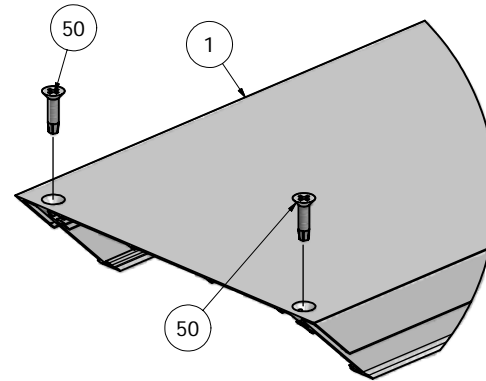
THIS DRAWING WAS CREATED AT NO CHARGE TO ASSIST YOU IN VISUALIZING OUR PROPOSAL. THE DRAWING HEREIN IS THE PROPERTY OF SIGNCOMP. PERMISSION TO COPY OR REVISE THIS DRAWING OR TO USE THIS DRAWING FOR PRODUCTION IS STRICTLY PROHIBITED AND CAN ONLY BE COPIED, REVISED OR USED FOR PRODUCTION WITH THE EXPRESSED WRITTEN PERMISSION OF SIGNCOMP.			
DRAWN	12/10/2009	SignComp	
Steve			
CHECKED		TITLE	
QA		Series 7 Slide Body - Series 7 Rectangular Post - Assembly	
MFG		SIZE	DWG NO
APPROVED		C	K1560-10-50
		SCALE	REV
			SHEET 1 OF 1

Ship To:
 Order #:

Parts List			
ITEM	PART #	DESCRIPTION	NOTES
1	1560	Series 7 Slide Body	Top & Bottom
2	1560	Series 7 Slide Body	Sides
3	5210	Corner Key	
4	5348	Series 7 Slide Body Corner Angle	
50	5240	Series 7 Slide Body Corner Screw	Drill #10 Counter Sink



DETAIL A



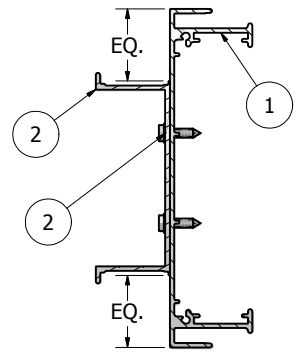
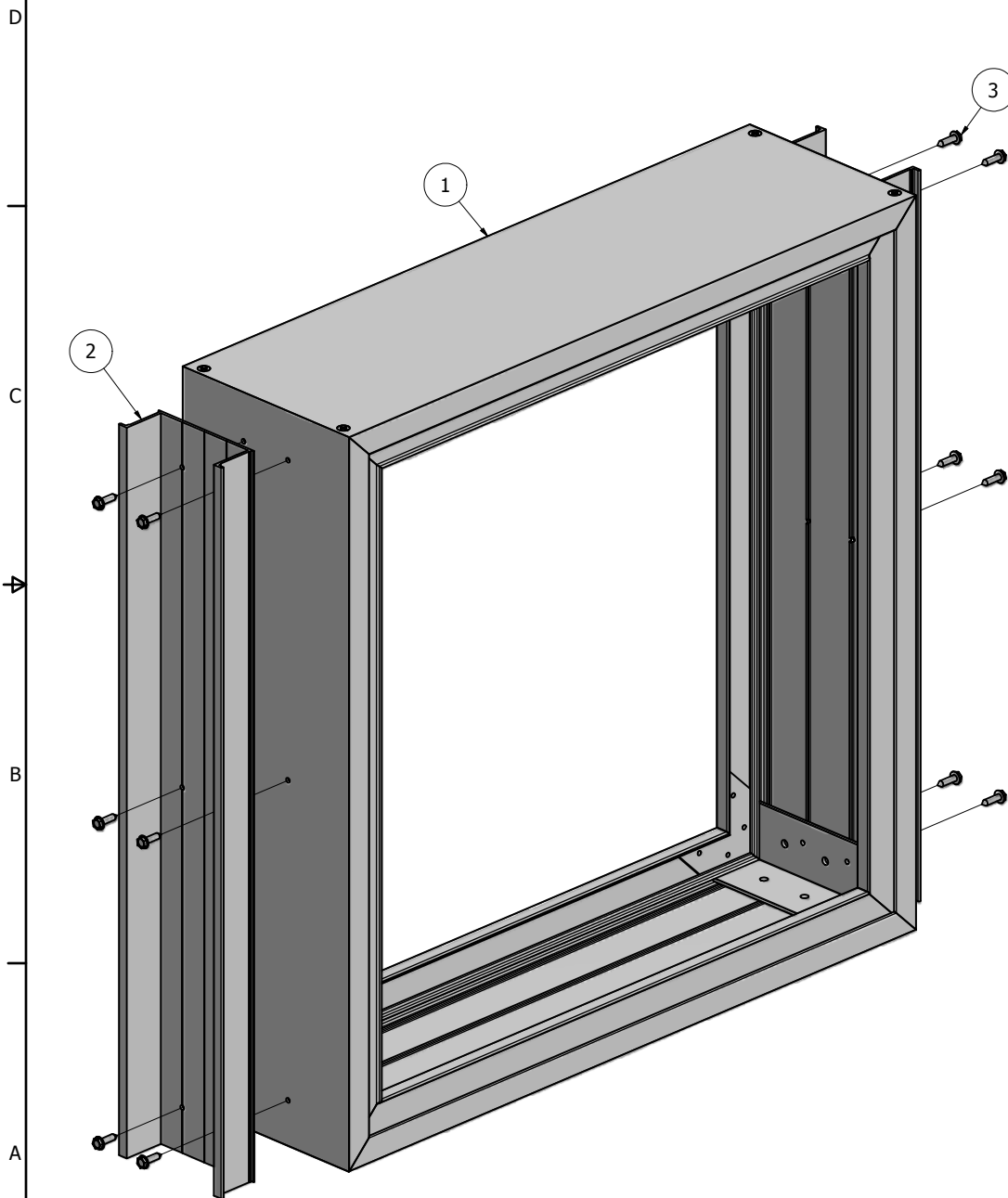
DETAIL B

NOTE: PRE-CUT KITS ARE NOT PRE-DRILLED.
 (Holes shown in this drawing are for reference only.
 Drilling of pilot holes are to be done by fabricator.)

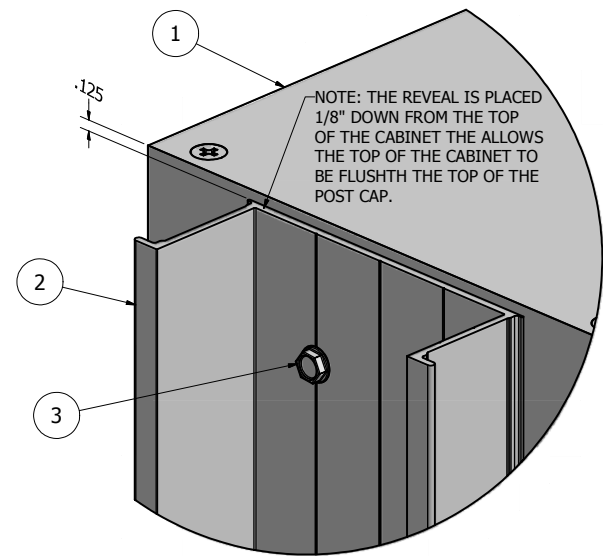
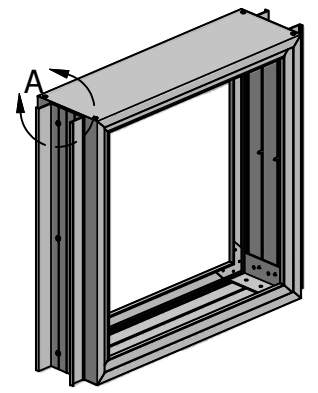
Ship To:
 Order #:

THIS DRAWING WAS CREATED AT NO CHARGE TO ASSIST YOU IN VISUALIZING OUR PROPOSAL. THE DRAWING HEREIN IS THE PROPERTY OF SIGNCOMP. PERMISSION TO COPY OR REVISE THIS DRAWING OR TO USE THIS DRAWING FOR PRODUCTION IS STRICTLY PROHIBITED AND CAN ONLY BE COPIED, REVISED OR USED FOR PRODUCTION WITH THE EXPRESSED WRITTEN PERMISSION OF SIGNCOMP.			
DRAWN	2/6/2009	<div style="text-align: center;"> <h1>SignComp</h1> <p>Series 7 Slide Body - Assembly</p> </div>	
CHECKED			
QA			
MFG			
APPROVED			
SIZE	C	DWG NO	K1560
SCALE			REV
			SHEET 1 OF 1

Parts List			
ITEM	PART #	DESCRIPTION	NOTES
1	K1560	Series 7 Slide Body	Assembly
2	1550	Series 7 Reveal	Attach to Slide Body
3	5220	Reveal to Body Screw	Drill 5/32" Pilot Hole in pairs 12" OC



SECTION B-B



DETAIL A

NOTE: PRE-CUT KITS ARE NOT PRE-DRILLED.
 (Holes shown in this drawing are for reference only.
 Drilling of pilot holes are to be done by fabricator.)

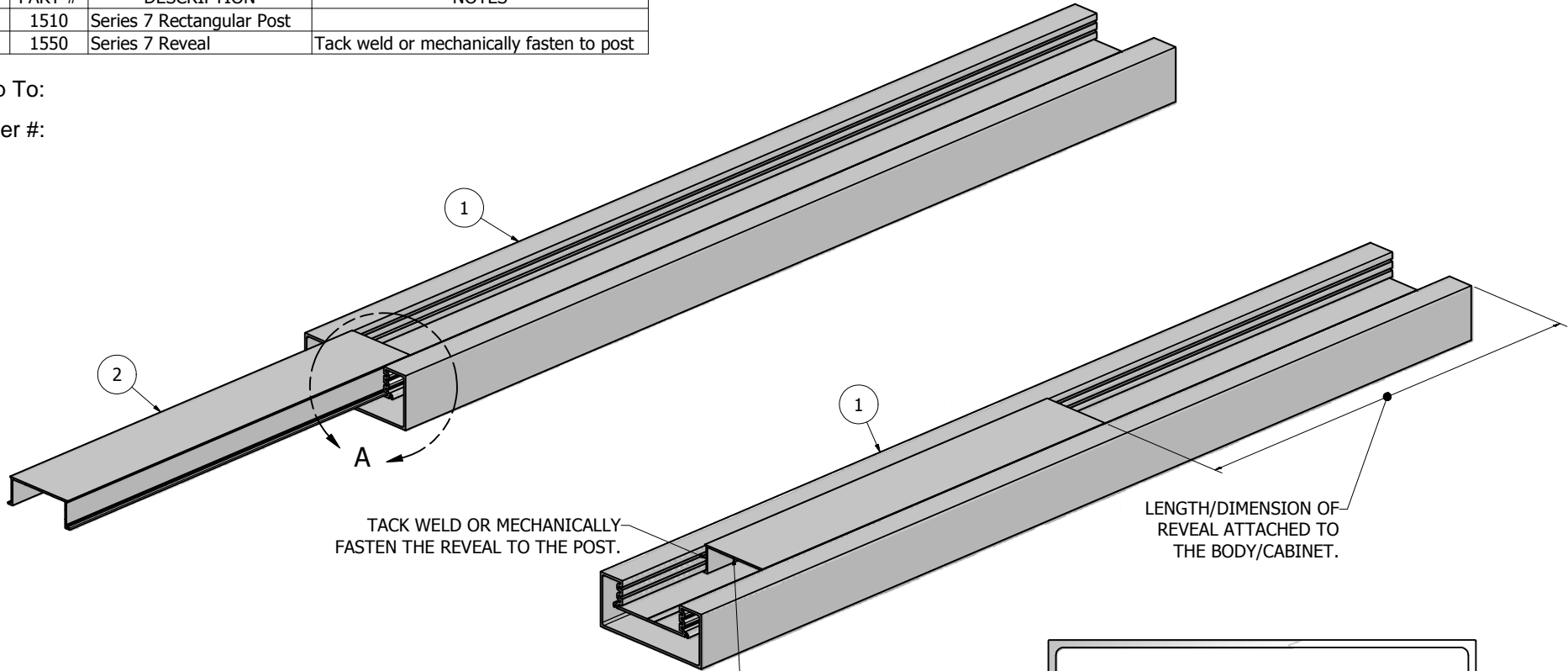
THIS DRAWING WAS CREATED AT NO CHARGE TO ASSIST YOU IN VISUALIZING OUR PROPOSAL. THE DRAWING HEREIN IS THE PROPERTY OF SIGNCOMP. PERMISSION TO COPY OR REVISE THIS DRAWING OR TO USE THIS DRAWING FOR PRODUCTION IS STRICTLY PROHIBITED AND CAN ONLY BE COPIED, REVISED OR USED FOR PRODUCTION WITH THE EXPRESSED WRITTEN PERMISSION OF SIGNCOMP.

DRAWN Steve	8/5/2009	SignComp		
CHECKED				
QA		TITLE K1560 with Series 7 Reveal - Reveal Attachment Detail		
MFG		SIZE C	DWG NO K1560/50	REV
APPROVED		SCALE	SHEET 1 OF 1	

Ship To:
 Order #:

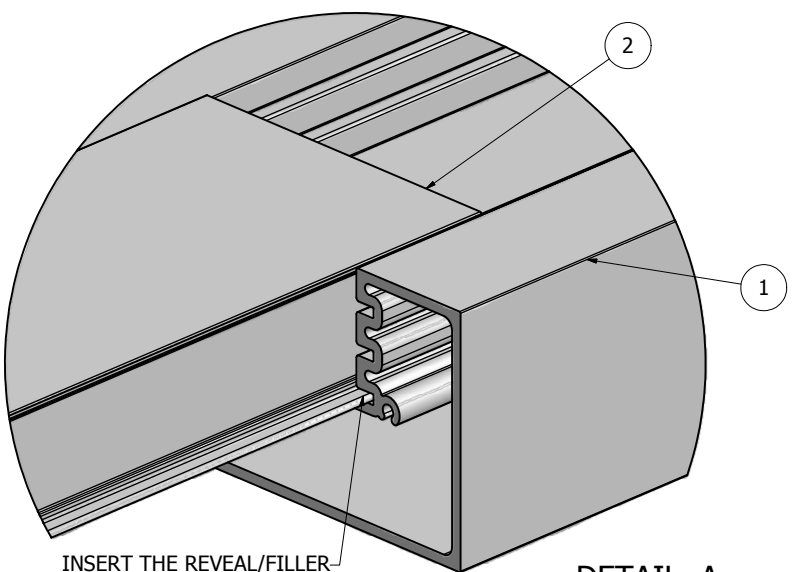
Parts List			
ITEM	PART #	DESCRIPTION	NOTES
1	1510	Series 7 Rectangular Post	
2	1550	Series 7 Reveal	Tack weld or mechanically fasten to post

Ship To:
Order #:



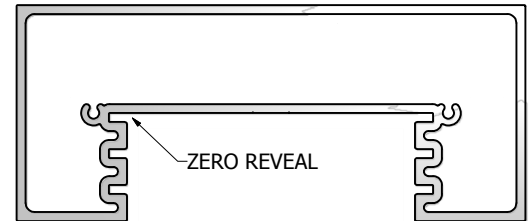
TACK WELD OR MECHANICALLY FASTEN THE REVEAL TO THE POST.

LENGTH/DIMENSION OF REVEAL ATTACHED TO THE BODY/CABINET.



INSERT THE REVEAL/FILLER INTO THE ZERO REVEAL POSITION. SLIDE IT UP INTO THE POST.

DETAIL A



NOTE: PRE-CUT KITS ARE NOT PRE-DRILLED.
(Holes shown in this drawing are for reference only. Drilling of pilot holes are to be done by fabricator.)

THIS DRAWING WAS CREATED AT NO CHARGE TO ASSIST YOU IN VISUALIZING OUR PROPOSAL. THE DRAWING HEREIN IS THE PROPERTY OF SIGNCOMP. PERMISSION TO COPY OR REVISE THIS DRAWING OR TO USE THIS DRAWING FOR PRODUCTION IS STRICTLY PROHIBITED AND CAN ONLY BE COPIED, REVISED OR USED FOR PRODUCTION WITH THE EXPRESSED WRITTEN PERMISSION OF SIGNCOMP.

DRAWN	Steve	8/6/2009	SignComp		
CHECKED					
QA			TITLE		
MFG			Series 7 Rectangular Post and Reveal/Filler Assembly		
APPROVED			SIZE	DWG NO	REV
			C	K1510-50	
			SCALE	SHEET 1 OF 1	