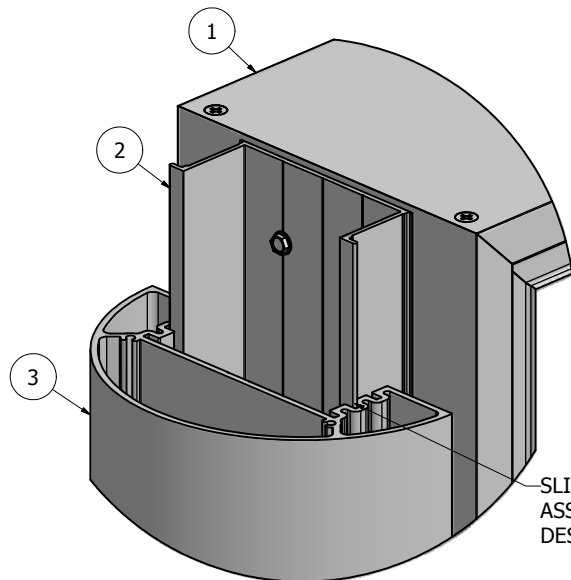
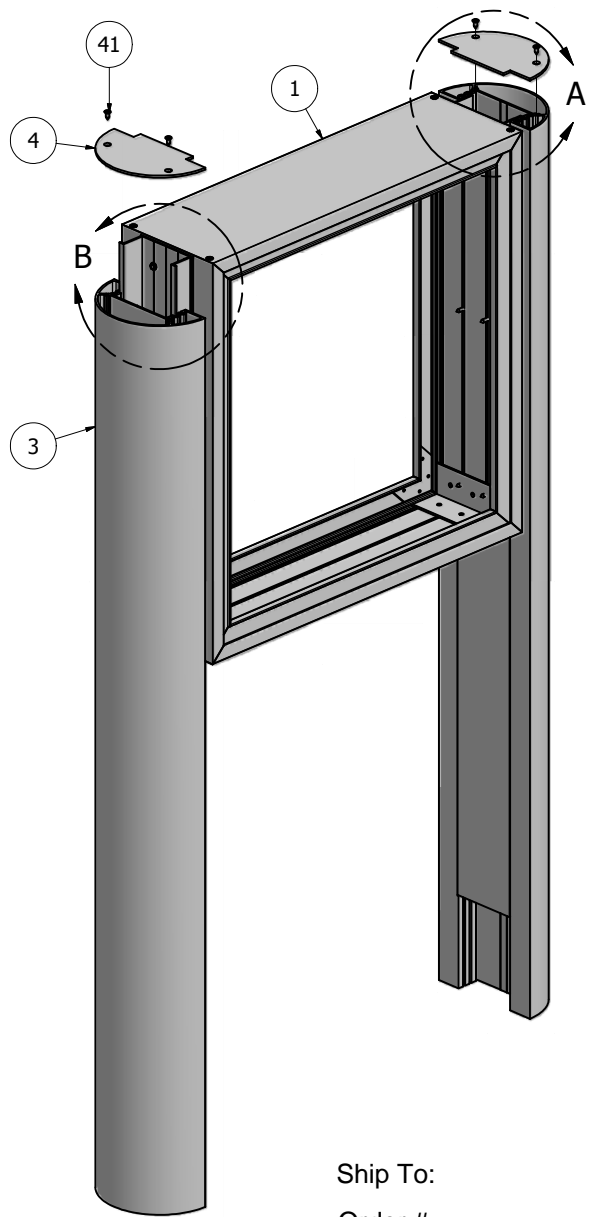
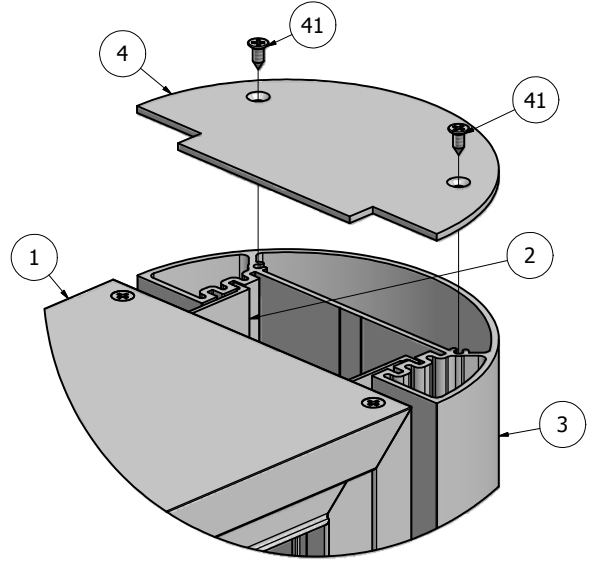


Parts List			
ITEM	PART #	DESCRIPTION	NOTES
1	K1560-50	Series 7 Slide Body Assembly	Slide assembly into post
2	1550	Series 7 Reveal	Attached to body
3	K1500-50	Series 7 Radius Post Assembly	
4	Post Cap	Series 7 Radius Post Cap	Zero Reveal Part #5020, 1/2" Reveal Part #5024, 1" Reveal Part #5026
41	5040	Cap Screw	2 - #10 x 1/2" counter sunk phillips head screws

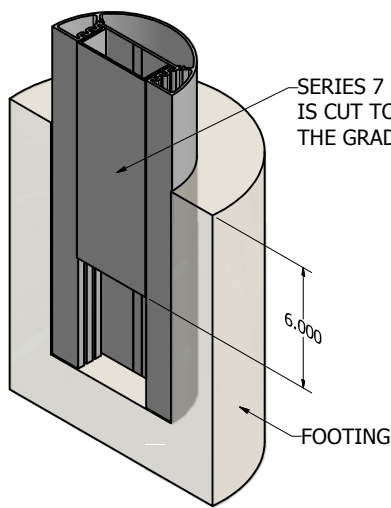


DETAIL B

SLIDE BODY/CABINET ASSEMBLY INTO THE DESIRED REVEAL POSITION.

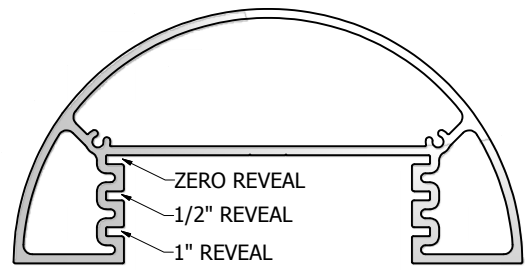


DETAIL A



SERIES 7 REVEAL/FILLER IS CUT TO FIT 6" BELOW THE GRADE.

FOOTING

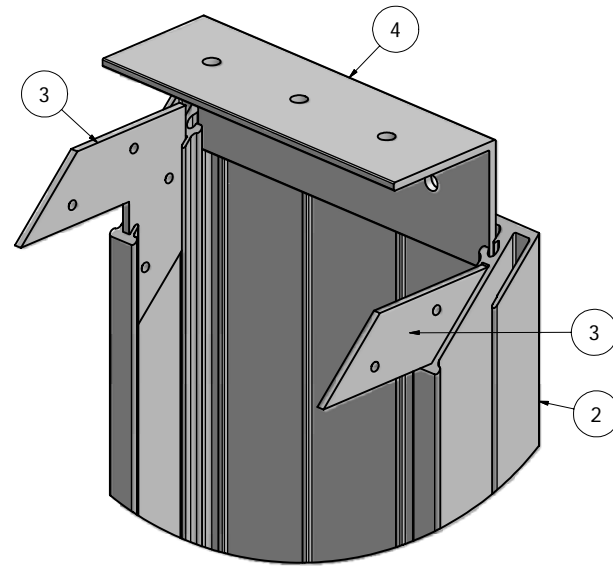
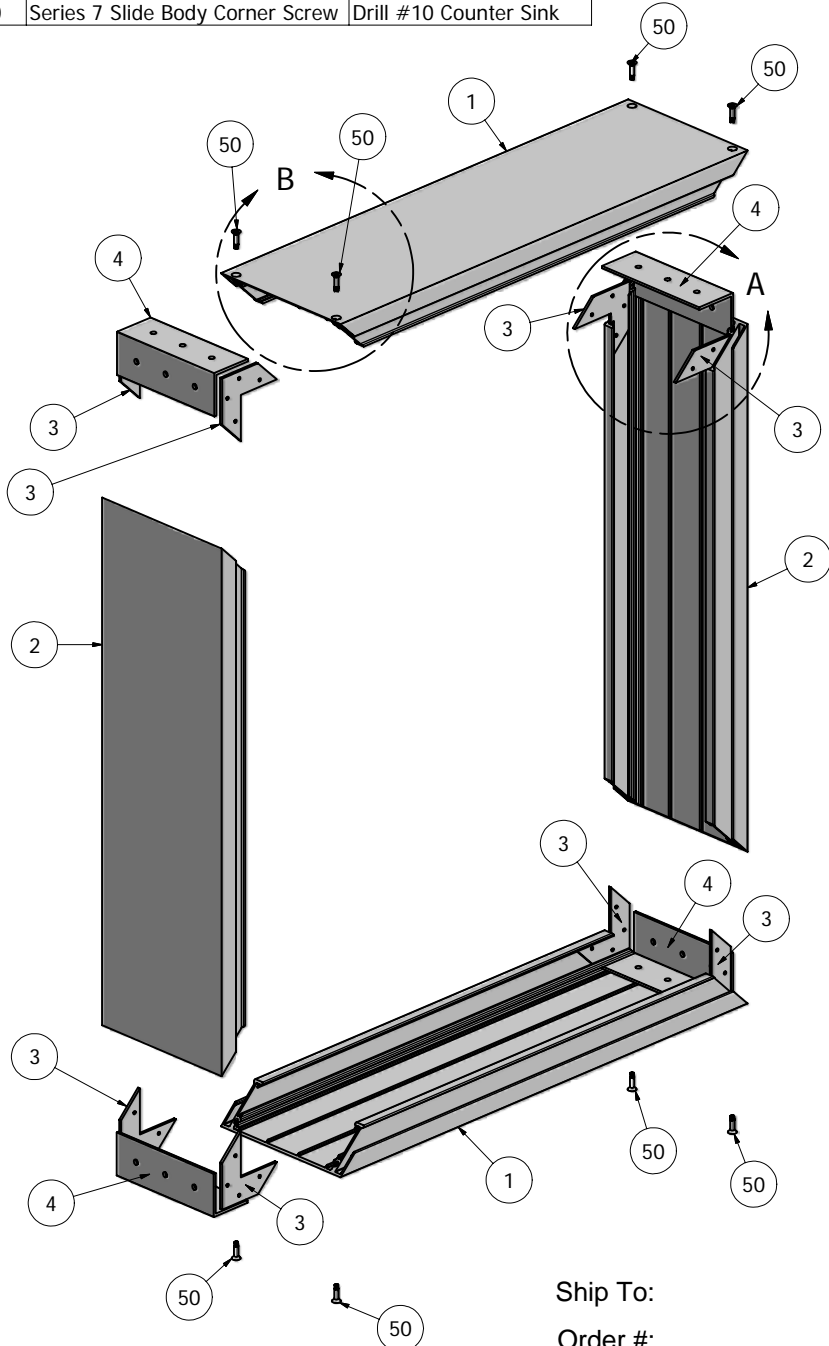


NOTE: PRE-CUT KITS ARE NOT PRE-DRILLED.
 (Holes shown in this drawing are for reference only.
 Drilling of pilot holes are to be done by fabricator.)

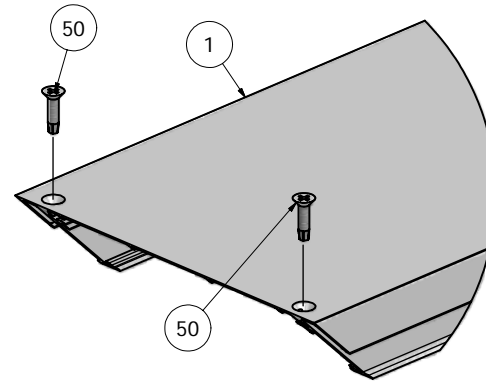
Ship To:
 Order #:

THIS DRAWING WAS CREATED AT NO CHARGE TO ASSIST YOU IN VISUALIZING OUR PROPOSAL. THE DRAWING HEREIN IS THE PROPERTY OF SIGNCOMP. PERMISSION TO COPY OR REVISE THIS DRAWING OR TO USE THIS DRAWING FOR PRODUCTION IS STRICTLY PROHIBITED AND CAN ONLY BE COPIED, REVISED OR USED FOR PRODUCTION WITH THE EXPRESSED WRITTEN PERMISSION OF SIGNCOMP.			
DRAWN Steve	12/10/2009	SignComp	
CHECKED			
QA		TITLE Series 7 Slide Body - Series 7 Radius Post - Assembly	
MFG		SIZE C	DWG NO K1560-00-50
APPROVED		SCALE	REV
			SHEET 1 OF 1

Parts List			
ITEM	PART #	DESCRIPTION	NOTES
1	1560	Series 7 Slide Body	Top & Bottom
2	1560	Series 7 Slide Body	Sides
3	5210	Corner Key	
4	5348	Series 7 Slide Body Corner Angle	
50	5240	Series 7 Slide Body Corner Screw	Drill #10 Counter Sink



DETAIL A



DETAIL B

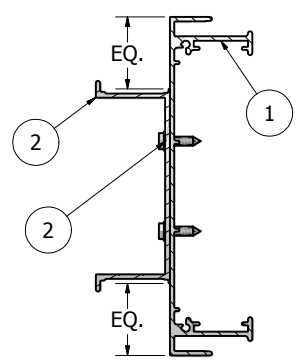
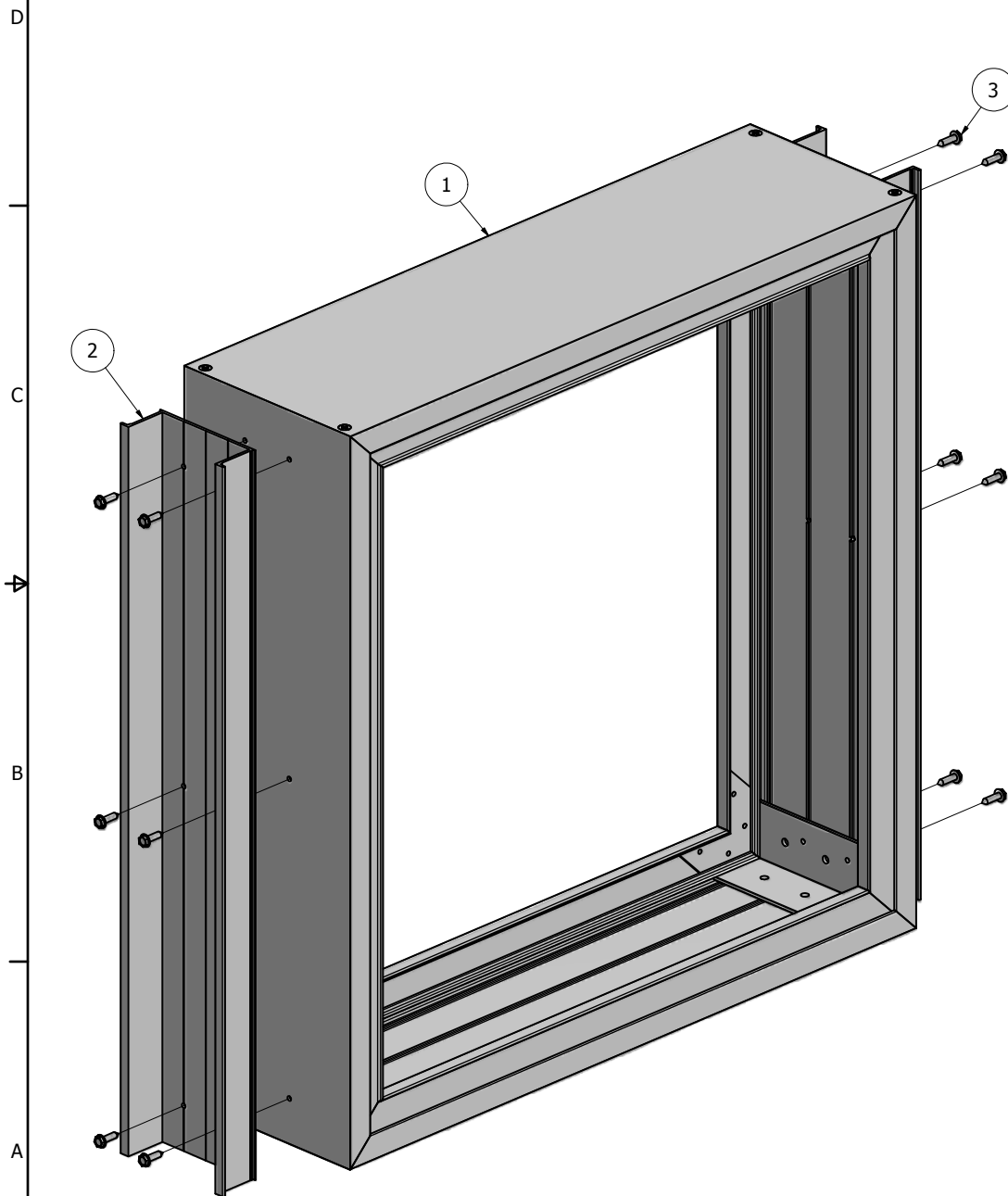
NOTE: PRE-CUT KITS ARE NOT PRE-DRILLED.
 (Holes shown in this drawing are for reference only.
 Drilling of pilot holes are to be done by fabricator.)

THIS DRAWING WAS CREATED AT NO CHARGE TO ASSIST YOU IN VISUALIZING OUR PROPOSAL. THE DRAWING HEREIN IS THE PROPERTY OF SIGNCOMP. PERMISSION TO COPY OR REVISE THIS DRAWING OR TO USE THIS DRAWING FOR PRODUCTION IS STRICTLY PROHIBITED AND CAN ONLY BE COPIED, REVISED OR USED FOR PRODUCTION WITH THE EXPRESSED WRITTEN PERMISSION OF SIGNCOMP.

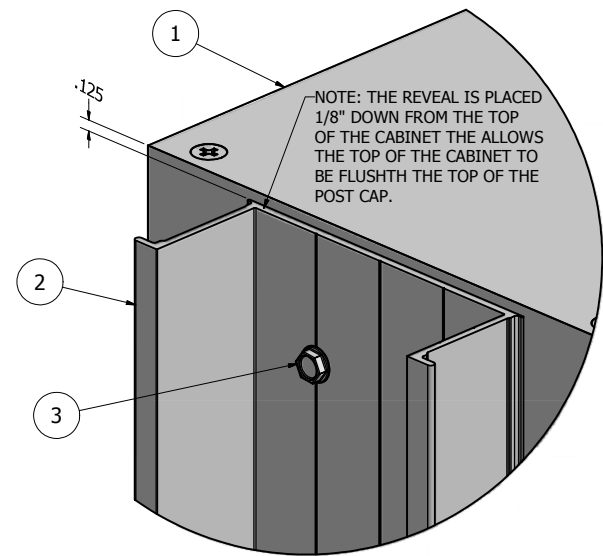
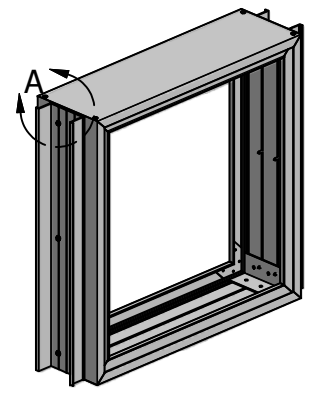
DRAWN	Steve	2/6/2009	<h1>SignComp</h1> <p>Series 7 Slide Body - Assembly</p>		
CHECKED					
QA					
MFG					
APPROVED			SIZE	DWG NO	REV
			C	K1560	
			SCALE	SHEET 1 OF 1	

Ship To:
 Order #:

Parts List			
ITEM	PART #	DESCRIPTION	NOTES
1	K1560	Series 7 Slide Body	Assembly
2	1550	Series 7 Reveal	Attach to Slide Body
3	5220	Reveal to Body Screw	Drill 5/32" Pilot Hole in pairs 12" OC



SECTION B-B



DETAIL A

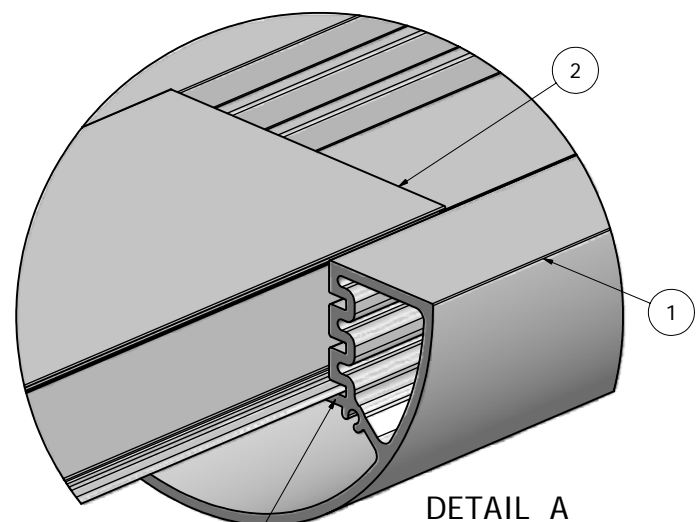
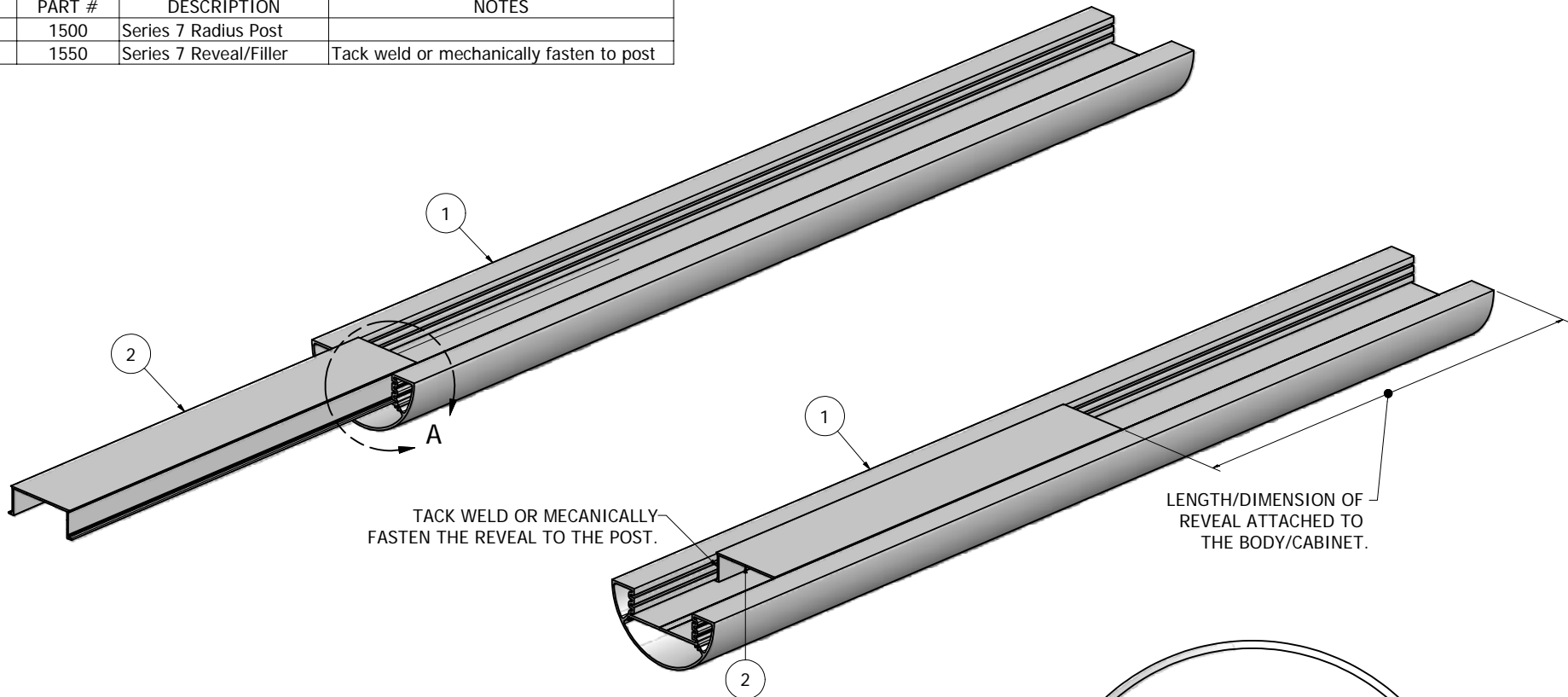
NOTE: PRE-CUT KITS ARE NOT PRE-DRILLED.
 (Holes shown in this drawing are for reference only.
 Drilling of pilot holes are to be done by fabricator.)

THIS DRAWING WAS CREATED AT NO CHARGE TO ASSIST YOU IN VISUALIZING OUR PROPOSAL. THE DRAWING HEREIN IS THE PROPERTY OF SIGNCOMP. PERMISSION TO COPY OR REVISE THIS DRAWING OR TO USE THIS DRAWING FOR PRODUCTION IS STRICTLY PROHIBITED AND CAN ONLY BE COPIED, REVISED OR USED FOR PRODUCTION WITH THE EXPRESSED WRITTEN PERMISSION OF SIGNCOMP.

DRAWN	8/5/2009	SignComp	
Steve			
CHECKED		TITLE	
QA		K1560 with Series 7 Reveal - Reveal Attachment Detail	
MFG		SIZE	DWG NO
APPROVED		C	K1560/50
		SCALE	REV
			SHEET 1 OF 1

Ship To:
 Order #:

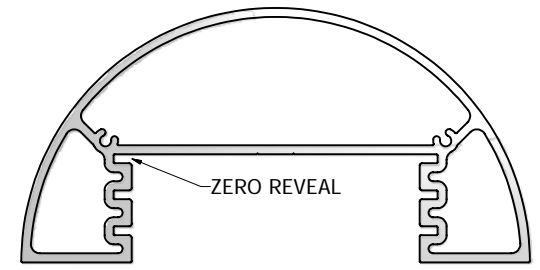
Parts List			
ITEM	PART #	DESCRIPTION	NOTES
1	1500	Series 7 Radius Post	
2	1550	Series 7 Reveal/Filler	Tack weld or mechanically fasten to post



INSERT THE REVEAL/FILLER INTO THE ZERO REVEAL POSTION. SLIDED IT UP INTO THE POST.

DETAIL A

Ship To:
Order #:



NOTE: PRE-CUT KITS ARE NOT PRE-DRILLED.
(Holes shown in this drawing are for reference only. Drilling of pilot holes are to be done by fabricator.)

THIS DRAWING WAS CREATED AT NO CHARGE TO ASSIST YOU IN VISUALIZING OUR PROPOSAL. THE DRAWING HEREIN IS THE PROPERTY OF SIGNCOMP. PERMISSION TO COPY OR REVISE THIS DRAWING OR TO USE THIS DRAWING FOR PRODUCTION IS STRICTLY PROHIBITED AND CAN ONLY BE COPIED, REVISED OR USED FOR PRODUCTION WITH THE EXPRESSED WRITTEN PERMISSION OF SIGNCOMP.

DRAWN Steve	8/5/2009	SignComp	
CHECKED			
QA		TITLE	
MFG		Series 7 Radius Post and Reveal/Filler Assembly	
APPROVED		SIZE C	DWG NO K1500-50
		SCALE	REV
			SHEET 1 OF 1