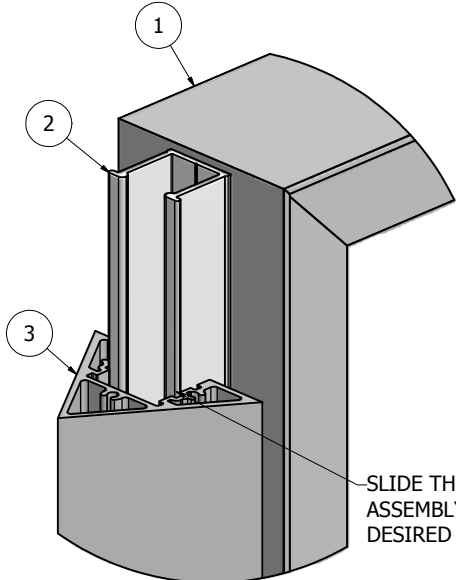
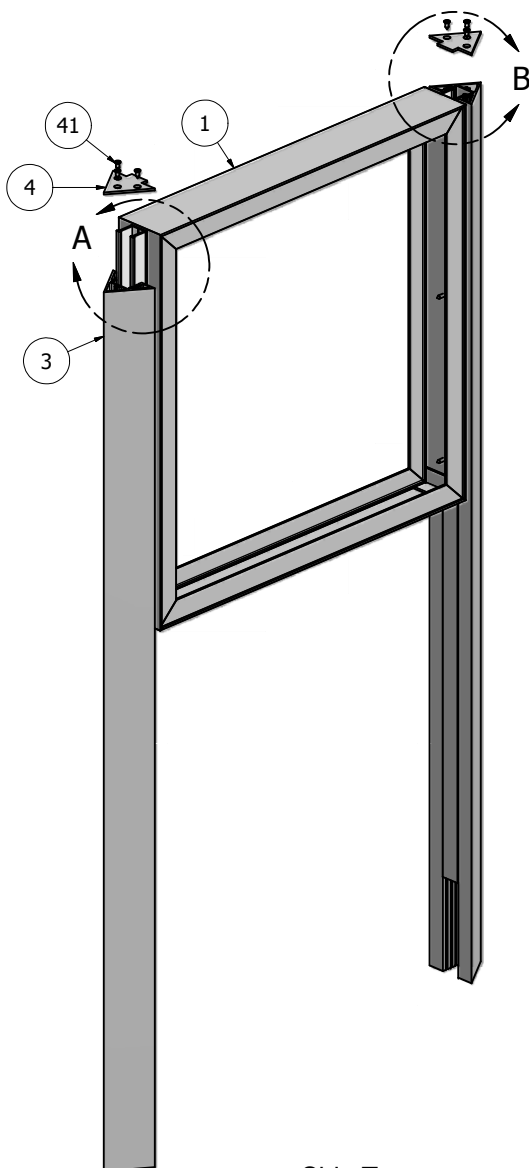
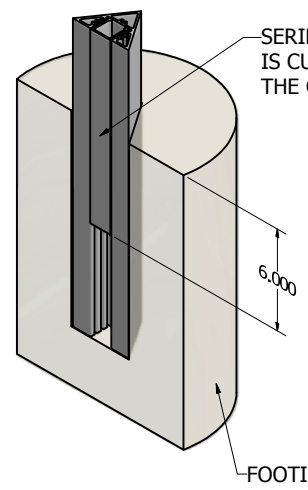


| Parts List |          |                                     |  |
|------------|----------|-------------------------------------|--|
| ITEM       | PART #   | DESCRIPTION                         | NOTES  |
| 1          | 1270     | Series 3 Bleed Body - Assembly      | Slide assembly into post   |
| 2          | 1200     | Series 2/3 Reveal                   | Attached to Body   |
| 3          | 1240     | Series 3 Triangular Post - Assembly |  |
| 4          | Post Cap | Series 3 Triangler Post Cap         | Zero Reveal Part #5015, 3/8" Reveal Part #5016, 3/4" Reveal Part #5017 |
| 41         | 5040     | Post Cap Screw                      | 3 - #10 x 1/2" counter sunk phillis head screws per post               |



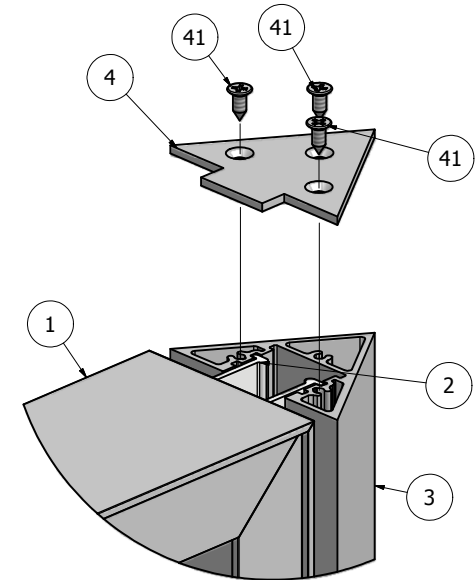
DETAIL A

SLIDE THE BODY/CABINET ASSEMBLY INTO THE DESIRED REVEAL POSTION.

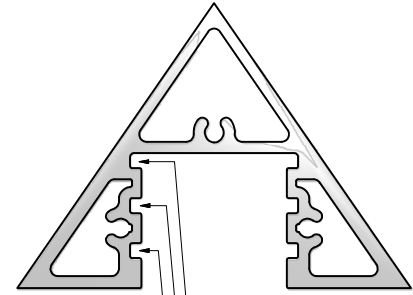


SERIES 2/3 REVEAL/FILLER IS CUT TO FIT 6" BELOW THE GRADE.

FOOTING



DETAIL B



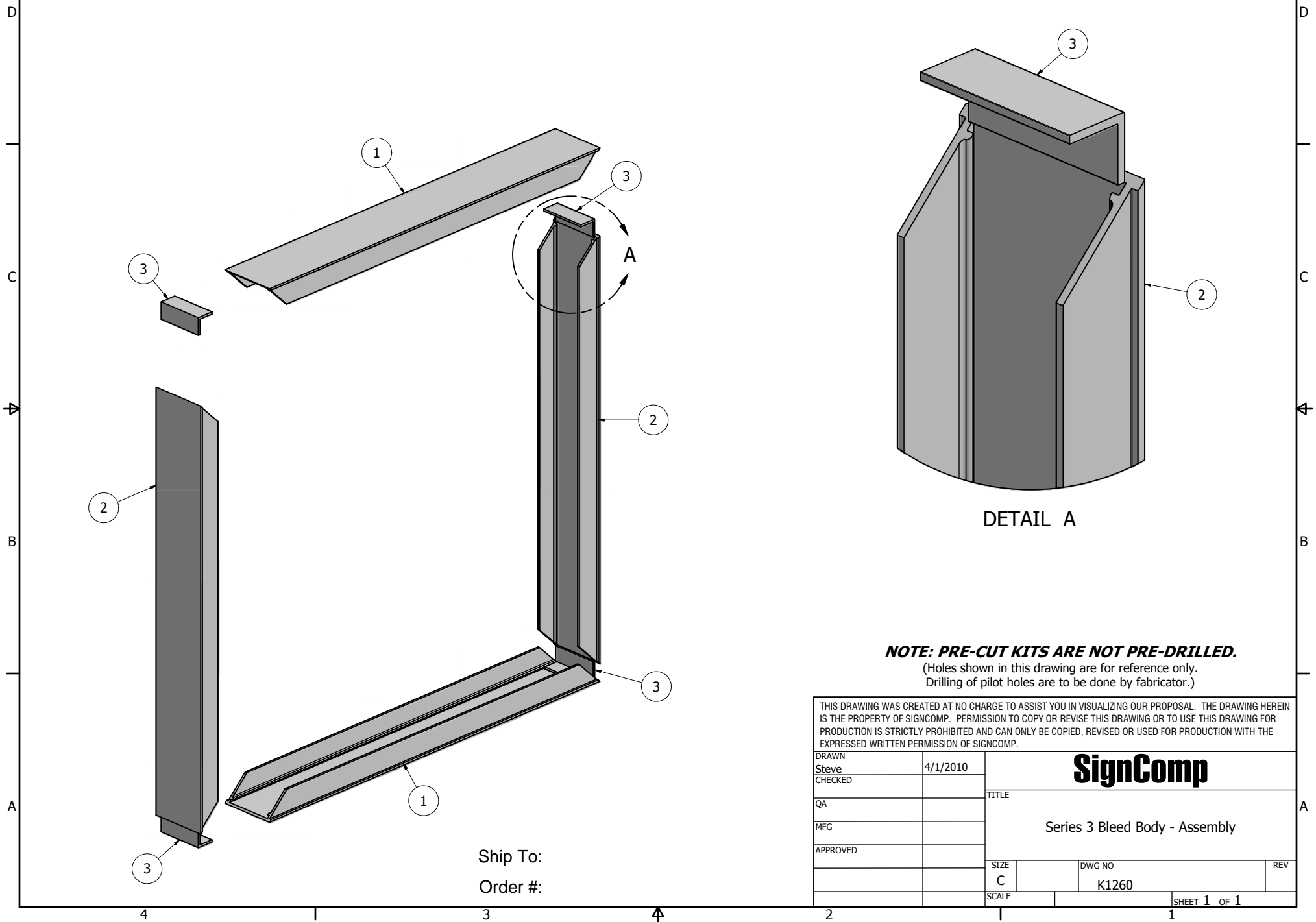
ZERO REVEAL  
3/8" REVEAL  
3/4" REVEAL

**NOTE: PRE-CUT KITS ARE NOT PRE-DRILLED.**  
(Holes shown in this drawing are for reference only.  
Drilling of pilot holes are to be done by fabricator.)

|   |           |  |                       |     |
|---|-----------|--|-----------------------|-----|
| THIS DRAWING WAS CREATED AT NO CHARGE TO ASSIST YOU IN VISUALIZING OUR PROPOSAL. THE DRAWING HEREIN IS THE PROPERTY OF SIGNCOMP. PERMISSION TO COPY OR REVISE THIS DRAWING OR TO USE THIS DRAWING FOR PRODUCTION IS STRICTLY PROHIBITED AND CAN ONLY BE COPIED, REVISED OR USED FOR PRODUCTION WITH THE EXPRESSED WRITTEN PERMISSION OF SIGNCOMP. |           |  |                       |     |
| DRAWN<br>Steve  | 5/24/2010 | <b>SignComp</b>  |                       |     |
| CHECKED   |           |  |                       |     |
| QA  |           |  |                       |     |
| MFG   |           |  |                       |     |
| APPROVED  |           | TITLE<br>Series 3 Bleed Body - Series 3 Triangular Post - Assembly |                       |     |
|   |           | SIZE<br>C  | DWG NO<br>K1270-40-00 | REV |
|   |           | SCALE  | SHEET 1 OF 1          |     |

Ship To:  
Order #:

| Parts List |        |                                  |              |
|------------|--------|----------------------------------|--------------|
| ITEM       | PART # | DESCRIPTION                      | NOTES        |
| 1          | 1270   | Series 3 Bleed Body              | Top & Bottom |
| 2          | 1270   | Series 3 Bleed Body              | Sides        |
| 3          | 5337   | Series 3 Bleed Body Corner Angle |              |



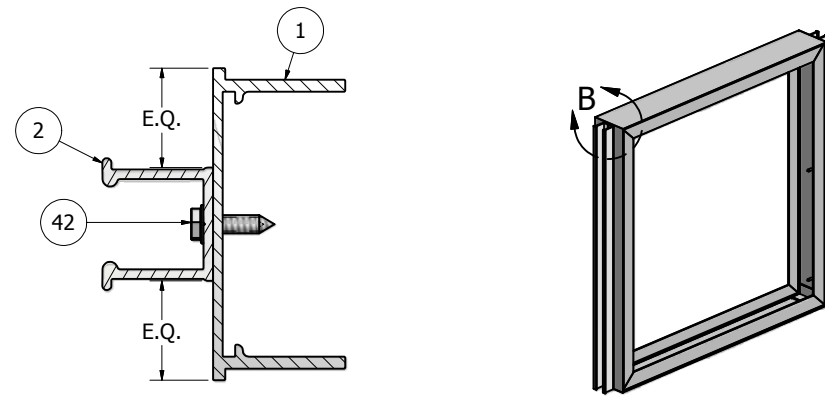
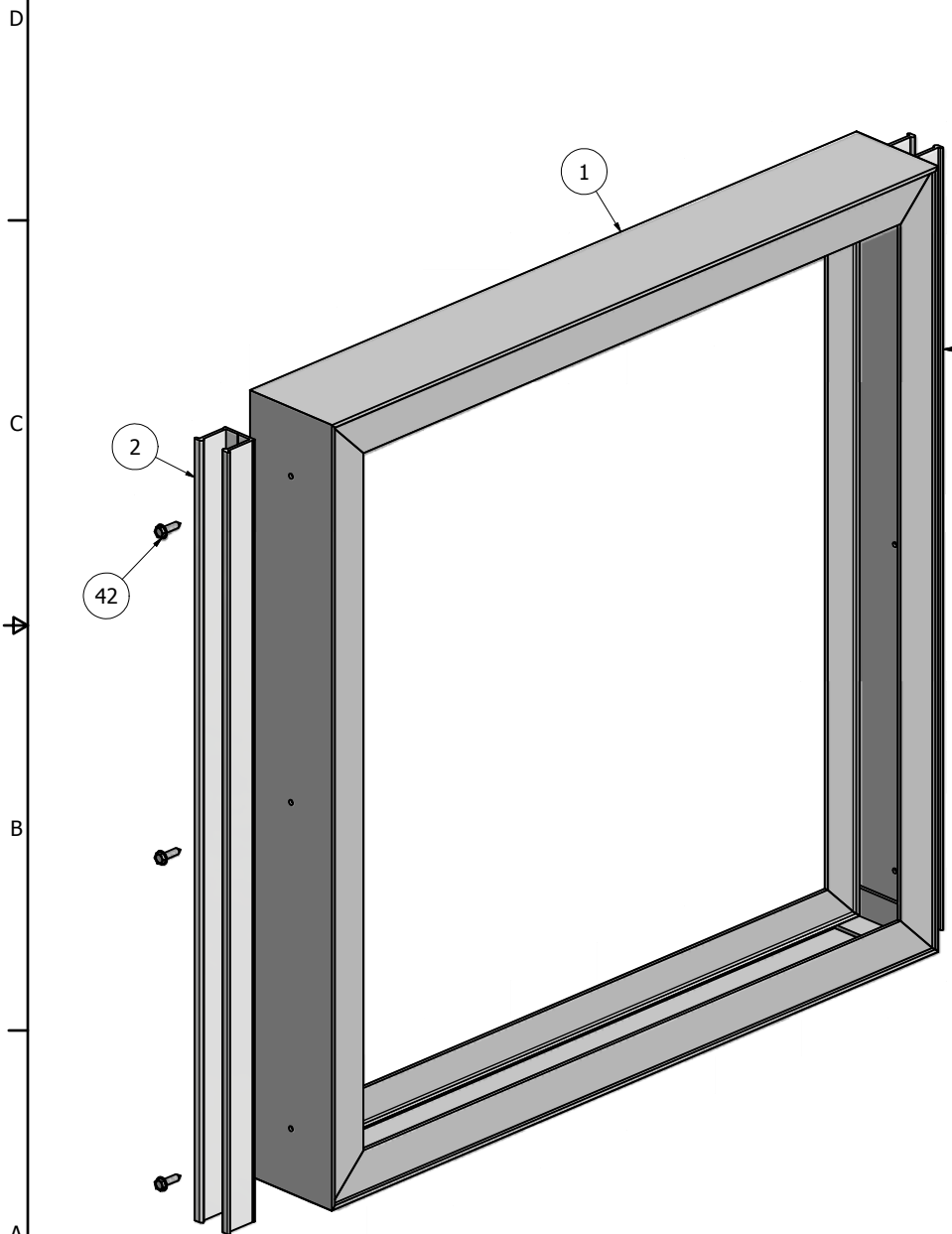
DETAIL A

**NOTE: PRE-CUT KITS ARE NOT PRE-DRILLED.**  
 (Holes shown in this drawing are for reference only.  
 Drilling of pilot holes are to be done by fabricator.)

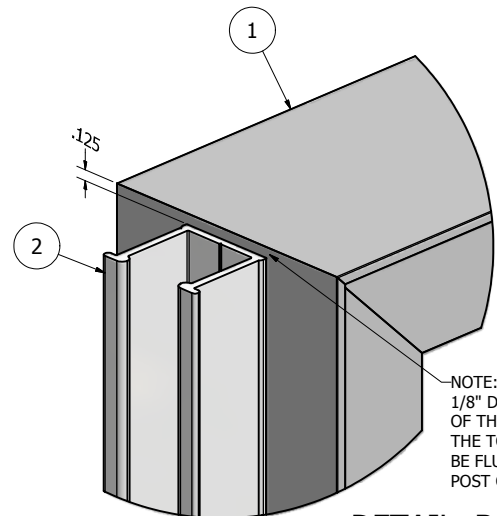
|   |          |   |              |
|---|----------|---|--------------|
| THIS DRAWING WAS CREATED AT NO CHARGE TO ASSIST YOU IN VISUALIZING OUR PROPOSAL. THE DRAWING HEREIN IS THE PROPERTY OF SIGNCOMP. PERMISSION TO COPY OR REVISE THIS DRAWING OR TO USE THIS DRAWING FOR PRODUCTION IS STRICTLY PROHIBITED AND CAN ONLY BE COPIED, REVISED OR USED FOR PRODUCTION WITH THE EXPRESSED WRITTEN PERMISSION OF SIGNCOMP. |          |   |              |
| DRAWN   | 4/1/2010 | <h1>SignComp</h1> <p>Series 3 Bleed Body - Assembly</p> |              |
| CHECKED   |          |   |              |
| QA  |          |   |              |
| MFG   |          |   |              |
| APPROVED  |          |   |              |
| SIZE  | C        | DWG NO  | K1260        |
| SCALE   |          |   | REV          |
|   |          |   | SHEET 1 OF 1 |

Ship To:  
 Order #:

| Parts List |        |                      |                               |
|------------|--------|----------------------|-------------------------------|
| ITEM       | PART # | DESCRIPTION          | NOTES                         |
| 1          | K1270  | Series 3 Bleed Body  | Assembly                      |
| 2          | 1200   | Series 2/3 Reveal    | Attach to Bleed Body          |
| 42         | 5220   | Reveal to Body Screw | Drill 5/32" pilot hole 12" OC |



SECTION A-A



NOTE: THE REVEAL IS PLACED 1/8" DOWN FROM THE TOP OF THE CABINET THE ALLOWS THE TOP OF THE CABINET TO BE FLUSH WITH THE TOP OF THE POST CAP.

DETAIL B

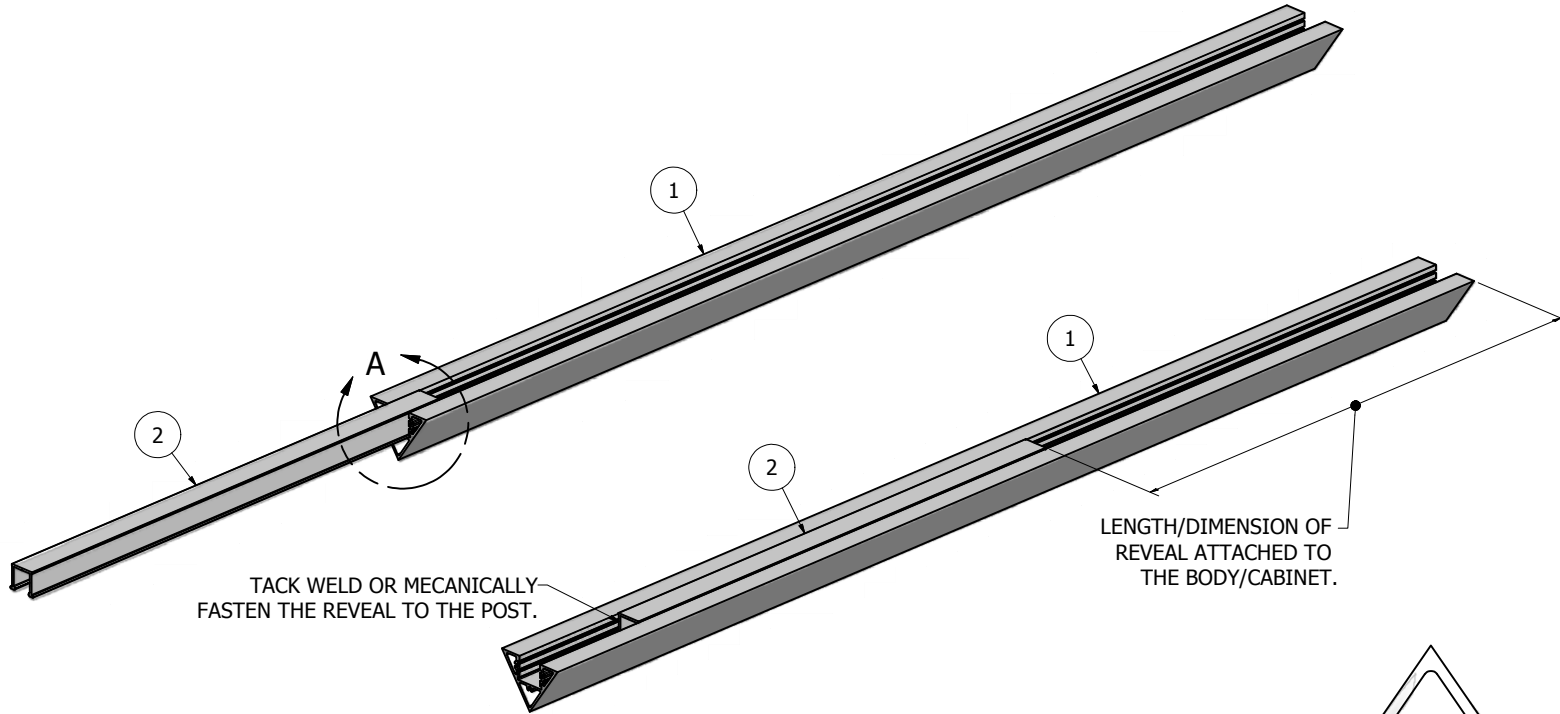
**NOTE: PRE-CUT KITS ARE NOT PRE-DRILLED.**  
 (Holes shown in this drawing are for reference only.  
 Drilling of pilot holes are to be done by fabricator.)

THIS DRAWING WAS CREATED AT NO CHARGE TO ASSIST YOU IN VISUALIZING OUR PROPOSAL. THE DRAWING HEREIN IS THE PROPERTY OF SIGNCOMP. PERMISSION TO COPY OR REVISE THIS DRAWING OR TO USE THIS DRAWING FOR PRODUCTION IS STRICTLY PROHIBITED AND CAN ONLY BE COPIED, REVISED OR USED FOR PRODUCTION WITH THE EXPRESSED WRITTEN PERMISSION OF SIGNCOMP.

|          |          |  |              |
|----------|----------|--|--------------|
| DRAWN    | 4/1/2010 | <b>SignComp</b>                                    |              |
| CHECKED  |          |  |              |
| QA       |          | TITLE  |              |
| MFG      |          | Series 3 Bleed Body - Series 2/3 Reveal - Assembly |              |
| APPROVED |          | SIZE   | DWG NO       |
|          |          | C  | K1270-00     |
|          |          | SCALE  | REV          |
|          |          |  | SHEET 1 OF 1 |

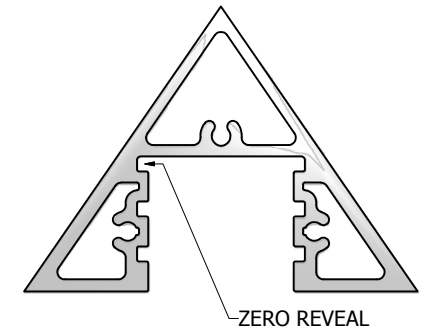
Ship To:  
 Order #:

| Parts List |        |                                 |  |
|------------|--------|---------------------------------|--|
| ITEM       | PART # | DESCRIPTION                     | NOTES                                    |
| 1          | 1240   | Series 3, 3-1/4" Trianglur Post |  |
| 2          | 1200   | Series 2/3 Reveal               | Tack weld or mechanically fasten to post |

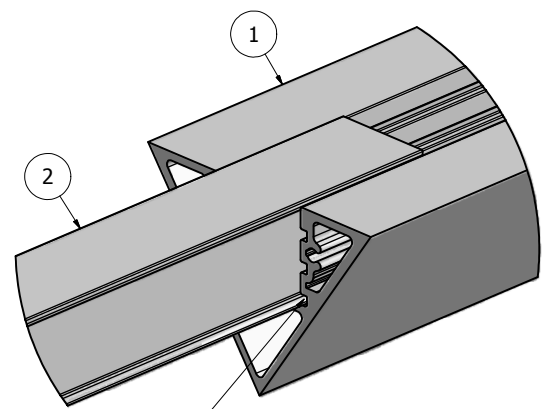


TACK WELD OR MECANICALLY FASTEN THE REVEAL TO THE POST.

LENGTH/DIMENSION OF REVEAL ATTACHED TO THE BODY/CABINET.



**NOTE: PRE-CUT KITS ARE NOT PRE-DRILLED.**  
 (Holes shown in this drawing are for reference only.  
 Drilling of pilot holes are to be done by fabricator.)



INSERT THE REVEAL/FILLER INTO THE ZERO REVEAL POSTION. SLIDED IT UP INTO THE POST.

DETAIL A

Ship To:  
 Order #:

|   |           |   |              |
|---|-----------|---|--------------|
| THIS DRAWING WAS CREATED AT NO CHARGE TO ASSIST YOU IN VISUALIZING OUR PROPOSAL. THE DRAWING HEREIN IS THE PROPERTY OF SIGNCOMP. PERMISSION TO COPY OR REVISE THIS DRAWING OR TO USE THIS DRAWING FOR PRODUCTION IS STRICTLY PROHIBITED AND CAN ONLY BE COPIED, REVISED OR USED FOR PRODUCTION WITH THE EXPRESSED WRITTEN PERMISSION OF SIGNCOMP. |           |   |              |
| DRAWN   | 4/20/2010 | <div style="text-align: center;"><b>SignComp</b></div>          |              |
| CHECKED   |           |   |              |
| QA  |           |   |              |
| MFG   |           |   |              |
| APPROVED  |           |   |              |
| TITLE   |           | Series 3, 3-1/4" Triangular Post - Series 2/3 Reveal - Assembly |              |
| SIZE  | C         | DWG NO  | K1240-00     |
| SCALE   |           |   | SHEET 1 OF 1 |