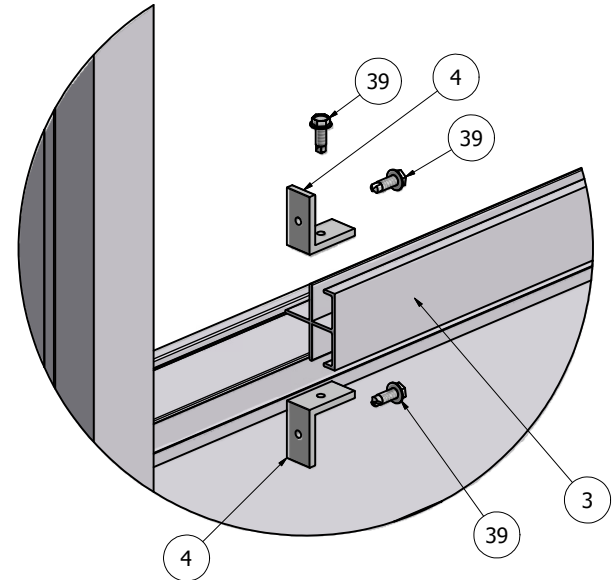
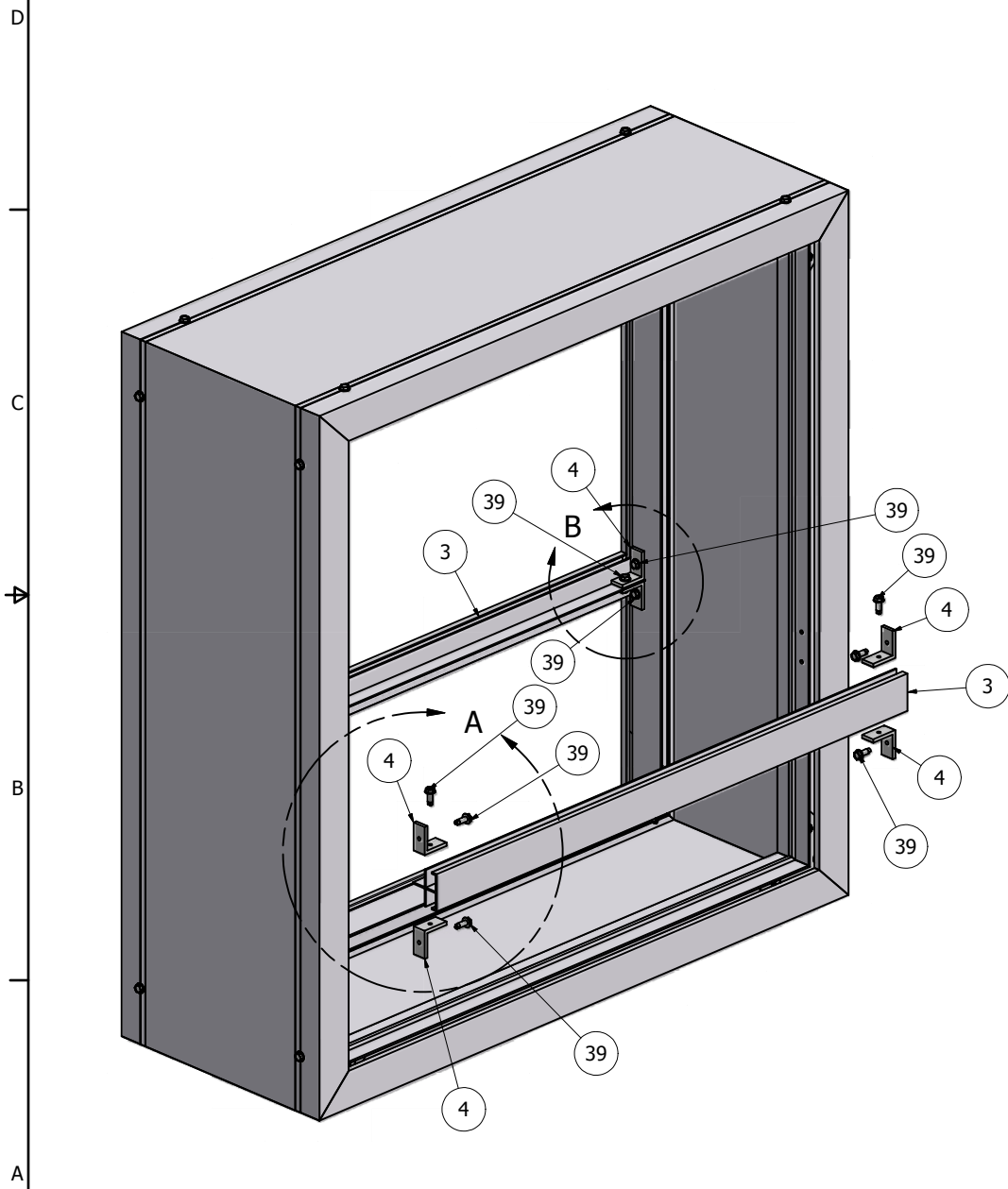
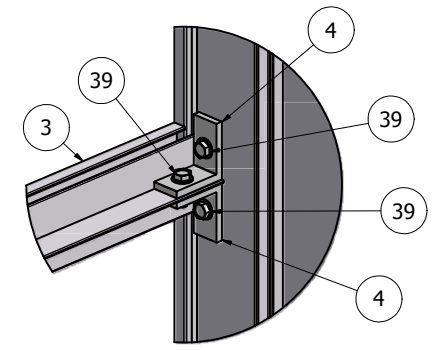


Parts List			
ITEM	PART #	DESCRIPTION	NOTES
3	2140	Econo Divider	
4	5325	Econo Divider Angle	
39	5217	Econo Divider Screw	Drill 1/8" Pilot Hole



DETAIL A



DETAIL B

NOTE: PRE-CUT KITS ARE NOT PRE-DRILLED.
 (Holes shown in this drawing are for reference only.
 Drilling of pilot holes are to be done by fabricator.)

THIS DRAWING WAS CREATED AT NO CHARGE TO ASSIST YOU IN VISUALIZING OUR PROPOSAL. THE DRAWING HEREIN IS THE PROPERTY OF SIGNCOMP. PERMISSION TO COPY OR REVISE THIS DRAWING OR TO USE THIS DRAWING FOR PRODUCTION IS STRICTLY PROHIBITED AND CAN ONLY BE COPIED, REVISED OR USED FOR PRODUCTION WITH THE EXPRESSED WRITTEN PERMISSION OF SIGNCOMP.

DRAWN	12/19/2008	SignComp	
CHECKED			
QA		TITLE	
MFG		Econo Divider - Econo Molding - Assembly	
APPROVED		SIZE	DWG NO
		C	K2140/2056
		SCALE	REV
			SHEET 1 OF 1

Ship To:

Order Number: