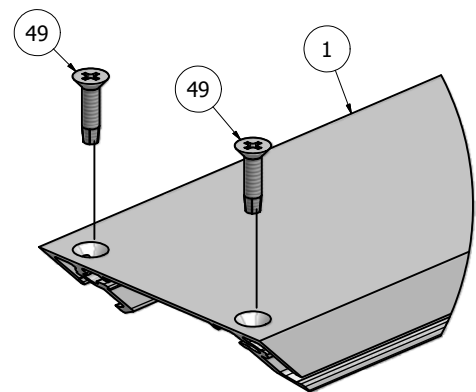
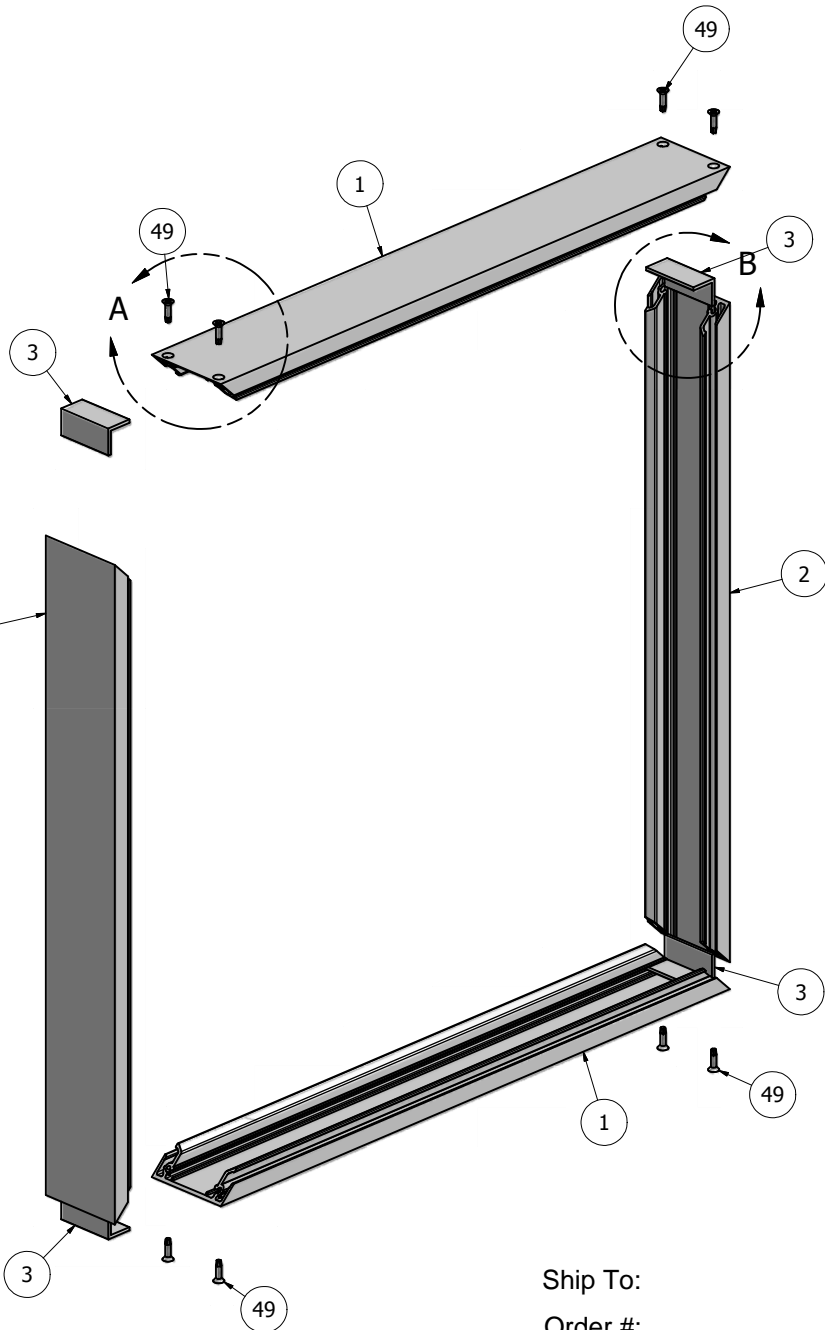
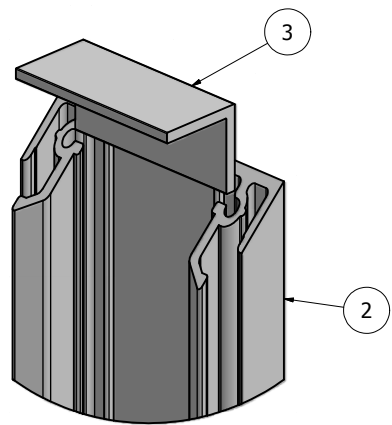


Parts List			
ITEM	PART #	DESCRIPTION	NOTES
1	1260	Series 3 Slide Body	Top & Bottom
2	1260	Series 3 Slide Body	Sides
3	5335	Series 3 Slide Body Corner Angle	
49	5240	Slide Body Corner Screw	#10 Counter Sink



DETAIL A



DETAIL B

NOTE: PRE-CUT KITS ARE NOT PRE-DRILLED.
 (Holes shown in this drawing are for reference only.
 Drilling of pilot holes are to be done by fabricator.)

THIS DRAWING WAS CREATED AT NO CHARGE TO ASSIST YOU IN VISUALIZING OUR PROPOSAL. THE DRAWING HEREIN IS THE PROPERTY OF SIGNCOMP. PERMISSION TO COPY OR REVISE THIS DRAWING OR TO USE THIS DRAWING FOR PRODUCTION IS STRICTLY PROHIBITED AND CAN ONLY BE COPIED, REVISED OR USED FOR PRODUCTION WITH THE EXPRESSED WRITTEN PERMISSION OF SIGNCOMP.

DRAWN	4/1/2010	SignComp	
CHECKED			
QA		TITLE	
MFG		Series 3 Slide Body - Assembly	
APPROVED		SIZE	DWG NO
		C	K1260
		SCALE	REV
			SHEET 1 OF 1

Ship To:
 Order #: