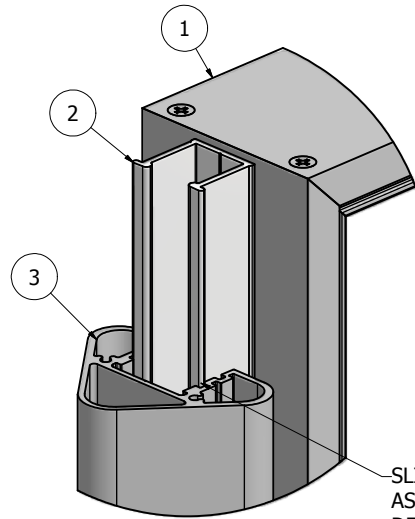
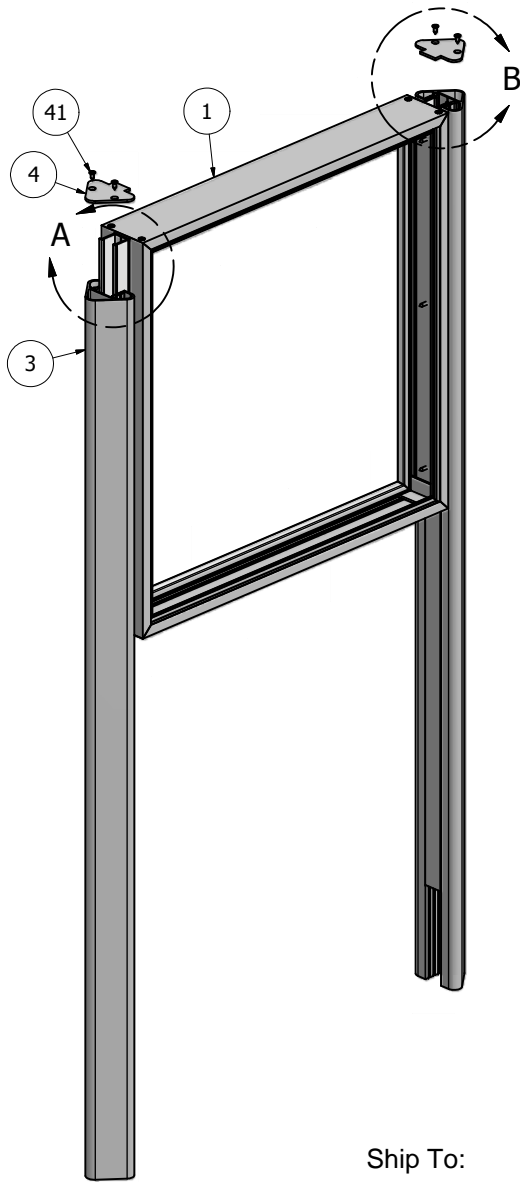
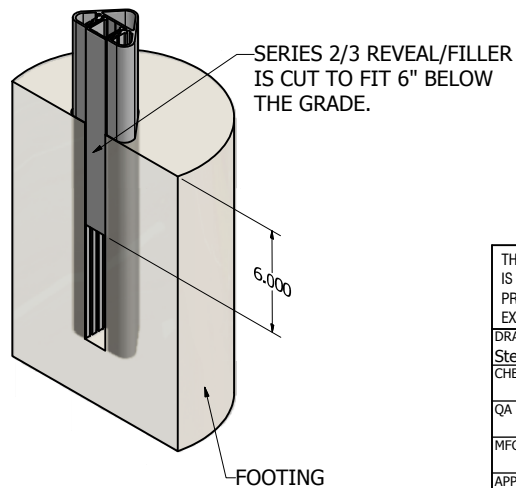


		Parts List	
ITEM	PART #	DESCRIPTION	NOTES
1	1260	Series 3 Slide Body - Assembly	Slide body into post
2	1200	Series 2/3 Reveal	Attached to body
3	1250	Series 3 Triangular Post with Radius Edges - Assembly	
4	Post Cap	Series 3 Triangular Post with Radius Edges Cap	Zero Reveal Part #5400, 3/8" Reveal Part #5401, 3/4" Reveal Part #5402
41	5040	Post Cap Screw	2 - #10 x1/2" counter sunk phillips head screws per post



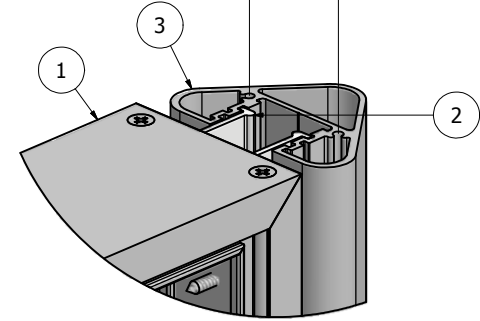
DETAIL A

SLIDE THE BODY/CABINET ASSEMBLY INTO THE DESIRED REVEAL POSITION.

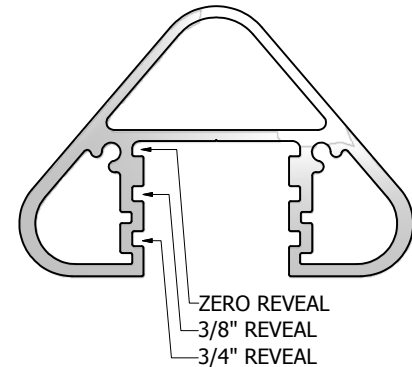


SERIES 2/3 REVEAL/FILLER IS CUT TO FIT 6" BELOW THE GRADE.

FOOTING



DETAIL B



**NOTE: PRE-CUT KITS ARE NOT PRE-DRILLED.**

(Holes shown in this drawing are for reference only. Drilling of pilot holes are to be done by fabricator.)

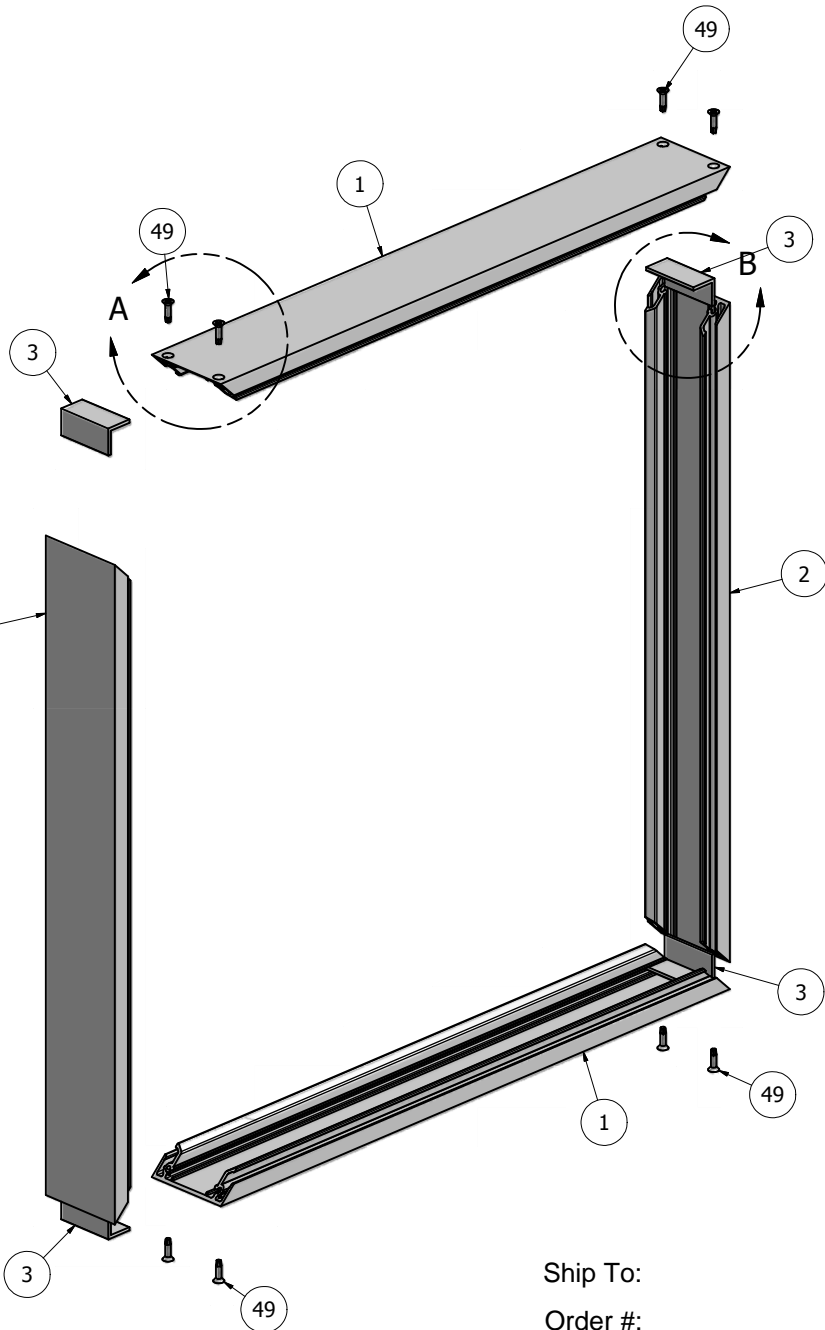
THIS DRAWING WAS CREATED AT NO CHARGE TO ASSIST YOU IN VISUALIZING OUR PROPOSAL. THE DRAWING HEREIN IS THE PROPERTY OF SIGNCOMP. PERMISSION TO COPY OR REVISE THIS DRAWING OR TO USE THIS DRAWING FOR PRODUCTION IS STRICTLY PROHIBITED AND CAN ONLY BE COPIED, REVISED OR USED FOR PRODUCTION WITH THE EXPRESSED WRITTEN PERMISSION OF SIGNCOMP.

DRAWN Steve	5/25/2010	<b>SignComp</b>	
CHECKED			
QA		TITLE Series 3 Slide Body - Series 3 Triangular Post with Radius Edges - Assembly	
MFG		SIZE C	DWG NO K1260-50-00
APPROVED		SCALE	REV
		SHEET 1 OF 1	

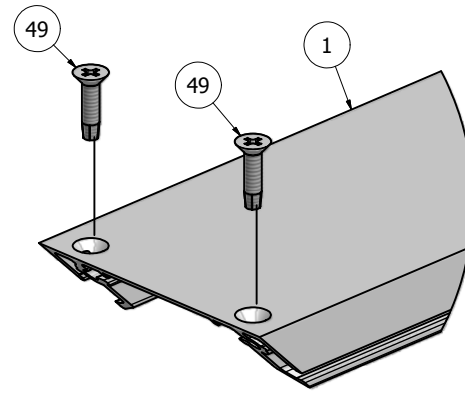
Ship To:

Order #:

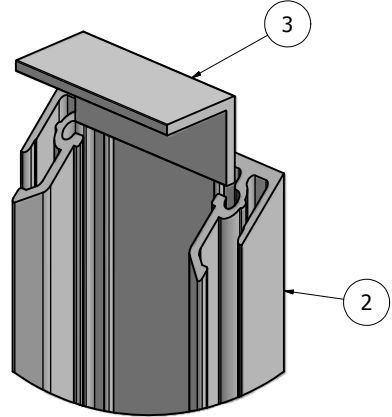
Parts List			
ITEM	PART #	DESCRIPTION	NOTES
1	1260	Series 3 Slide Body	Top & Bottom
2	1260	Series 3 Slide Body	Sides
3	5335	Series 3 Slide Body Corner Angle	
49	5240	Slide Body Corner Screw	#10 Counter Sink



Ship To:  
Order #:



DETAIL A



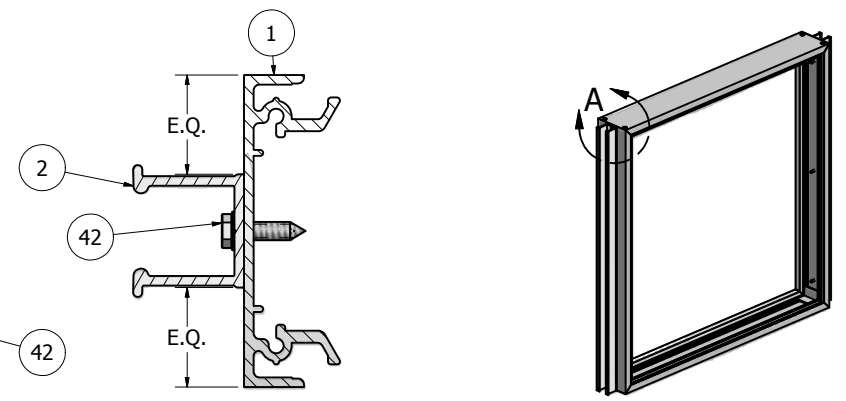
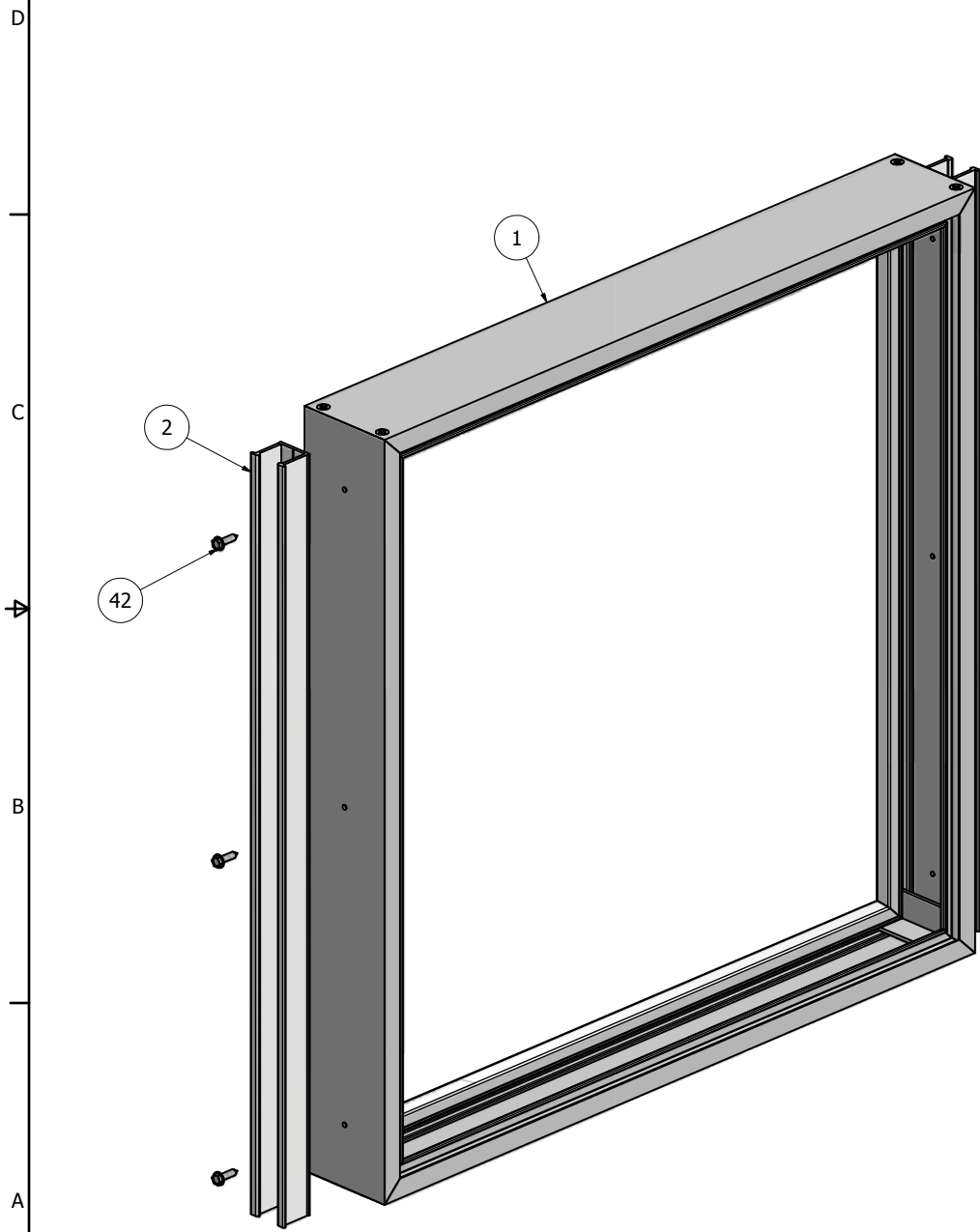
DETAIL B

**NOTE: PRE-CUT KITS ARE NOT PRE-DRILLED.**  
(Holes shown in this drawing are for reference only.  
Drilling of pilot holes are to be done by fabricator.)

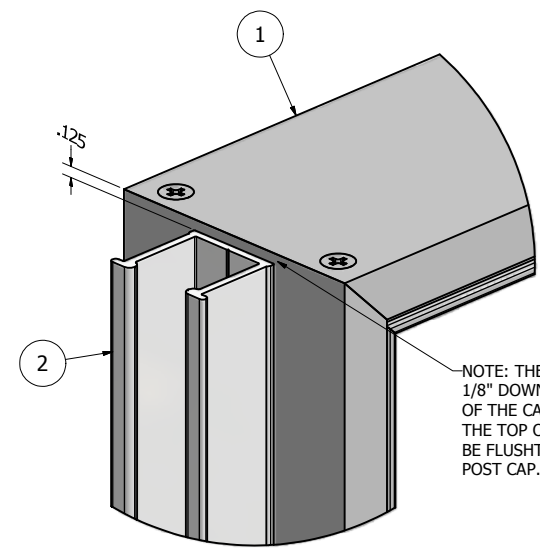
THIS DRAWING WAS CREATED AT NO CHARGE TO ASSIST YOU IN VISUALIZING OUR PROPOSAL. THE DRAWING HEREIN IS THE PROPERTY OF SIGNCOMP. PERMISSION TO COPY OR REVISE THIS DRAWING OR TO USE THIS DRAWING FOR PRODUCTION IS STRICTLY PROHIBITED AND CAN ONLY BE COPIED, REVISED OR USED FOR PRODUCTION WITH THE EXPRESSED WRITTEN PERMISSION OF SIGNCOMP.

DRAWN	4/1/2010	<b>SignComp</b>	
CHECKED			
QA		TITLE	
MFG		Series 3 Slide Body - Assembly	
APPROVED		SIZE	DWG NO
		C	K1260
		SCALE	SHEET 1 OF 1

Parts List			
ITEM	PART #	DESCRIPTION	NOTES
1	1260	Series 3 Slide Body	Assembly
2	1200	Series 2/3 Reveal	Attach to Slide Body
42	5220	Reval to Body Screw	Drill 5/32" pilot hole 12" OC



SECTION B-B



NOTE: THE REVEAL IS PLACED 1/8" DOWN FROM THE TOP OF THE CABINET THE ALLOWS THE TOP OF THE CABINET TO BE FLUSH WITH THE TOP OF THE POST CAP.

DETAIL A

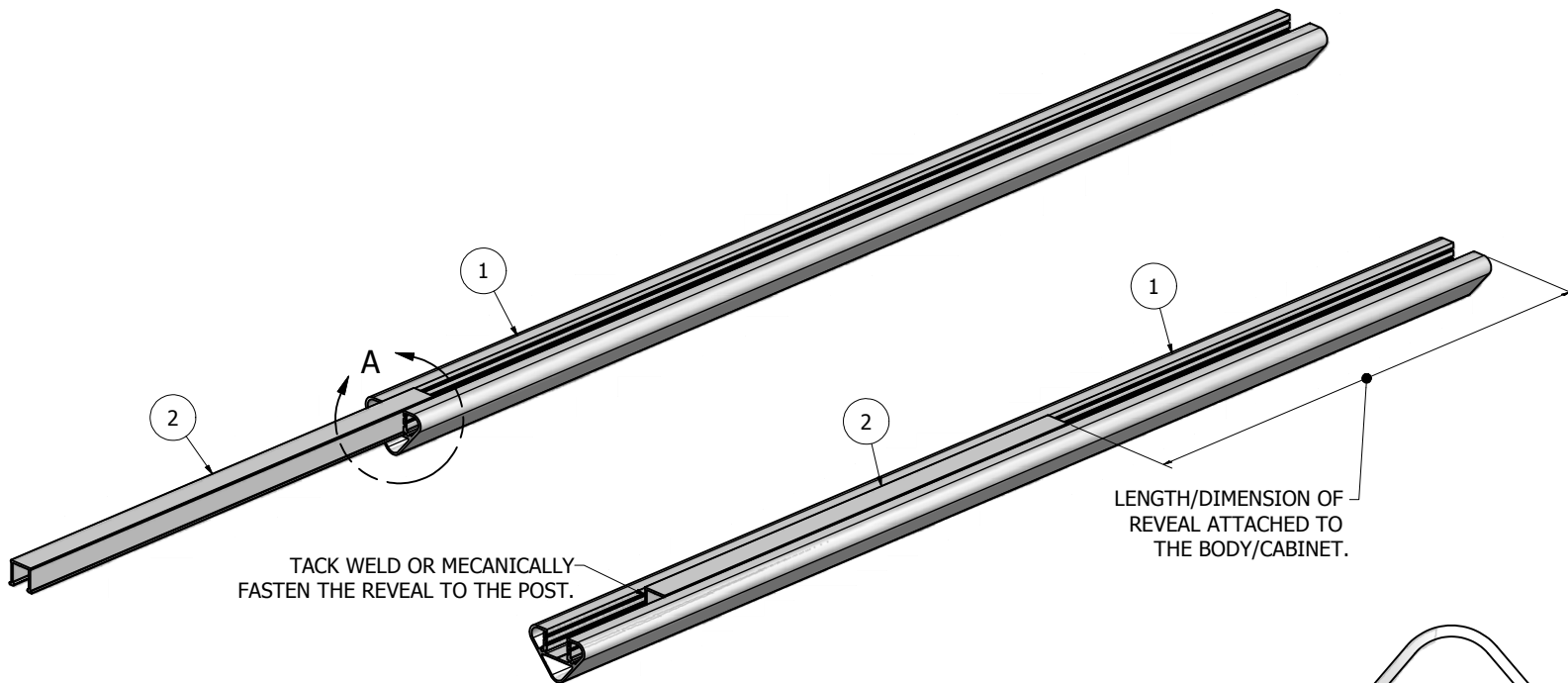
**NOTE: PRE-CUT KITS ARE NOT PRE-DRILLED.**  
 (Holes shown in this drawing are for reference only.  
 Drilling of pilot holes are to be done by fabricator.)

THIS DRAWING WAS CREATED AT NO CHARGE TO ASSIST YOU IN VISUALIZING OUR PROPOSAL. THE DRAWING HEREIN IS THE PROPERTY OF SIGNCOMP. PERMISSION TO COPY OR REVISE THIS DRAWING OR TO USE THIS DRAWING FOR PRODUCTION IS STRICTLY PROHIBITED AND CAN ONLY BE COPIED, REVISED OR USED FOR PRODUCTION WITH THE EXPRESSED WRITTEN PERMISSION OF SIGNCOMP.

DRAWN	4/1/2010	<b>SignComp</b>	
CHECKED			
QA		TITLE	
MFG		Series 3 Slide Body - Series 2/3 Reveal - Assembly	
APPROVED		SIZE	DWG NO
		C	K1260-00
		SCALE	REV
			SHEET 1 OF 1

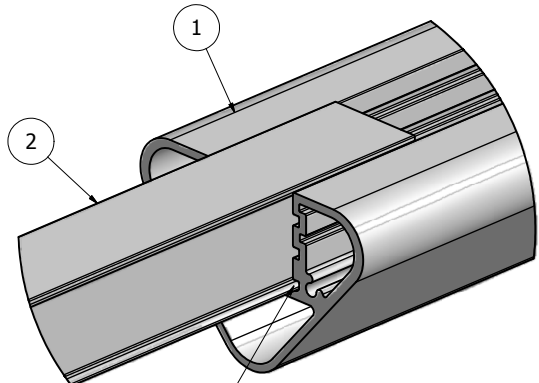
Ship To:  
 Order #:

Parts List			
ITEM	PART #	DESCRIPTION	NOTE
1	1250	Series 3, 3-1/4" Triangular Post with Radius Edges	
2	1200	Series 2/3 Reveal	Tack weld or mechanically fasten to post



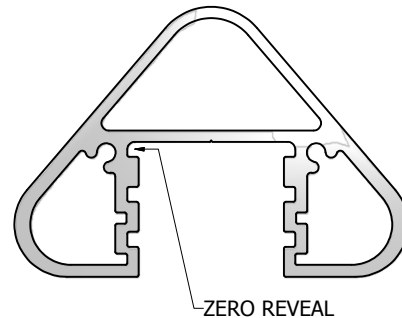
TACK WELD OR MECHANICALLY FASTEN THE REVEAL TO THE POST.

LENGTH/DIMENSION OF REVEAL ATTACHED TO THE BODY/CABINET.



DETAIL A

INSERT THE REVEAL/FILLER INTO THE ZERO REVEAL POSTION. SLIDED IT UP INTO THE POST.



**NOTE: PRE-CUT KITS ARE NOT PRE-DRILLED.**  
 (Holes shown in this drawing are for reference only.  
 Drilling of pilot holes are to be done by fabricator.)

THIS DRAWING WAS CREATED AT NO CHARGE TO ASSIST YOU IN VISUALIZING OUR PROPOSAL. THE DRAWING HEREIN IS THE PROPERTY OF SIGNCOMP. PERMISSION TO COPY OR REVISE THIS DRAWING OR TO USE THIS DRAWING FOR PRODUCTION IS STRICTLY PROHIBITED AND CAN ONLY BE COPIED, REVISED OR USED FOR PRODUCTION WITH THE EXPRESSED WRITTEN PERMISSION OF SIGNCOMP.

DRAWN	4/20/2010	<b>SignComp</b>	
CHECKED			
QA		TITLE	
MFG		Series 3, 3-1/4" Triangular Post with Radius Edges - Series 2/3 Reveal - Assembly	
APPROVED		SIZE	DWG NO
		C	K1250-00
		SCALE	SHEET 1 OF 1

Ship To:  
 Order #: