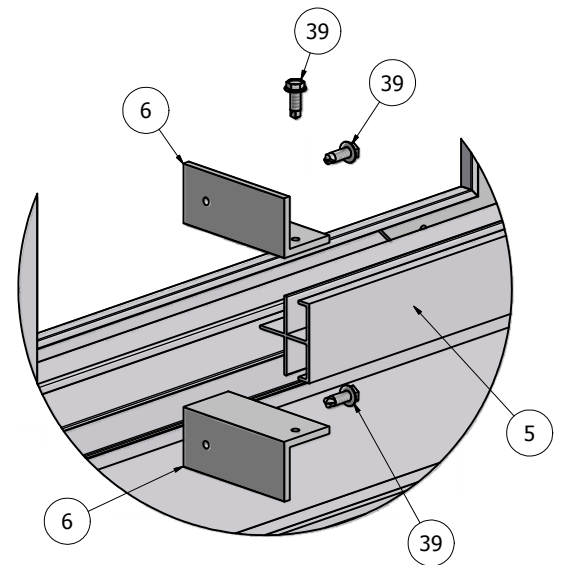
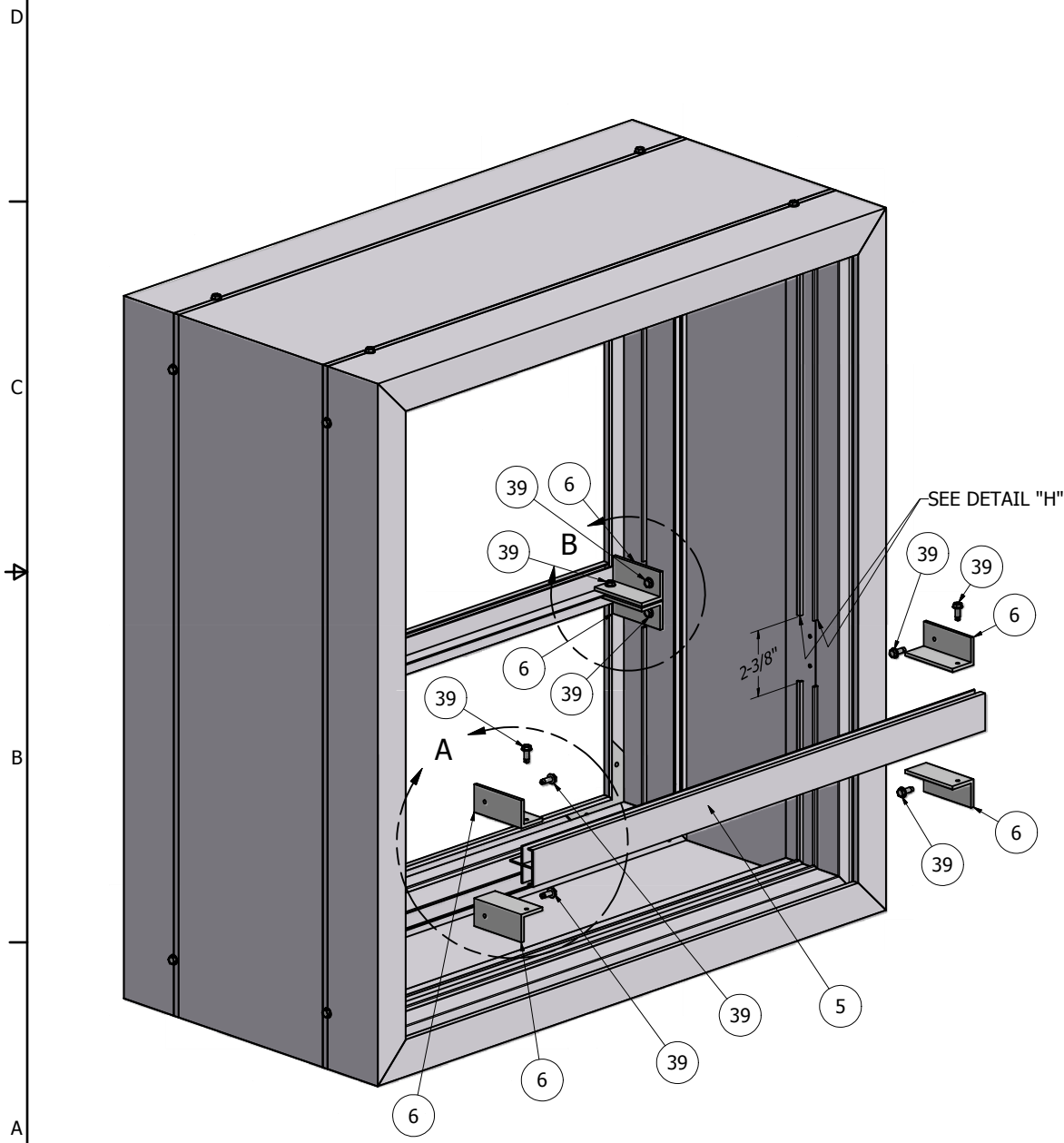
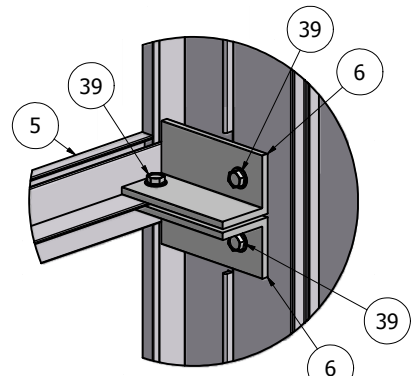


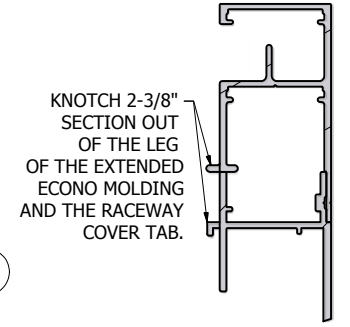
Parts List			
ITEM	PART #	DESCRIPTION	NOTES
5	2140	Econo Divider	
6	5335	Extended Econo Divider Angle	
39	5217	Econo Divider Screw	Drill 1/8" Pilot Hole



DETAIL A



DETAIL B



DETAIL H

KNOTCH 2-3/8"
SECTION OUT
OF THE LEG
OF THE EXTENDED
ECONO MOLDING
AND THE RACEWAY
COVER TAB.

NOTE: PRE-CUT KITS ARE NOT PRE-DRILLED.
(Holes shown in this drawing are for reference only.
Drilling of pilot holes are to be done by fabricator.)

THIS DRAWING WAS CREATED AT NO CHARGE TO ASSIST YOU IN VISUALIZING OUR PROPOSAL. THE DRAWING HEREIN IS THE PROPERTY OF SIGNCOMP. PERMISSION TO COPY OR REVISE THIS DRAWING OR TO USE THIS DRAWING FOR PRODUCTION IS STRICTLY PROHIBITED AND CAN ONLY BE COPIED, REVISED OR USED FOR PRODUCTION WITH THE EXPRESSED WRITTEN PERMISSION OF SIGNCOMP.

DRAWN	Steve	12/19/2008
CHECKED		
QA		
MFG		
APPROVED		
SCALE	C	

SignComp		
TITLE Econo Divider - Extended Econo Molding - Assembly		
SIZE	DWG NO	REV
C	K2140/2058	
SCALE	SHEET 1 OF 1	

Ship To:

Order Number: