

Features & Benefits

The Wall Mount Tension Frame will tension any size banner and only projects 1" from the attached support structure. The Tension Clips are easy to use and are re-useable. Eliminates hemming, grommets and double faced tape. It is available in Mill Finish.

Answers to FAQ's

- Accepts up to 22oz banner material.
- Tension Clip placement - Tension Clips are placed approximately 2-1/4" from the edge of the trimmed to size face material.
- Tension Clip spacing - Every 5" on center.
- Face material trim size - Add 2-1/4" of fabric to all four sides (adding a total of 4-1/2" to both the height and width) to establish the trimmed edge of the fabric.
- Visible opening- Deduct 3" from the overall height and width of the frame.
- The Reverse Wall Mount Tension Tool (5138) is designed to tension this frame.

Optional Items

- Wall Mount Tension Frame Square Cover - Part #2088
- Wall Mount Tension Frame Beveled Cover - Part #2091
- Wall Mount Tension Tool Part #5137
- Reverse Wall Mount Tension Tool Part #5138



Without Frame

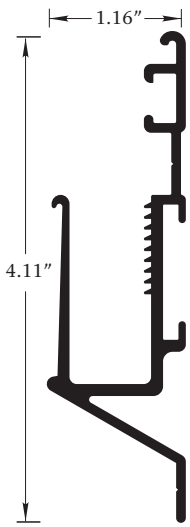


With Frame

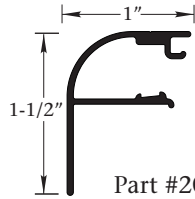


Wall Mount Tension Frame and Covers

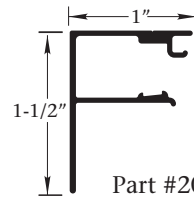
Part Number	Part	Length	Finish
2090	Wall Mount Tension Frame	24'-6"	Mill Finish
2088	Wall Mount Tension Frame Square Cover	24'-6"	Mill Finish
2089	Wall Mount Tension Frame Radius Cover	24'-6"	Mill Finish
2091	Wall Mount Tension Frame Beveled Cover	24'-6"	Mill Finish



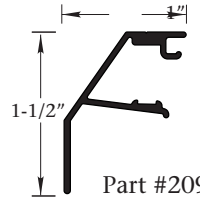
Part #2090



Part #2089



Part #2088



Part #2091

Features & Benefits

Low profile system that will tension any size flexible face or banner material.

Fully secured covers with recommended fasteners.

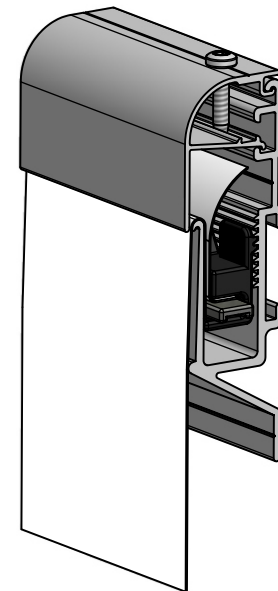
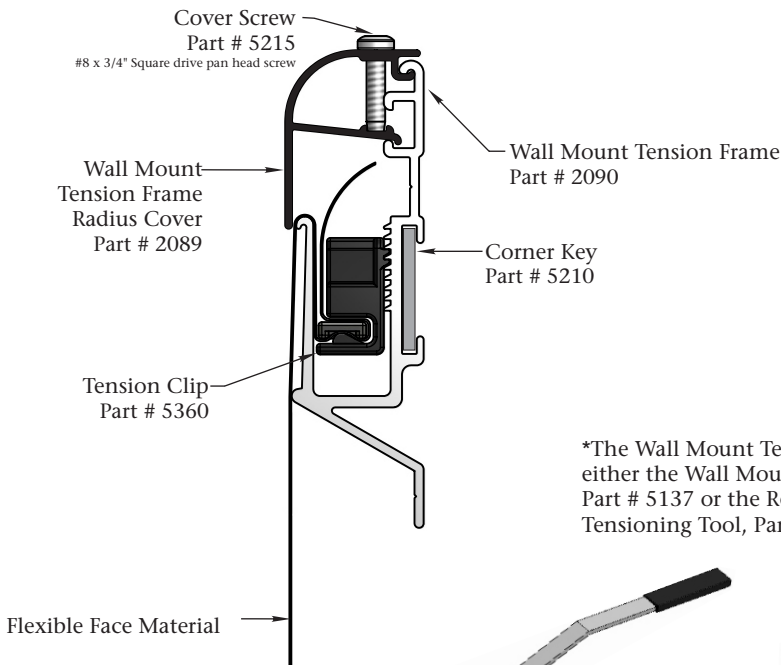
(NOTE: Attach as recommended).

All covers completely conceal the Wall Mount Tension Frame edges.

Allows for conformity when mounting to walls with irregularities.

Eliminates hemming, grommets, and double-faced tape.

Affordable, easy to use, and re-usable.



*The Wall Mount Tension Frame requires either the Wall Mount Tensioning Tool, Part # 5137 or the Reverse Wall Mount Tensioning Tool, Part # 5138.

