

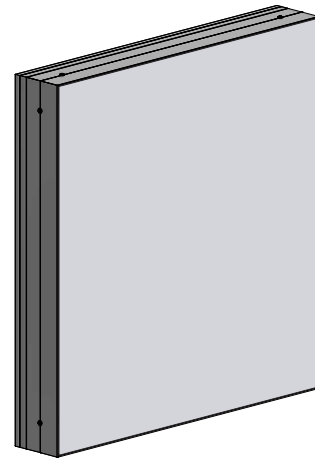
## Features & Benefits

The Flat Bleed Retro Frame II is specifically designed to help reduce shadows by allowing streamline illumination. This system is the best solution for white transparent, light colored backgrounds, or LED applications. Available in Mill Finish.



## Answers to FAQ's

- Accepts up to 22 oz banner material
- Tension Clip placement - Tension Clips are placed approximately 1-1/2" from the edge of the trimmed to size face material
- Tension Clip spacing - Every 5" on center
- Face material trim size - Add 3-1/2" of fabric to all four sides. (Adding a total of 7" to both the height and width)
- The correct Tension Tool to use with the frame is Part #5135
- Frame Support Tube and Frame Braces may be required if the frame is going to be transported or hinged



## Optional Items

- Frame Support Tube, Part #2175
- Frame Brace, Part #5350 or 2 Piece Frame Brace, Part #5357
- Tension Tool, Part #5135

