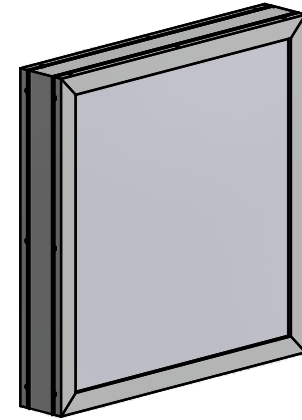


PARTS LIST			
ITEM	PART #	DESCRIPTION	NOTES
1	K1390	Series 4 Access Body	Assembly
2	1694	Slide Cover	All Sides
3	5210	Corner Key	One (1) per cover corner
63	5168	Slide Cover Screw	Drill #8 countersink

**NOTE: PRE-CUT KITS ARE NOT PRE-DRILLED.**

(Holes shown in this drawing are for reference only. Drilling of pilot holes are to be done by fabricator.)

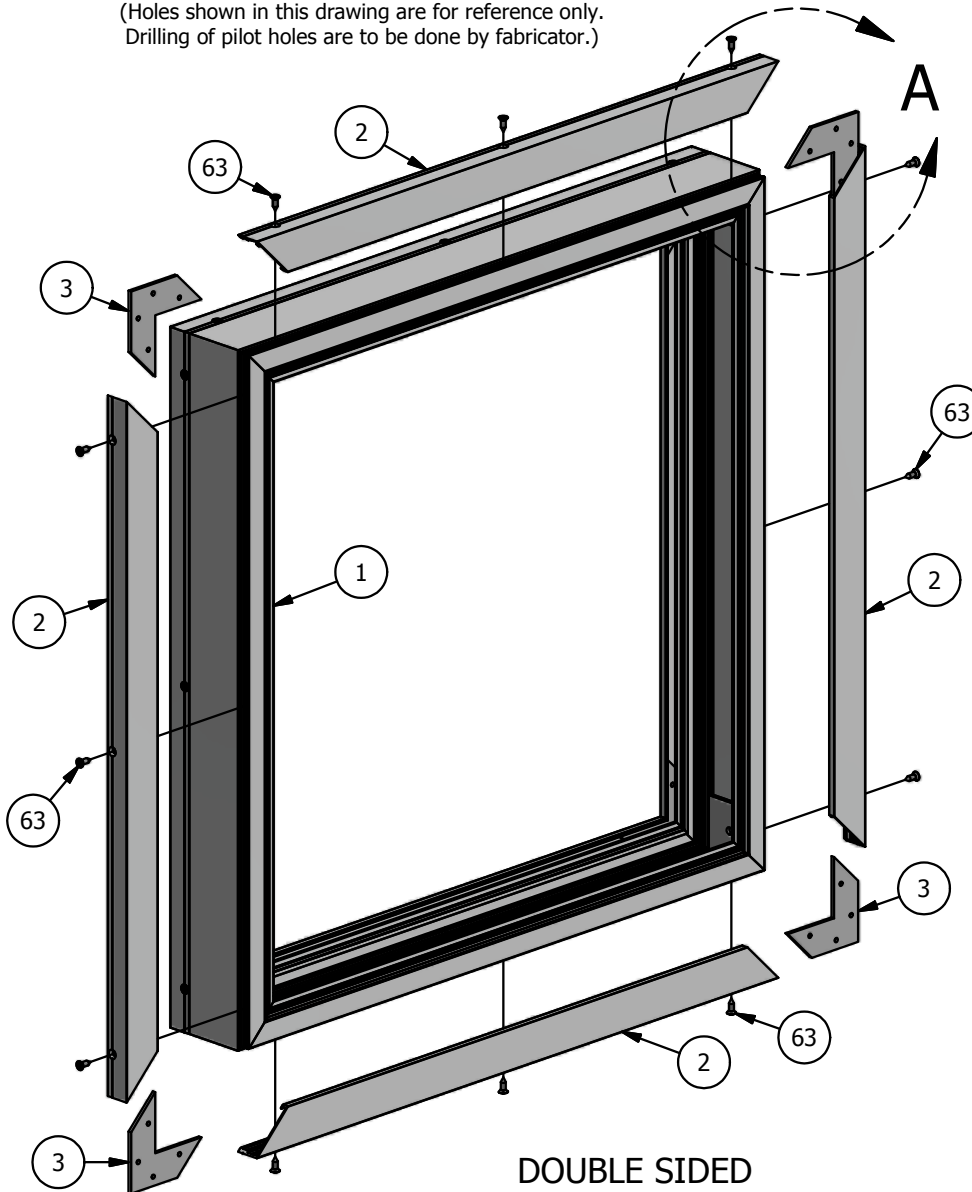
Ship To:  
Sales Order #



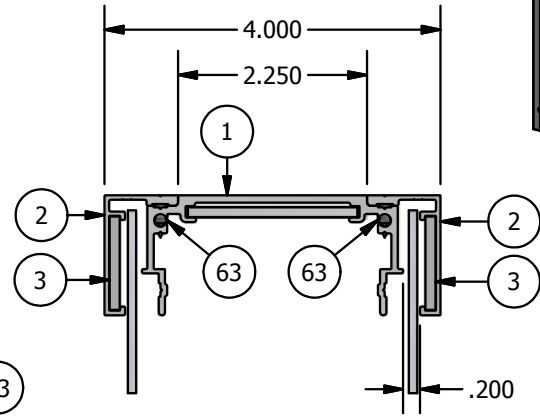
B

A

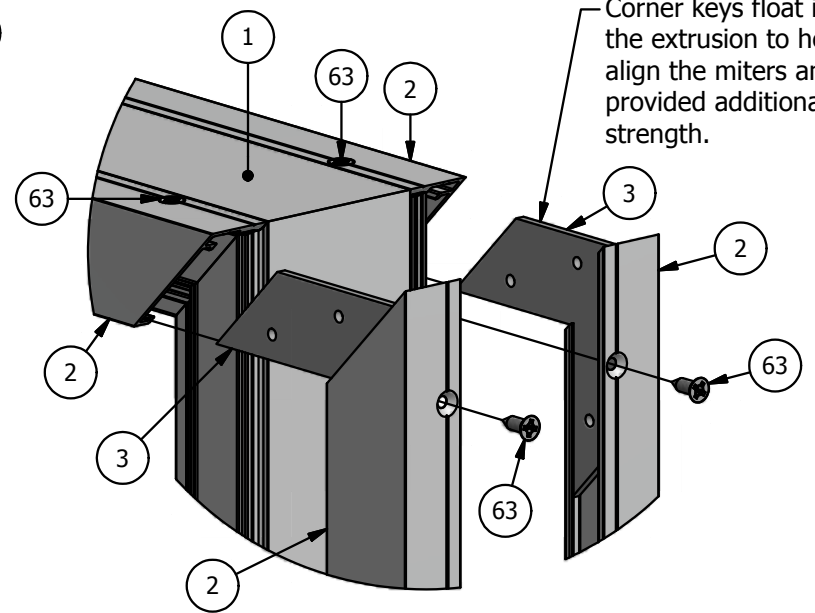
A



DOUBLE SIDED



CROSS-SECTION VIEW



DETAIL A

2

A

1

THIS DRAWING WAS CREATED AT NO CHARGE TO ASSIST YOU IN VISUALIZING OUR PROPOSAL. THE DRAWING HEREIN IS THE PROPERTY OF SIGNCOMP. PERMISSION TO COPY OR REVISE THIS DRAWING OR TO USE THIS DRAWING FOR PRODUCTION IS STRICTLY PROHIBITED AND CAN ONLY BE COPIED, REVISED OR USED FOR PRODUCTION WITH THE EXPRESSED WRITTEN PERMISSION OF SIGNCOMP.

Project Name: Series 4 - Access Body w/ Slide Cover - Assembly

Sign Company: K1390/94

Part #:

Revision:

Date: 3/30/2017

Drawing By: SBreihof

Sheet: 1 of 1

Size:

**SignComp**

B

A