

PARTS LIST			
ITEM	PART #	DESCRIPTION	NOTES
1	K1390	Series 4 Access Body	Assembly
2	1692	Bleed Cover	All Sides
3	5210	Corner Key	One (1) per cover corner
64	5168	Bleed Cover Screw	Drill #8 countersink

Ship To:

Sales Order #

Alum. face
provided by other

CROSS-SECTION

Corner Keys float in the
extrusion to help align
the miters and provide
additional strength.

Surface that
aluminum face
bonds to.

B

A

A

B

A

THIS DRAWING WAS CREATED AT NO CHARGE TO ASSIST YOU IN VISUALIZING OUR PROPOSAL. THE DRAWING HEREIN IS THE PROPERTY OF SIGNCOMP. PERMISSION TO COPY OR REVISE THIS DRAWING OR TO USE THIS DRAWING FOR PRODUCTION IS STRICTLY PROHIBITED AND CAN ONLY BE COPIED, REVISED OR USED FOR PRODUCTION WITH THE EXPRESSED WRITTEN PERMISSION OF SIGNCOMP.

Project Name: Series 4 Access Body w/ Bleed Cover - Assembly

Sign Company: K1290/92

Part #:

Revision:

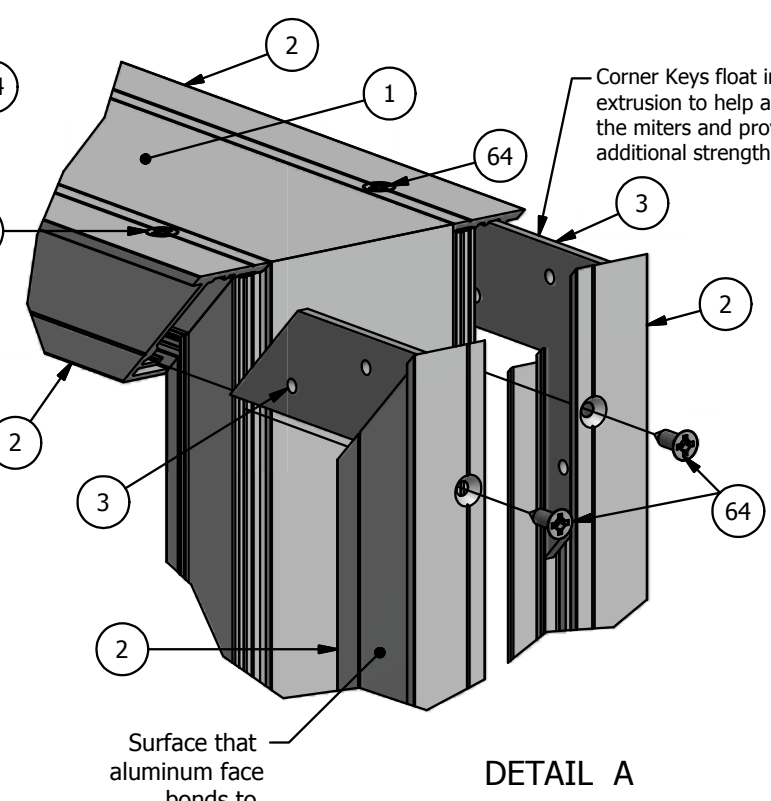
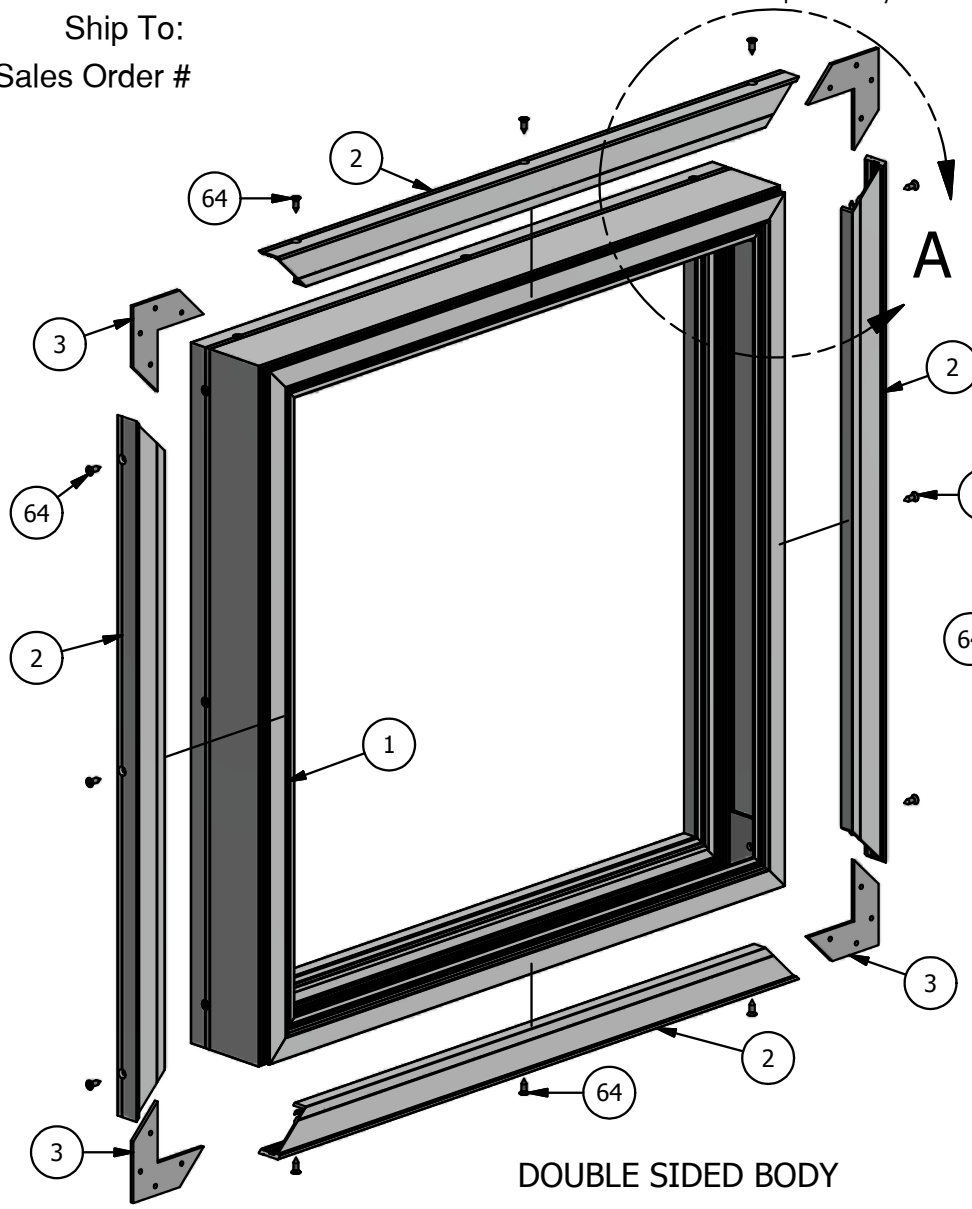
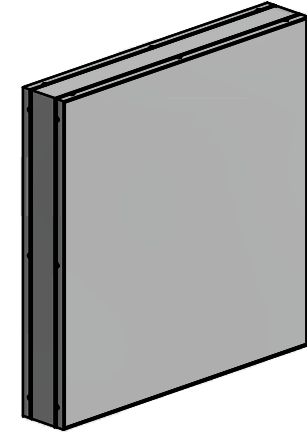
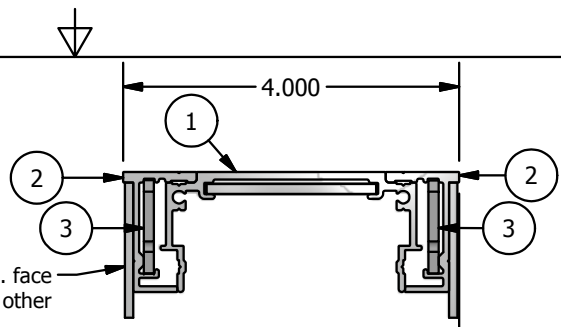
Date: 3/23/2017

Drawing By: SBreihof

Sheet: 1 of 1

Size:

SignComp



2

1

DOUBLE SIDED BODY

DETAIL A