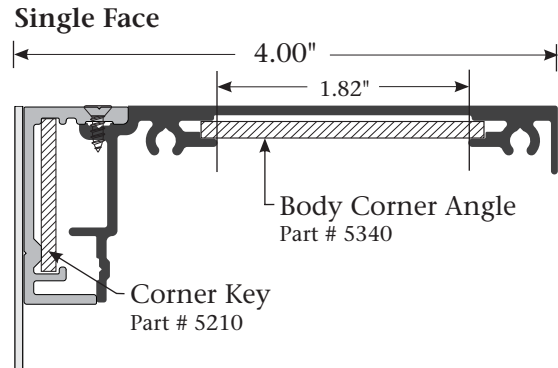
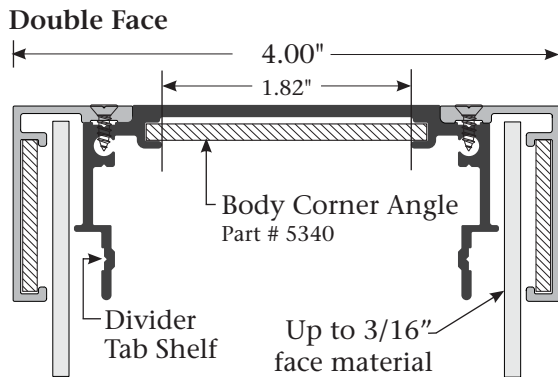




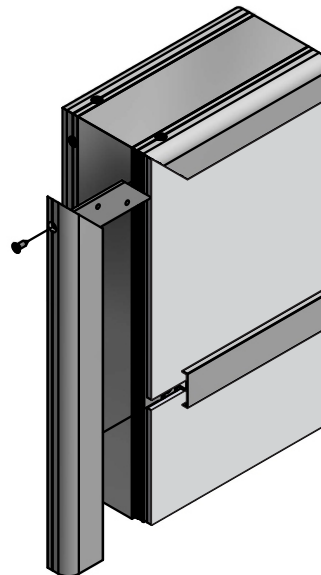
# NEW PRODUCT UPDATE: Series 4 Access Bodies

Part Number	Part	Length	Finish
1390	Series 4 Access Body	24'-4"	Mill Finish
1391	Series 4 Single Face Access Body	24'-4"	Mill Finish



## Features & Benefits

- Engineered for mechanical fastening, bonding with adhesive, or welded assembly
- Five Cover Options
- Can be used with all Architectural Posts
- Both bodies accept the Series 4 Access Body Corner Angle, Part #5340
- Integrates with 1-1/4" Divider, Part #1662 or Insert Divider, Part #1668



### Optional Dividers



1-1/4" Divider



Insert Panel Divider

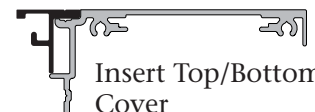
### Cover Options:



Bleed Cover  
Part #1692



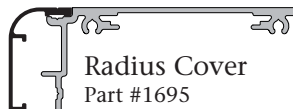
Slide Cover  
Part #1694



Insert Top/Bottom  
Cover  
Part #1292



Frameless Cover  
Part #1693



Radius Cover  
Part #1695