

2



1

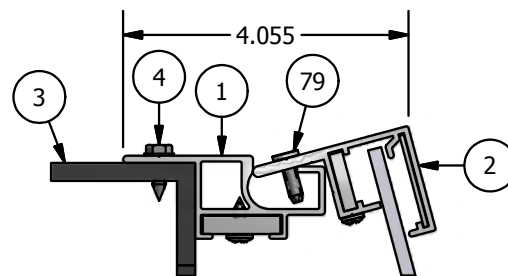
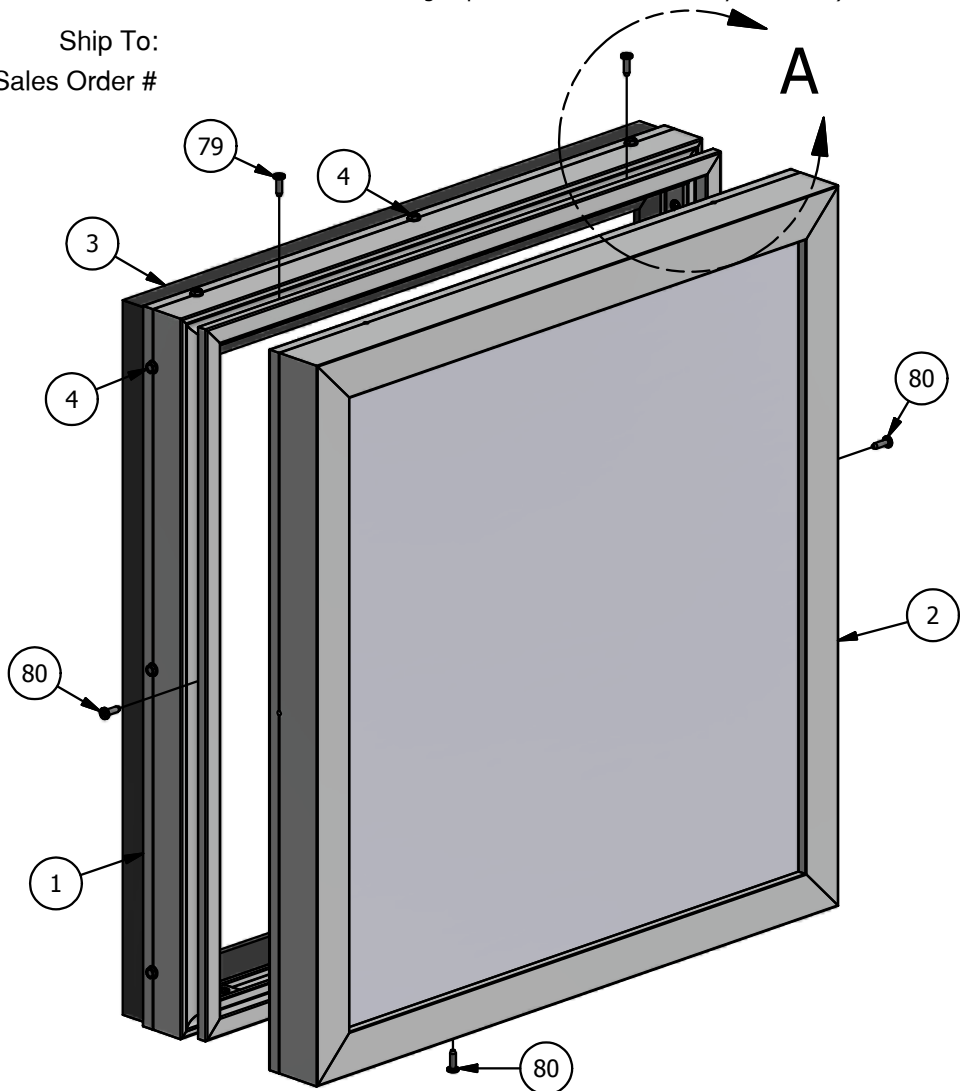
PARTS LIST

ITEM	PART #	DESCRIPTION	NOTES
1	2041	Flat Retro Body	Assembly
2	2052	Flat 1-1/2" Retainer	Assembly
3	By Other	Angle or Tubing	Required if not attaching to existing structure
4	By Other	Attachment Fastener	Not Provided by SignComp
79	5178	Hinge Screw - #10 x 5/8" pancake head	Pre-drill 5/32" pilot hole every 36" - Top only
80	5178	Closure Screw - #10 x 5/8" pancake head	Pre-drill 5/32" pilot hole every 48" - Sides & Bottom

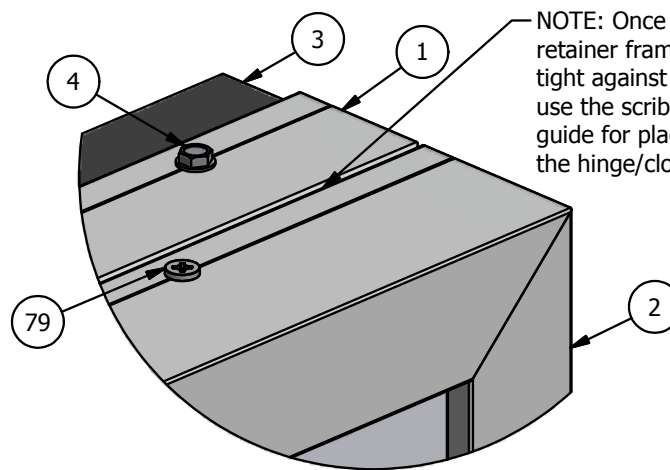
NOTE: PRE-CUT KITS ARE NOT PRE-DRILLED.

(Holes shown in this drawing are for reference only.
Drilling of pilot holes are to be done by fabricator.)

Ship To:
Sales Order #

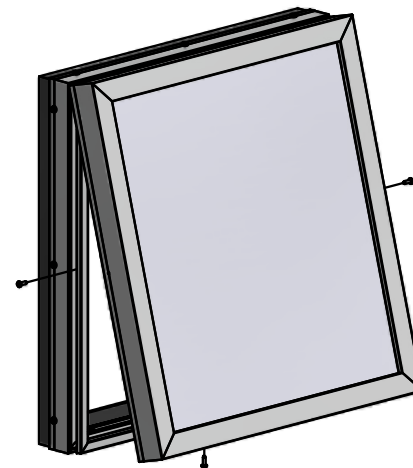


TOP CROSS-SECTION VIEW



DETAIL A

NOTE: Once the assembled retainer frame is placed tight against the body, use the scribe line as a guide for placement of the hinge/closure screws.



THIS DRAWING WAS CREATED AT NO CHARGE TO ASSIST YOU IN VISUALIZING OUR PROPOSAL. THE DRAWING HEREIN IS THE PROPERTY OF SIGNCOMP. PERMISSION TO COPY OR REVISE THIS DRAWING OR TO USE THIS DRAWING FOR PRODUCTION IS STRICTLY PROHIBITED AND CAN ONLY BE COPIED, REVISED OR USED FOR PRODUCTION WITH THE EXPRESSED WRITTEN PERMISSION OF SIGNCOMP.

Part Name: Flat Retro Body & Flat 1-1/2" Retainer - Assembly

Part Number: K2041/2052

Date: 7/7/2015

Sheet: 1 of 1
Drawing By: SBreihof

Size:

1 of 1

Sheet: 1 of 1

Date: 7/7/2015

Revision:

K2041/2052

Sheet: 1 of 1

Sheet: 1 of 1

Size:

1 of 1

Sheet: 1 of 1

Date: 7/7/2015

Revision:

K2041/2052

Size:

1 of 1

Sheet: 1 of 1

Date: 7/7/2015

Revision:

K2041/2052

Size:

1 of 1

Sheet: 1 of 1

Date: 7/7/2015

Revision:

K2041/2052

Size:

1 of 1

Sheet: 1 of 1

Date: 7/7/2015

Revision:

K2041/2052

Size:

1 of 1

Sheet: 1 of 1

Date: 7/7/2015

Revision:

K2041/2052

Size:

1 of 1

Sheet: 1 of 1

Date: 7/7/2015

Revision:

K2041/2052

Size:

1 of 1

Sheet: 1 of 1

Date: 7/7/2015

Revision:

K2041/2052

Size:

1 of 1

Sheet: 1 of 1

Date: 7/7/2015

Revision:

K2041/2052

Size:

1 of 1

Sheet: 1 of 1

Date: 7/7/2015

Revision:

K2041/2052

Size:

1 of 1

Sheet: 1 of 1

Date: 7/7/2015

Revision:

K2041/2052

Size:

1 of 1

Sheet: 1 of 1

Date: 7/7/2015

Revision:

K2041/2052

Size:

1 of 1

Sheet: 1 of 1

Date: 7/7/2015

Revision:

K2041/2052

Size:

1 of 1

Sheet: 1 of 1

Date: 7/7/2015

Revision:

K2041/2052

Size:

1 of 1

Sheet: 1 of 1

Date: 7/7/2015

Revision:

K2041/2052

Size:

1 of 1

Sheet: 1 of 1

Date: 7/7/2015

Revision:

K2041/2052

Size:

1 of 1

Sheet: 1 of 1

Date: 7/7/2015

Revision:

K2041/2052

Size:

1 of 1

Sheet: 1 of 1

Date: 7/7/2015

Revision:

K2041/2052

Size:

1 of 1

Sheet: 1 of 1

Date: 7/7/2015

Revision:

K2041/2052

Size:

1 of 1

Sheet: 1 of 1

Date: 7/7/2015

Revision:

K2041/2052

Size:

1 of 1

Sheet: 1 of 1

Date: 7/7/2015

Revision:

K2041/2052

Size:

1 of 1

Sheet: 1 of 1

Date: 7/7/2015

Revision:

K2041/2052

Size:

1 of 1

Sheet: 1 of 1

Date: 7/7/2015

Revision:

K2041/2052

Size:

1 of 1

Sheet: 1 of 1

Date: 7/7/2015

Revision:

K2041/2052

Size:

1 of 1

Sheet: 1 of 1

Date: 7/7/2015

Revision:

K2041/2052

Size:

1 of 1

Sheet: 1 of 1

Date: 7/7/2015

Revision:

K2041/2052

Size:

1 of 1

Sheet: 1 of 1

Date: 7/7/2015

Revision:

K2041/2052

Size:

1 of 1

Sheet: 1 of 1

Date: 7/7/2015

Revision:

K2041/2052

Size:

1 of 1

Sheet: 1 of 1

Date: 7/7/2015

Revision:

K2041/2052

Size:

1 of 1

Sheet: 1 of 1

Date: 7/7/2015

Revision:

K2041/2052

Size:

1 of 1

Sheet: 1 of 1

Date: 7/7/2015

Revision:

K2041/2052

Size:

1 of 1

Sheet: 1 of 1

Date: 7/7/2015

Revision:

K2041/2052

Size:

1 of 1

Sheet: 1 of 1

Date: 7/7/2015

Revision:

K2041/2052

Size:

1 of 1

Sheet: 1 of 1

Date: 7/7/2015

Revision:

K2041/2052

Size:

1 of 1

Sheet: 1 of 1

Date: 7/7/2015

Revision:

K2041/2052

Size:

1 of 1

Sheet: 1 of 1

Date: 7/7/2015

Revision:

K2041/2052

Size:

1 of 1

Sheet: 1 of 1

Date: 7/7/2015

Revision:

K2041/2052

Size:

1 of 1

Sheet: 1 of 1

Date: 7/7/2015

Revision:

K2041/2052

Size:

1 of 1

Sheet: 1 of 1

Date: 7/7/2015

Revision:

K2041/2052

Size:

1 of 1

Sheet: 1 of 1

Date: 7/7/2015

Revision:

K2041/2052

Size:

1 of 1

Sheet: 1 of 1

Date: 7/7/2015

Revision:

K2041/2052

Size:

1 of 1

Sheet: 1 of 1

Date: 7/7/2015

Revision:

K2041/2052

Size:

1 of 1