

2



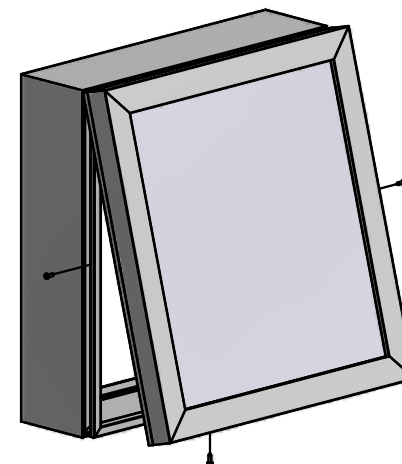
1

PARTS LIST

ITEM	PART #	DESCRIPTION	NOTES
1	2027	Flat Single Face Body	Assembly
2	2047	Flat 2" Retainer	Assembly
79	5178	Hinge Screw - #10 x 5/8" pancake head	Pre-drill 5/32" pilot hole every 36" - Top only
80	5178	Closure Screw - #10 x 5/8" pancake head	Pre-drill 5/32" pilot hole every 48" - Sides & Bottom

NOTE: PRE-CUT KITS ARE NOT PRE-DRILLED.

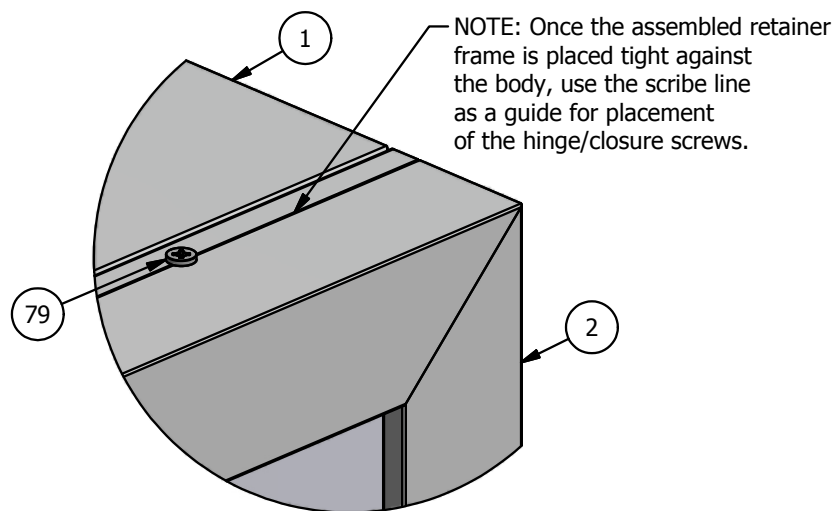
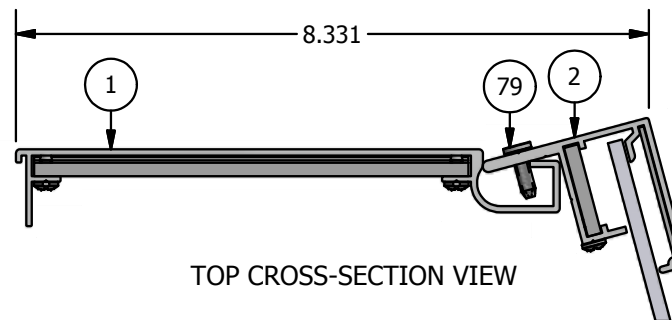
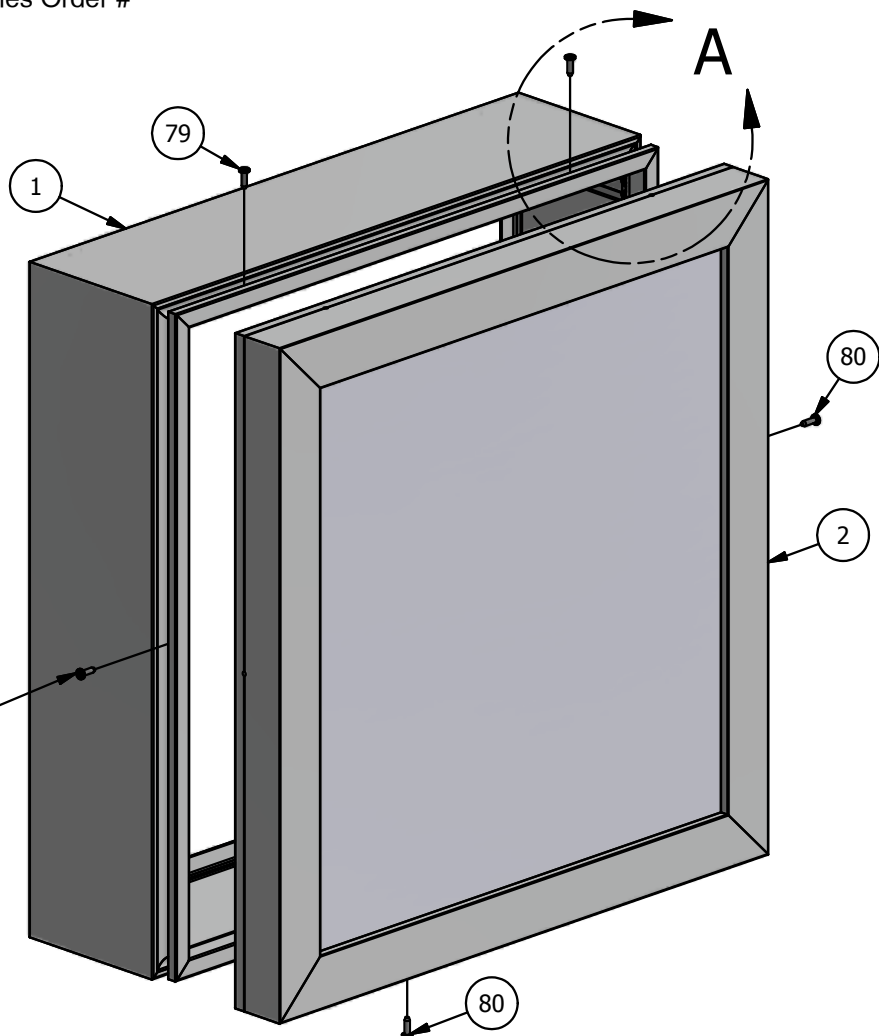
(Holes shown in this drawing are for reference only.
Drilling of pilot holes are to be done by fabricator.)



SignComp

B

Ship To:
Sales Order #



DETAIL A

2



1

B

A

THIS DRAWING WAS CREATED AT NO CHARGE TO ASSIST YOU IN VISUALIZING OUR PROPOSAL. THE DRAWING HEREIN IS THE PROPERTY OF SIGNCOMP. PERMISSION TO COPY OR REVISE THIS DRAWING OR TO USE THIS DRAWING FOR PRODUCTION IS STRICTLY PROHIBITED AND CAN ONLY BE COPIED, REVISED OR USED FOR PRODUCTION WITH THE EXPRESSED WRITTEN PERMISSION OF SIGNCOMP.

Part Name: Flat Single Face Body & Flat 1-1/2" Retainer - Assembly

Part Number: K2027/2047

Revision: 6/10/2015

Sheet: 1 of 1

Size: A

Drawing By: SBreihof