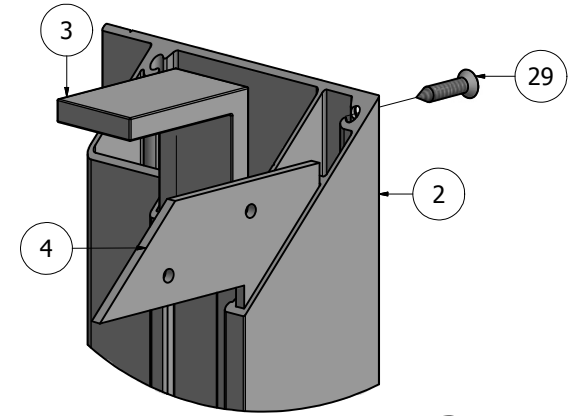
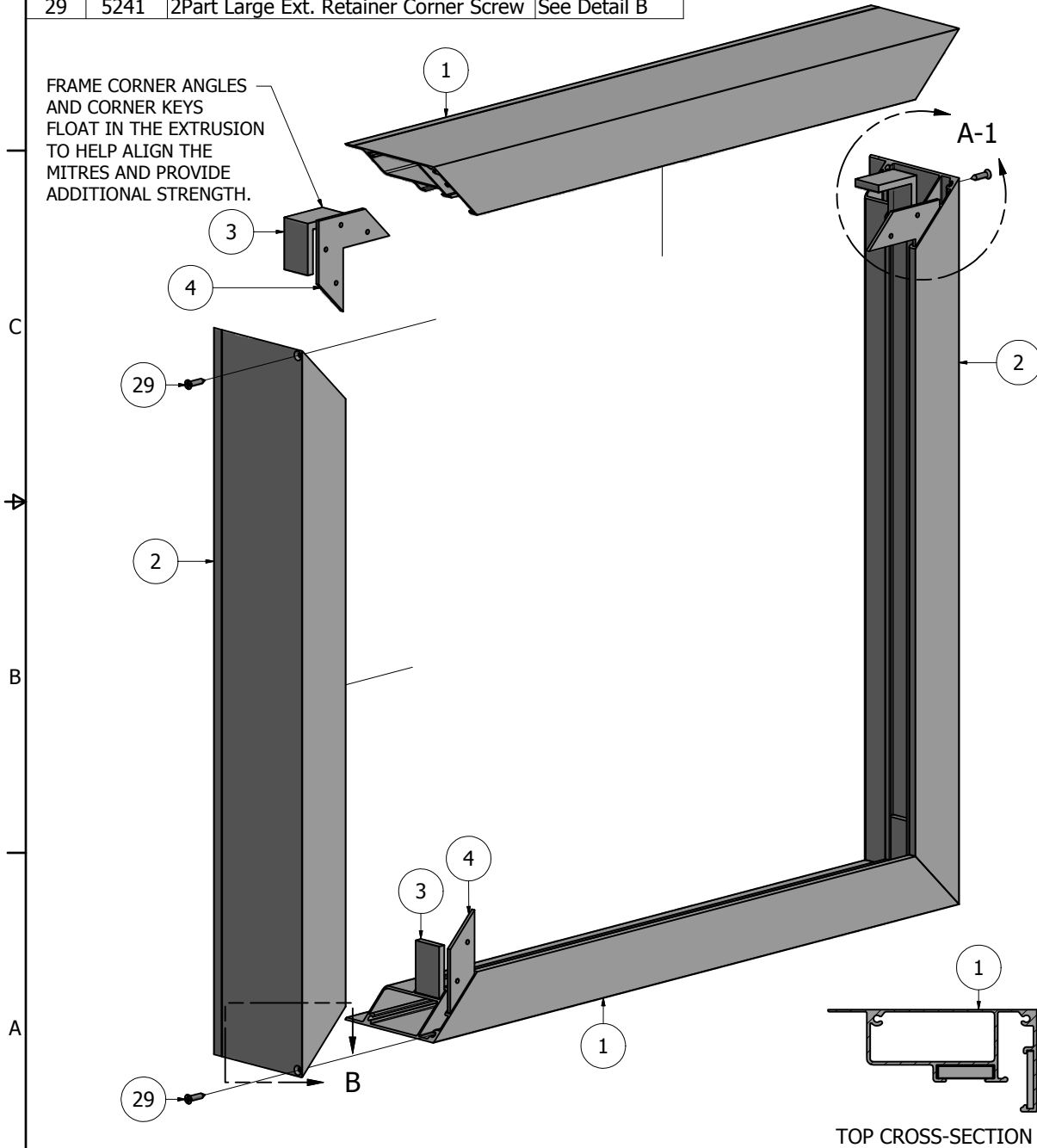


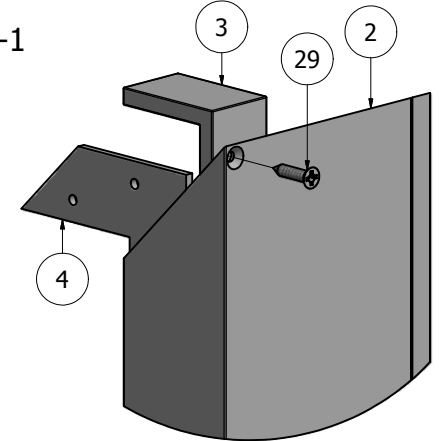
PARTS LIST			
ITEM	PART#	DESCRIPTION	NOTES
1	1939	2Part Large Extended Retainer	Top & Bottom Sides
2	1939	2Part Large Extended Retainer	Sides
3	5305	Frame Corner Angle	
4	5210	Corner Key	
29	5241	2Part Large Ext. Retainer Corner Screw	See Detail B

Ship To:
Sales Order#:

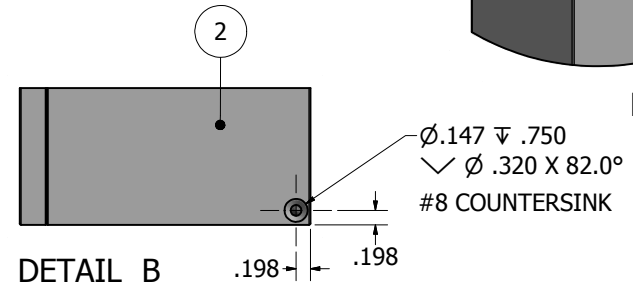
FRAME CORNER ANGLES AND CORNER KEYS FLOAT IN THE EXTRUSION TO HELP ALIGN THE MITRES AND PROVIDE ADDITIONAL STRENGTH.



DETAIL A-1



DETAIL A-2



DETAIL B

NOTE: PRE-CUT KITS ARE NOT PRE-DRILLED.
(Holes shown in this drawing are for reference only. Drilling of pilot holes are to be done by fabricator.)

THIS DRAWING WAS CREATED AT NO CHARGE TO ASSIST YOU IN VISUALIZING OUR PROPOSAL. THE DRAWING HEREIN IS THE PROPERTY OF SIGNCOMP. PERMISSION TO COPY OR REVISE THIS DRAWING OR TO USE THIS DRAWING FOR PRODUCTION IS STRICTLY PROHIBITED AND CAN ONLY BE COPIED, REVISED OR USED FOR PRODUCTION WITH THE EXPRESSED WRITTEN PERMISSION OF SIGNCOMP.		
DRAWN	SBreihof	7/24/2012
Centroid X:	0.000 in	TITLE
Centroid Y:	0.000 in	
Principal Moments Ix:	0.000 in ⁴	2Part Large Extended Retainer
Principal Moments Iy:	0.000 in ⁴	
Section Modulus Ix:	0.000 in ³	DWG NO
Section Modulus Iy:	0.000 in ³	K1939
		REV