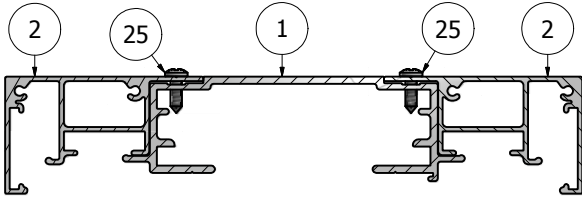
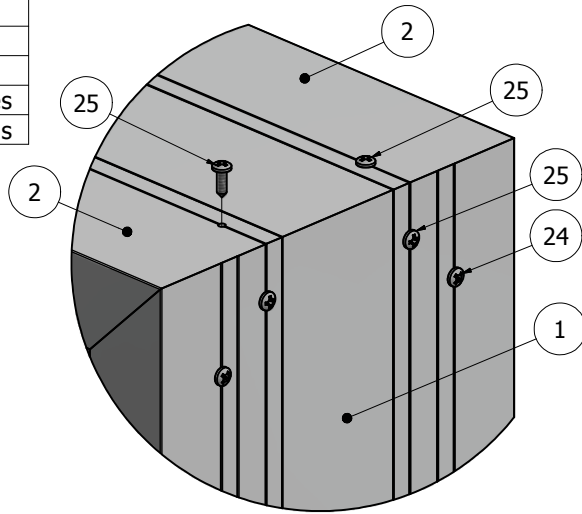


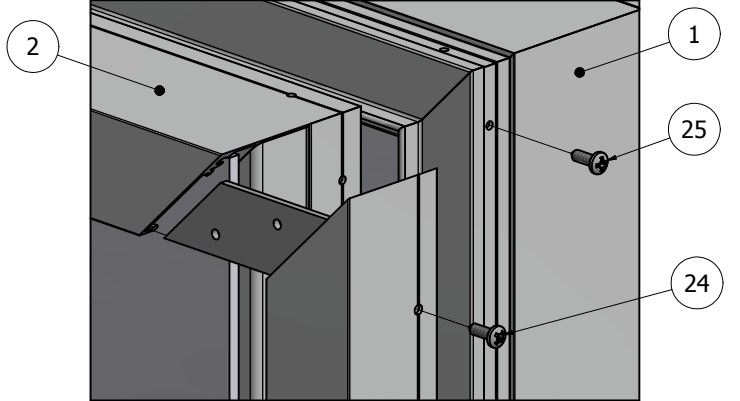
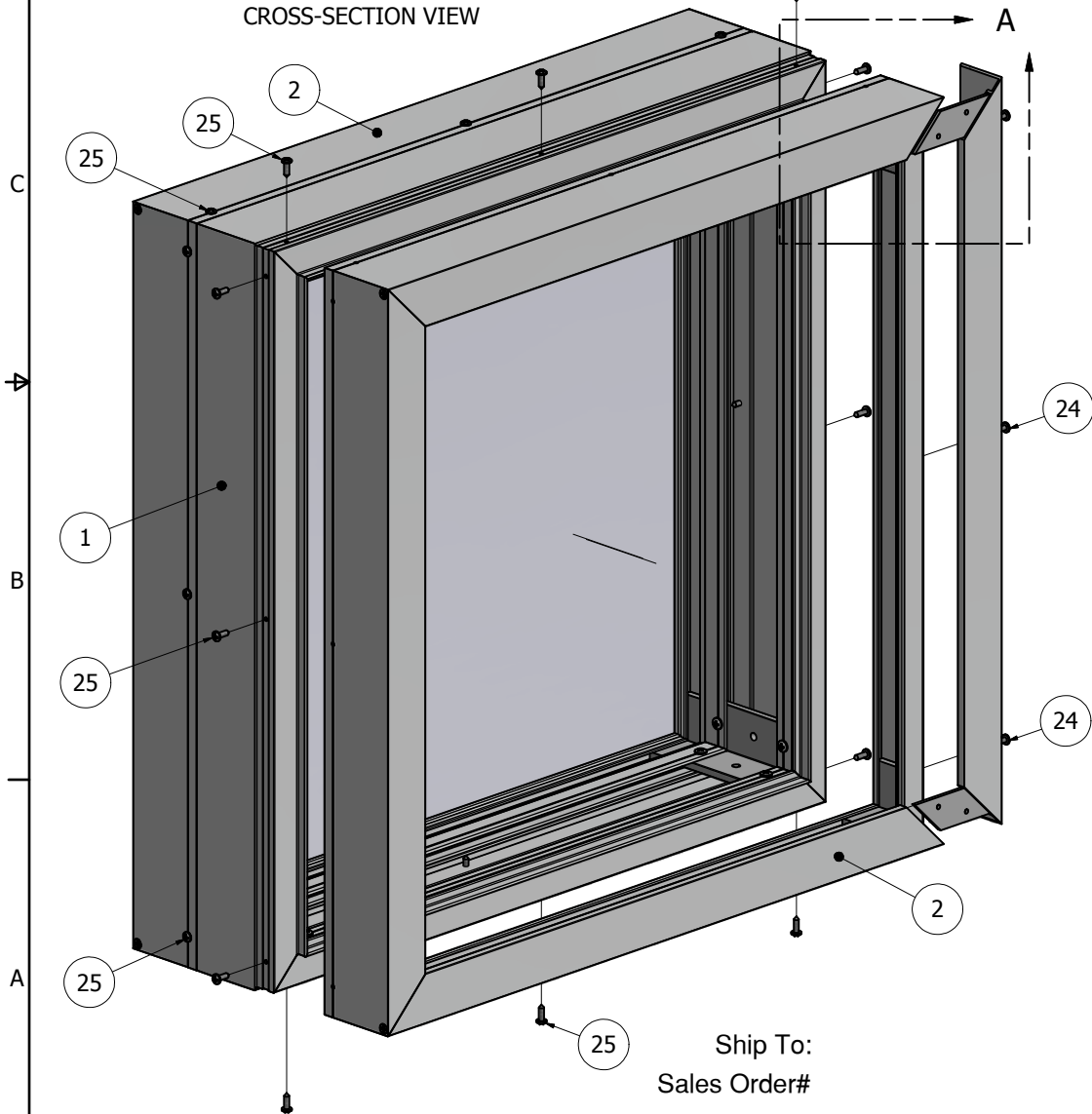
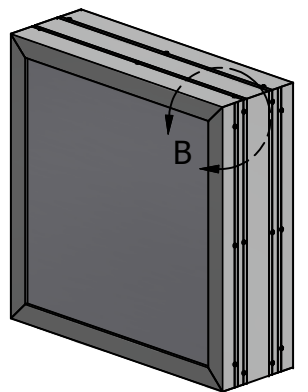
| PARTS LIST | | | |
|------------|-------------|---|----------------------------|
| ITEM | PART # | DESCRIPTION | NOTES |
| 1 | K1936 | 2Part 6in Double Face Body | Assembly |
| 2 | K1940/55/44 | 2Part Ext. Retainer/ 2Part Ext. Frame/ 2Part Retainer | Assembly |
| 24 | 5290 | 2Part Retainer Screw | Pre-drill 1/8" pilot holes |
| 25 | 5290 | 2Part Ext. Retainer Screw | Pre-drill 1/8" pilot hoels |



CROSS-SECTION VIEW



DETAIL B



DETAIL A

NOTE: PRE-CUT KITS ARE NOT PRE-DRILLED.
 (Holes shown in this drawing are for reference only.
 Drilling of pilot holes are to be done by fabricator.)

| | | |
|---|--|-----------------|
| DRAWING BY: SBreihof 1/17/2014 | | SignComp |
| Centroid X: 0.000 in | TITLE | |
| Centroid Y: 0.000 in | 2Part 6in Double Face Body w/ 2Part Extended Retainer - Assembly | |
| Principal Moments Ix: 0.000 in ⁴ | PART NO | REV |
| Principal Moments Iy: 0.000 in ⁴ | K1936/40 | |
| Section Modulus Ix: 0.000 in ³ | SHEET 1 OF 1 | |
| Section Modulus Iy: 0.000 in ³ | | |

Ship To:
Sales Order#