

Available with  
or without posts

## Features & Benefits

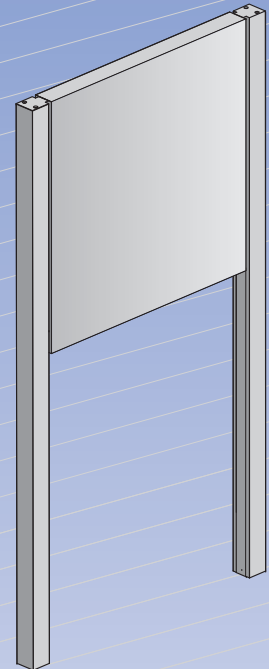
The Series 2 Frameless Body gives the post and panel a true frameless appearance. The Frameless Body has a large bonding area for aluminum faces. Corner angle slot provides ease of assembly and added structure. The body can integrate with any of the 12 post options below. This is available in Mill Finish.

## Answers to FAQ's

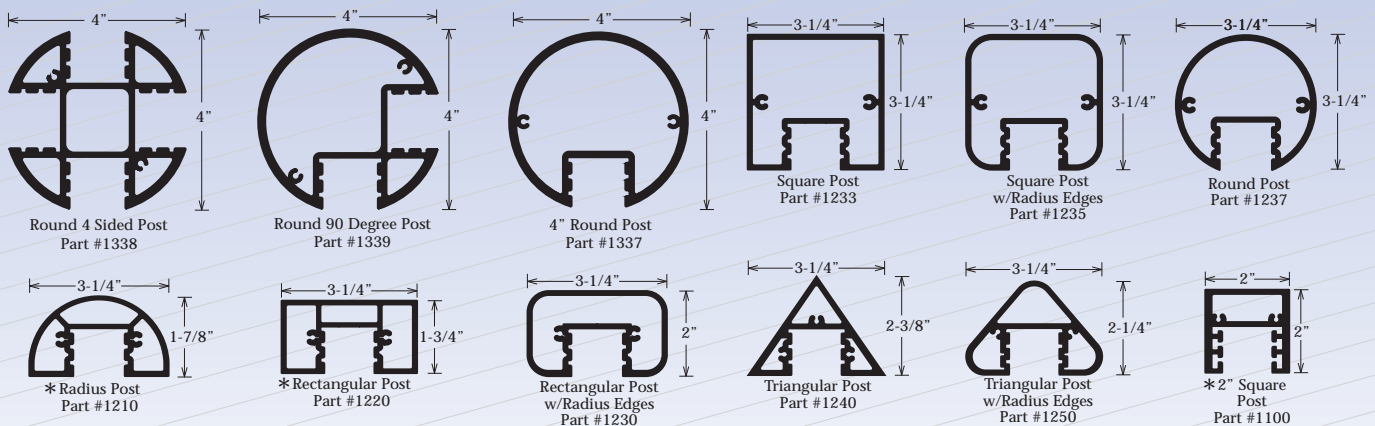
- Recommended panel thickness .100" - .125".
- Great "C" channel for kerf cutting custom shapes.
- Panel size is the same as the height and width.

## Optional Item

- Face material. (Available in Mill Finish only.)



## 12 Post Options



\*Post options available in a Bronze Finish