

Available with  
or without posts

### Features & Benefits

The Series 3, 1/4 Round Body gives the post and panel a radius appearance. The body can integrate with any of the 12 post options below. This is available in Mill Finish.

### Answers to FAQ's

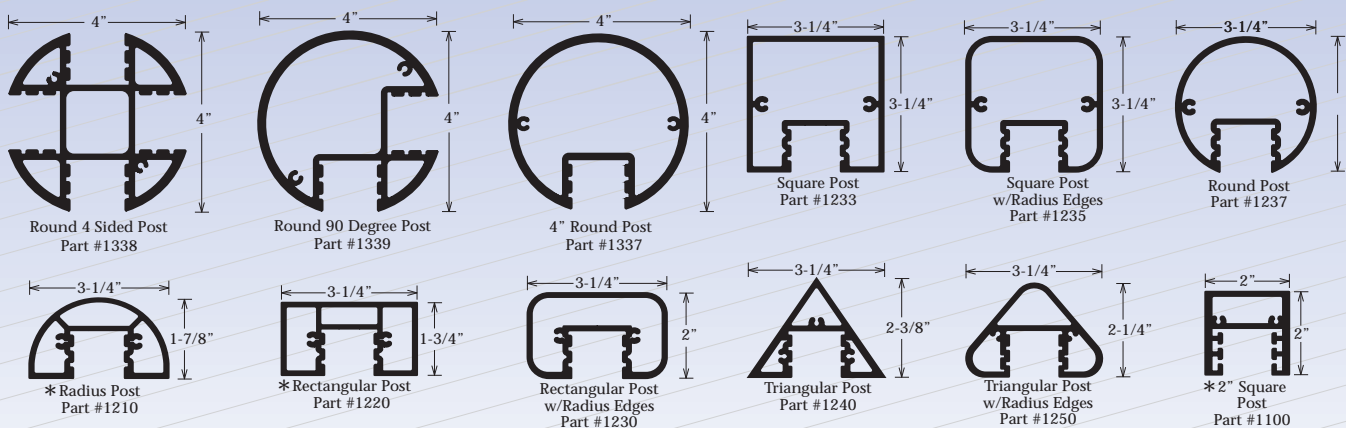
- Recommended panel thickness .100.
- Face material trim size - Deduct 1" from the height and width.

### Optional Item

- Face material. (Available in Mill Finish only.)



### 12 Post Options



\*Post options available in a Bronze Finish