

Available with or without posts

## Features & Benefits

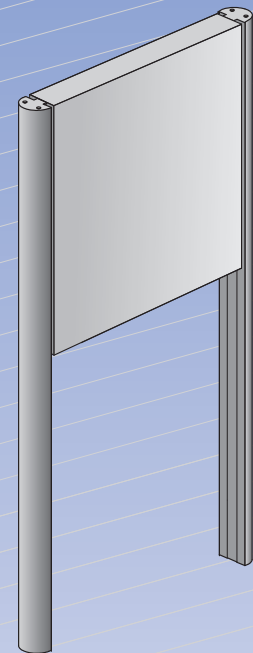
The Series 3 Frameless Body gives the post and panel a true frameless appearance. It is a great body for kerf cutting custom shapes. The body can integrate with any of the 12 post options below. This is available in Mill Finish.

## Answers to FAQ's

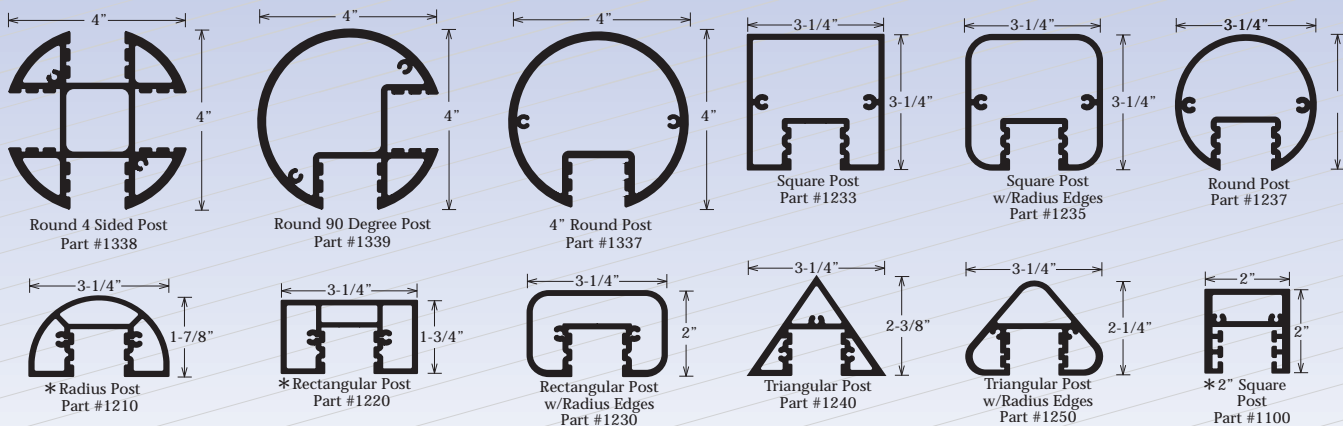
- Recommended panel thickness .100"-.125".
- Panel size is the same as the height and width.

## Optional Item

- Face material. (Available in Mill Finish only.)



## 12 Post Options



\*Post options available in a Bronze Finish