

2



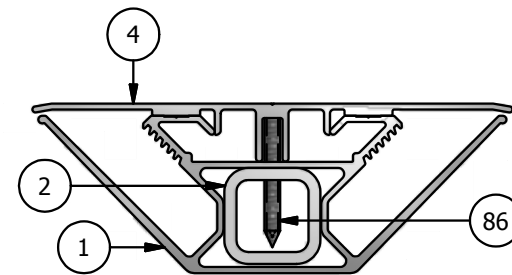
1

PARTS LIST

ITEM	PART #	DESCRIPTION	NOTES
1	K2230	Flat Bleed Double Face Tension Body	Assembly
2		1" Sq Tube Support	Not Provided by Signcomp
3		Attachment Plate	Not Provided by SignComp
4	2235	Flat Bleed Double Face Tension Cover	All sides
86	5270	Flat Bleed Double Face Tension Cover Screw	#8 x 1-1/2" countersink screw - One (1) every 24"

NOTE: PRE-CUT KITS ARE NOT PRE-DRILLED.

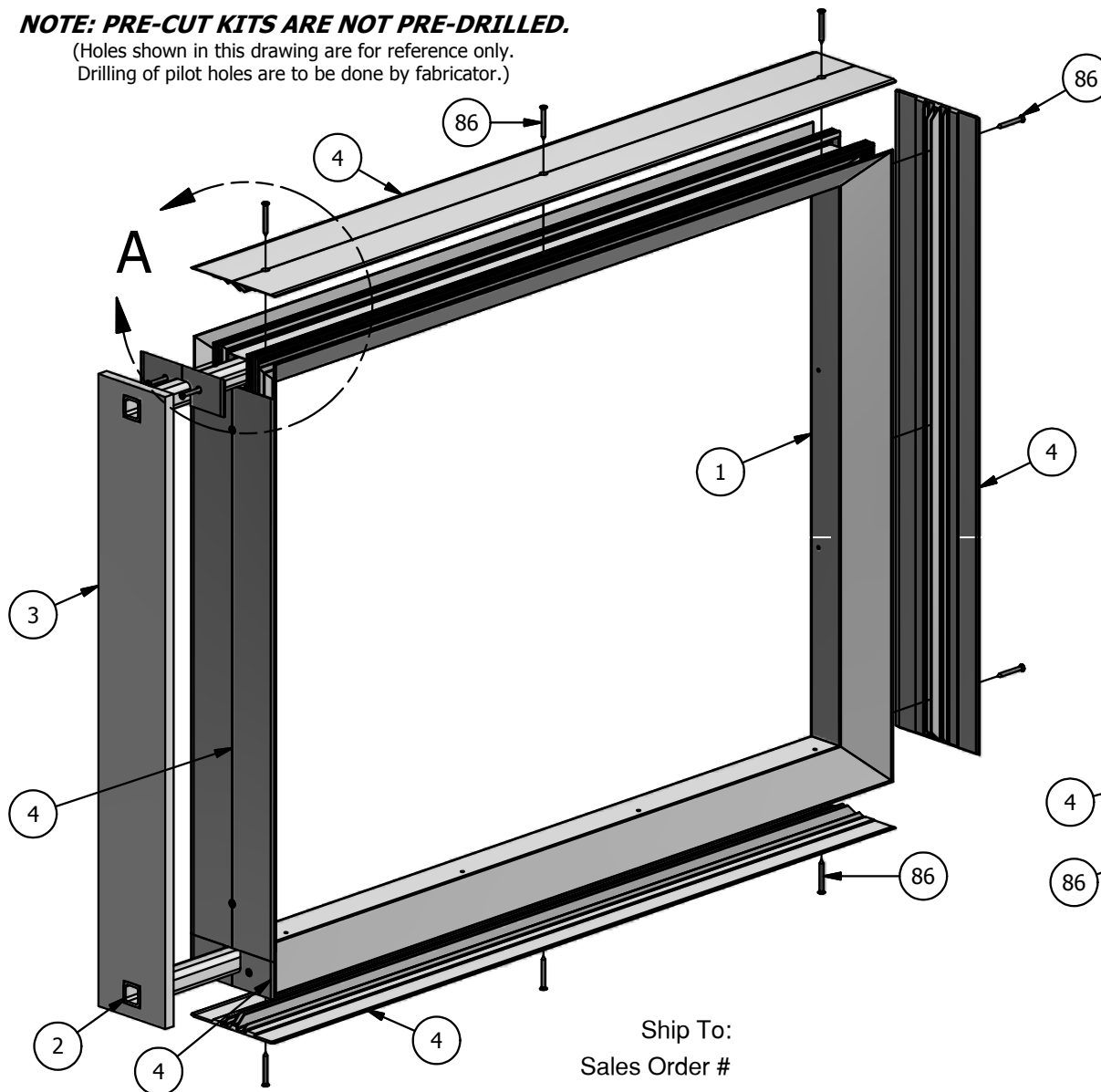
(Holes shown in this drawing are for reference only.
Drilling of pilot holes are to be done by fabricator.)



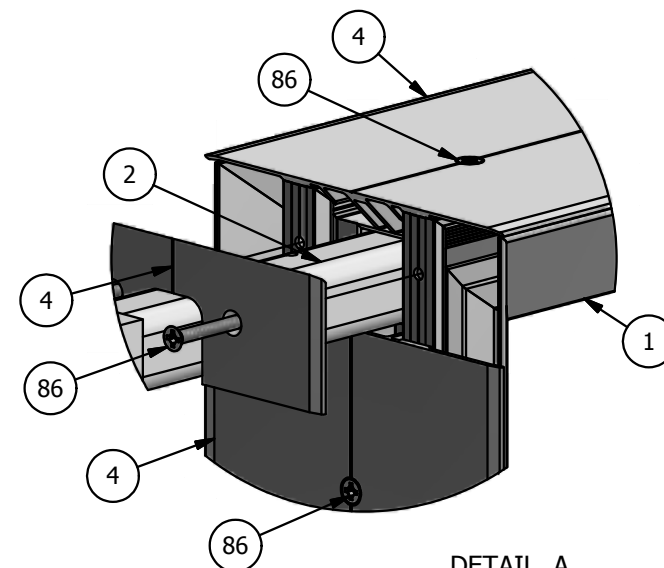
CROSS-SECTION VIEW

NOTE: THE LENGTH OF THE COVER SCREW HAS A MULTI PURPOSE. IT ATTACHES THE COVER TO THE BODY, AND ALSO EXTENDS INTO THE HOLLOW CHANNEL IN THE BODY, SECURING THE BODY TO THE STRUCTURAL TUBE.

B



Ship To:
Sales Order #

DETAIL A
ASSEMBLED

2



1

B



A

THIS DRAWING WAS CREATED AT NO CHARGE TO ASSIST YOU IN VISUALIZING OUR PROPOSAL. THE DRAWING HEREIN IS THE PROPERTY OF SIGNCOMP. PERMISSION TO COPY OR REVISE THIS DRAWING OR TO USE THIS DRAWING FOR PRODUCTION IS STRICTLY PROHIBITED AND CAN ONLY BE COPIED, REVISED OR USED FOR PRODUCTION WITH THE EXPRESSED WRITTEN PERMISSION OF SIGNCOMP.

Part Name: Flat Bleed Double Face Tension Body w/ Bleed Cover - Assembly

Size: A

Sheet: 1 of 1

Drawing By: SBreihof

Revision:

Date: 4/7/2015

Part Number: K2230/2235

SignComp