

Features & Benefits

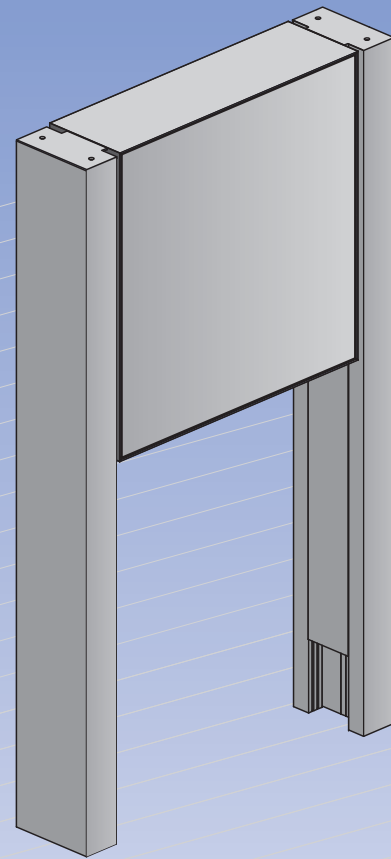
The Series 7 Bleed Body gives the post and panel a frameless appearance. The body can integrate with any of the 3 post options below. This is available in a Mill Finish.

Answers to FAQ's

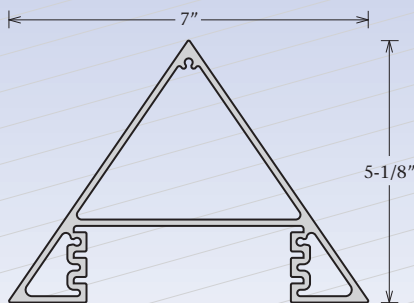
- Recommended panel thickness .100.
- Deduct 1/4" from bodies height and width to get the panel size.

Optional Item

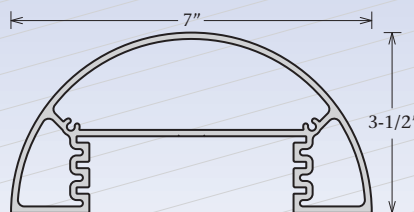
- Face material.



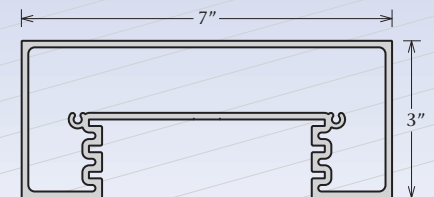
3 Post Options



Triangular Post
Part #1530



Radius Post
Part #1500



Rectangular Post
Part #1510