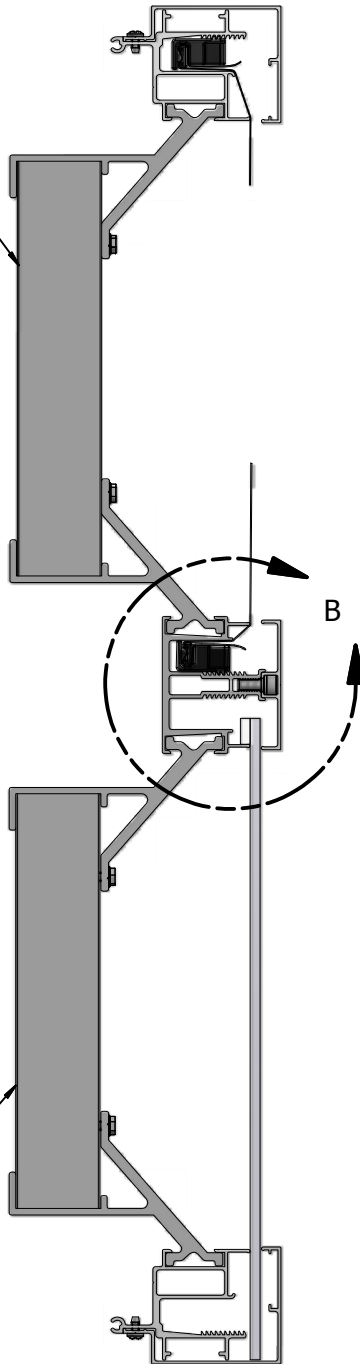


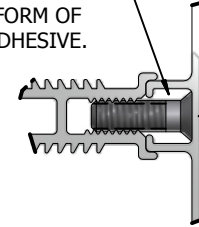
Ship To:
Sales Order #

NOTE: PLACE A VERTICAL SUPPORT ASSEMBLY APPROXIMATELY EVERY 36" ON CENTER FOR COMPRESSION BRACING APPLICATIONS.

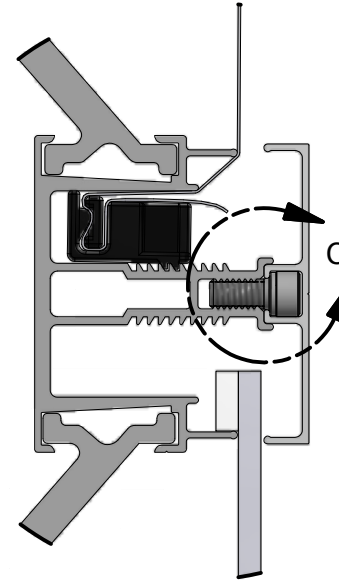


NOTE: PLACE A MINIMUM OF (1) VERTICAL SUPPORT ASSEMBLY IN THE CENTER OF EACH 12' SPAN. AN 18' SPAN WOULD REQUIRE (2) VERTICAL ASSEMBLIES.

NOTE: WHEN USING A COUNTERSINK FASTENER, THIS VOID WOULD NEED TO BE FILLED WITH EITHER A SOLID MATERIAL OR A FORM OF EPOXY ADHESIVE.



DETAIL C
OPTIONAL FASTENER



DETAIL B

NOTE: All structural detailing for sign construction is the sole responsibility of the sign contractor. All details shown here should be considered as **DESIGN INTENT ONLY**. The sign fabricator shall provide engineering drawings stamped by a licenced structural engineer.

ITEM	PART #	DESCRIPTION
1	2065	Dual Frame
2	2075	2-1/4" Dual Frame Cover
3	2142	
4	2146	2-1/2" Dual Divider Cover
5	2175	Frame Support Tube
6	5350	Frame Brace
7	5360	Tension Clip
8		Flex Fabric Face - By Other
9		Lexan Face - By Other
12	5195	Cover Screw - Predrill 1/8" pilot hole
22	5170	Dual Divider Cover Screw - Drill 3/8" oversized hole

THIS DRAWING WAS CREATED AT NO CHARGE TO ASSIST YOU IN VISUALIZING OUR PROPOSAL. THE DRAWING HEREIN IS THE PROPERTY OF SIGNCOMP. PERMISSION TO COPY OR REVISE THIS DRAWING OR TO USE THIS DRAWING FOR PRODUCTION IS STRICTLY PROHIBITED AND CAN ONLY BE COPIED, REVISED OR USED FOR PRODUCTION WITH THE EXPRESSED WRITTEN PERMISSION OF SIGNCOMP.

Project Name: **Dual Frm & 2-1/4" Dual Frm Cover w/ Dual Div.** Size: **A**
 Sign Company: **K2065/75 -2142/46** Sheet: **1 of 1**
 Date: **10/20/2014** Drawing By: **SBreihof**

SignComp