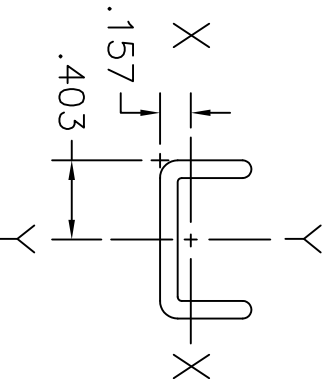


# Channel Letter Raceway U-Channel Part#1978

Scale = 1 : 1



Area: 0.1349

Perimeter: 3.1183

Bounding box: X: 0.0000 -- 0.8050  
Y: 0.0000 -- 0.4650

Centroid: X: 0.4025  
Y: 0.1568

Moments of inertia: X: 0.0058  
Y: 0.0337

Product of inertia: XY: 0.0085

Radii of gyration: X: 0.2078  
Y: 0.5000

Principal moments and X-Y directions about centroid:

I: 0.0025 along [1.0000 0.0000]

J: 0.0119 along [0.0000 1.0000]

Section Modulus: X-X: 0.019in<sup>3</sup>  
Y-Y: 0.030in<sup>3</sup>



3032 WALKER RIDGE DR.  
GRAND RAPIDS, MI 49544  
TOLL FREE: (616) 794-0405 FAX: (616) 794-0411

CUSTOMER	DWG NO.	REV
Standard	1978	
DESCRIPTION	DATE	SHEET
Channel Letter Raceway U-Channel	4-9-13	1 OF 1