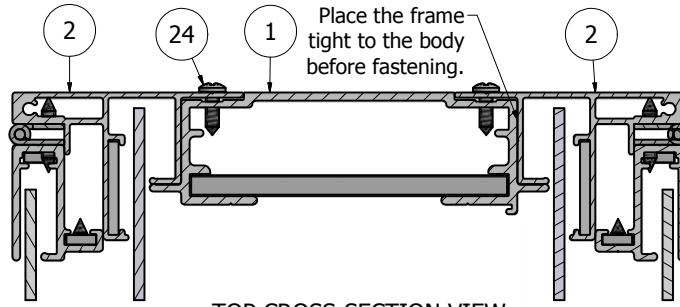
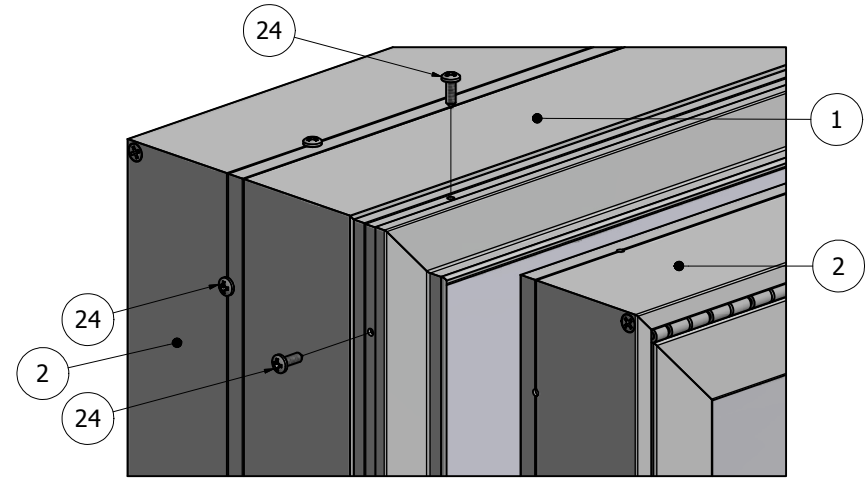
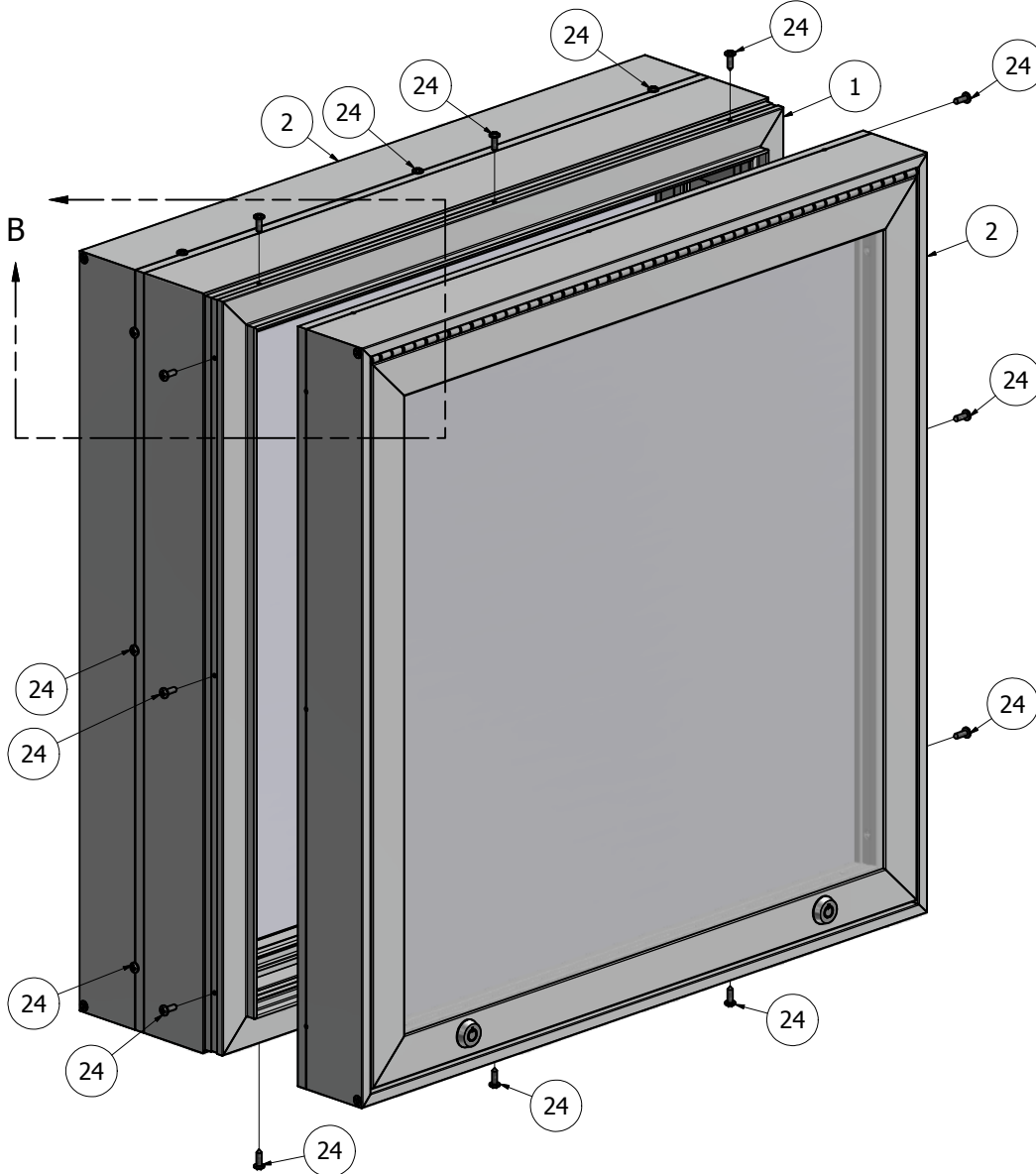
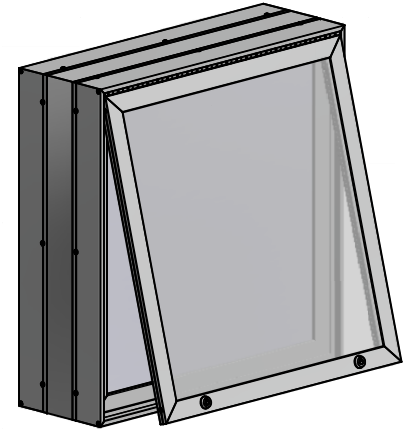


PARTS LIST			
ITEM	PART#	DESCRIPTION	NOTES
1	K1936	2Part 6in Double Face Body	Assembly
2	K1960/42	2Part Inner/Outer Frame	Assembly
24	5290	Retainer Screw	Drill 1/8" pilot hole

Ship To:
Sales Order#



TOP CROSS-SECTION VIEW



DETAIL B

NOTE: PRE-CUT KITS ARE NOT PRE-DRILLED.
(Holes shown in this drawing are for reference only.
Drilling of pilot holes are to be done by fabricator.)

THIS DRAWING WAS CREATED AT NO CHARGE TO ASSIST YOU IN VISUALIZING OUR PROPOSAL. THE DRAWING HEREIN IS THE PROPERTY OF SIGNCOMP. PERMISSION TO COPY OR REVISE THIS DRAWING OR TO USE THIS DRAWING FOR PRODUCTION IS STRICTLY PROHIBITED AND CAN ONLY BE COPIED, REVISED OR USED FOR PRODUCTION WITH THE EXPRESSED WRITTEN PERMISSION OF SIGNCOMP.

DRAWING BY:	SBreihof	12/6/2013
Centroid X:	0.000 in	
Centroid Y:	0.000 in	
Principal Moments Ix:	0.000 in ⁴	
Principal Moments Iy:	0.000 in ⁴	
Section Modulus Ix:	0.000 in ³	
Section Modulus Iy:	0.000 in ³	

SignComp

2Part 6in Double Face Body w/
Vandal Frame - Assembly

PART NO	K1936/60/42	REV
---------	--------------------	-----