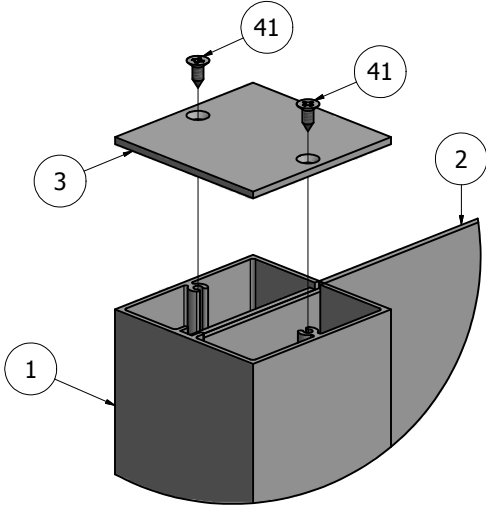
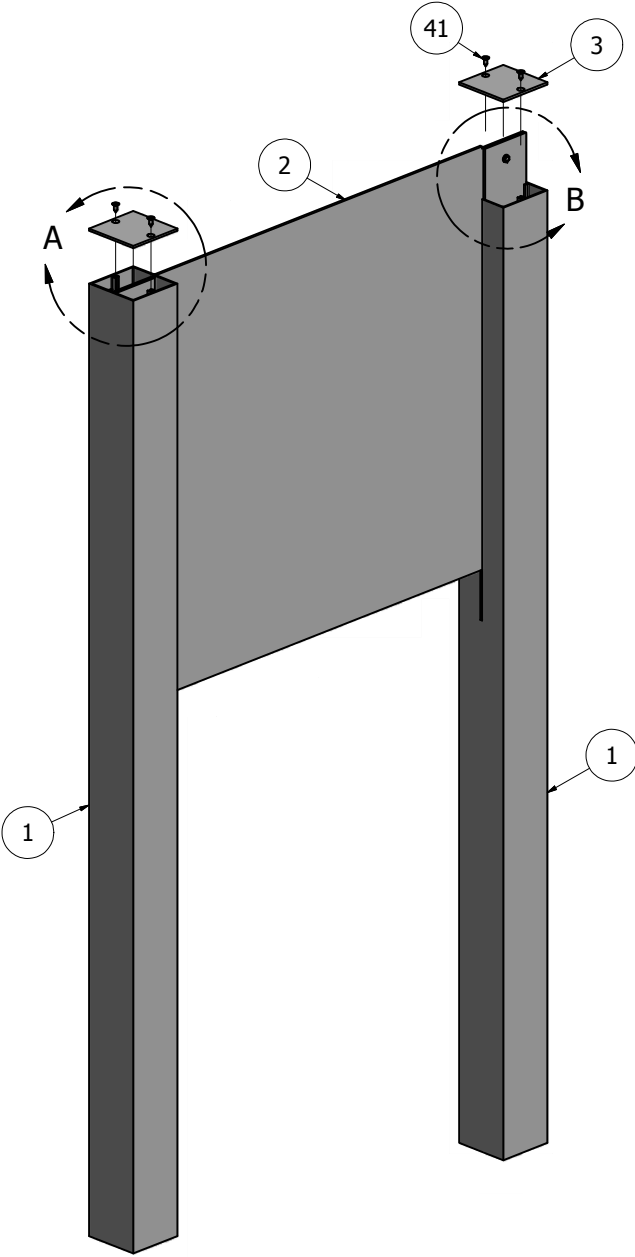
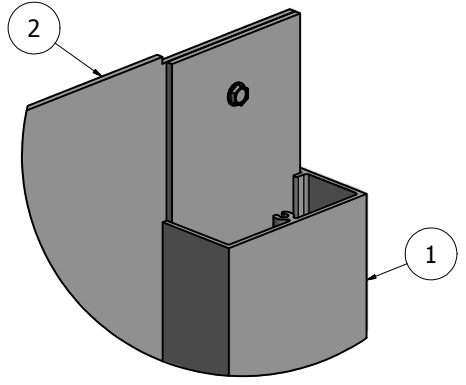


PARTS LIST			
ITEM	PART #	DESCRIPTION	NOTES
1	1005	Series 1, 3 1/4" Square Post	
2	N/A	Face Assembly	Slide face assembly into posts
3	5252	Series 1, 3 1/4" Square Post Cap	
41	5040	Cap Screw	#10 x 1/2" countersink phillips head screw

Ship To:
Sales Order#



DETAIL A



DETAIL B

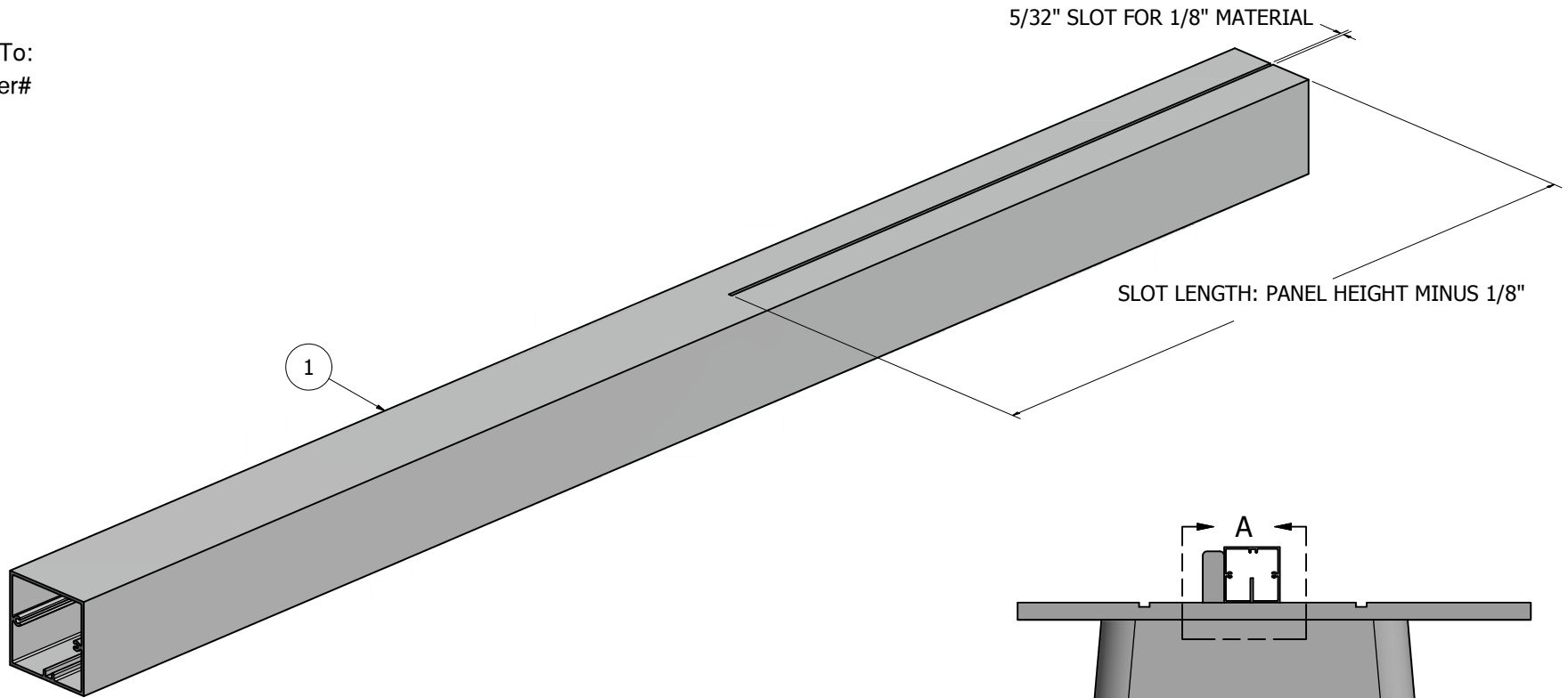
NOTE: PRE-CUT KITS ARE NOT PRE-DRILLED.
(Holes shown in this drawing are for reference only.
Drilling of pilot holes are to be done by fabricator.)

THIS DRAWING WAS CREATED AT NO CHARGE TO ASSIST YOU IN VISUALIZING OUR PROPOSAL. THE DRAWING HEREIN IS THE PROPERTY OF SIGNCOMP. PERMISSION TO COPY OR REVISE THIS DRAWING OR TO USE THIS DRAWING FOR PRODUCTION IS STRICTLY PROHIBITED AND CAN ONLY BE COPIED, REVISED OR USED FOR PRODUCTION WITH THE EXPRESSED WRITTEN PERMISSION OF SIGNCOMP.

DRAWING BY:	SBreihof	9/24/2013	SignComp
Centroid X:	0.000 in		
Centroid Y:	0.000 in		
Principal Moments Ix:	0.000 in ⁴		TITLE
Principal Moments Iy:	0.000 in ⁴		Series 1, 3 1/4" Square Post - Assembly
Section Modulus Ix:	0.000 in ³		PART NO
Section Modulus Iy:	0.000 in ³		1005
			REV

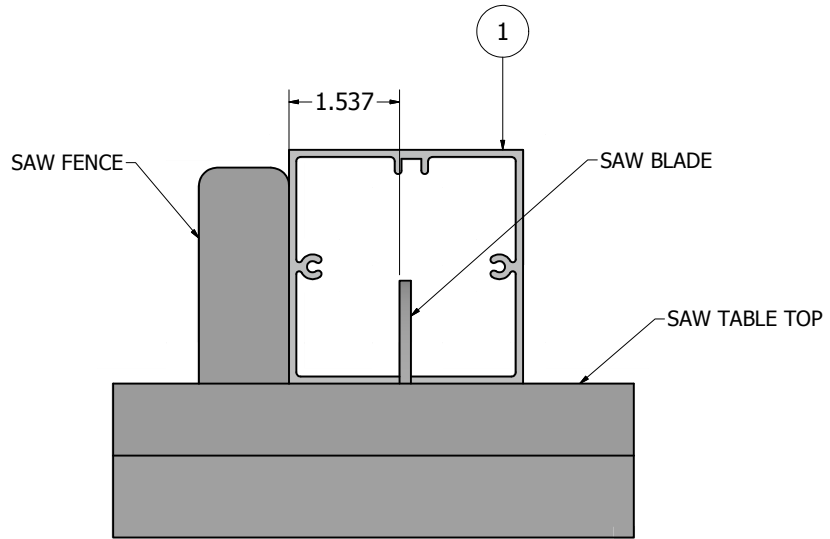
PARTS LIST			
ITEM	PART #	DESCRIPTION	NOTES
1	1005	Series 1, 3 1-4in Square Post	Slot Length: Panel Height minus 1/8"

Ship To:
Sales Order#

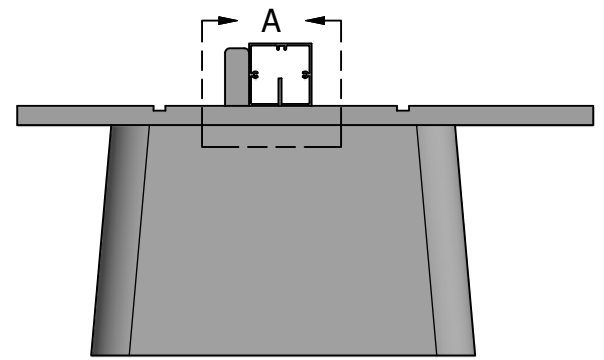


5/32" SLOT FOR 1/8" MATERIAL

SLOT LENGTH: PANEL HEIGHT MINUS 1/8"



DETAIL A

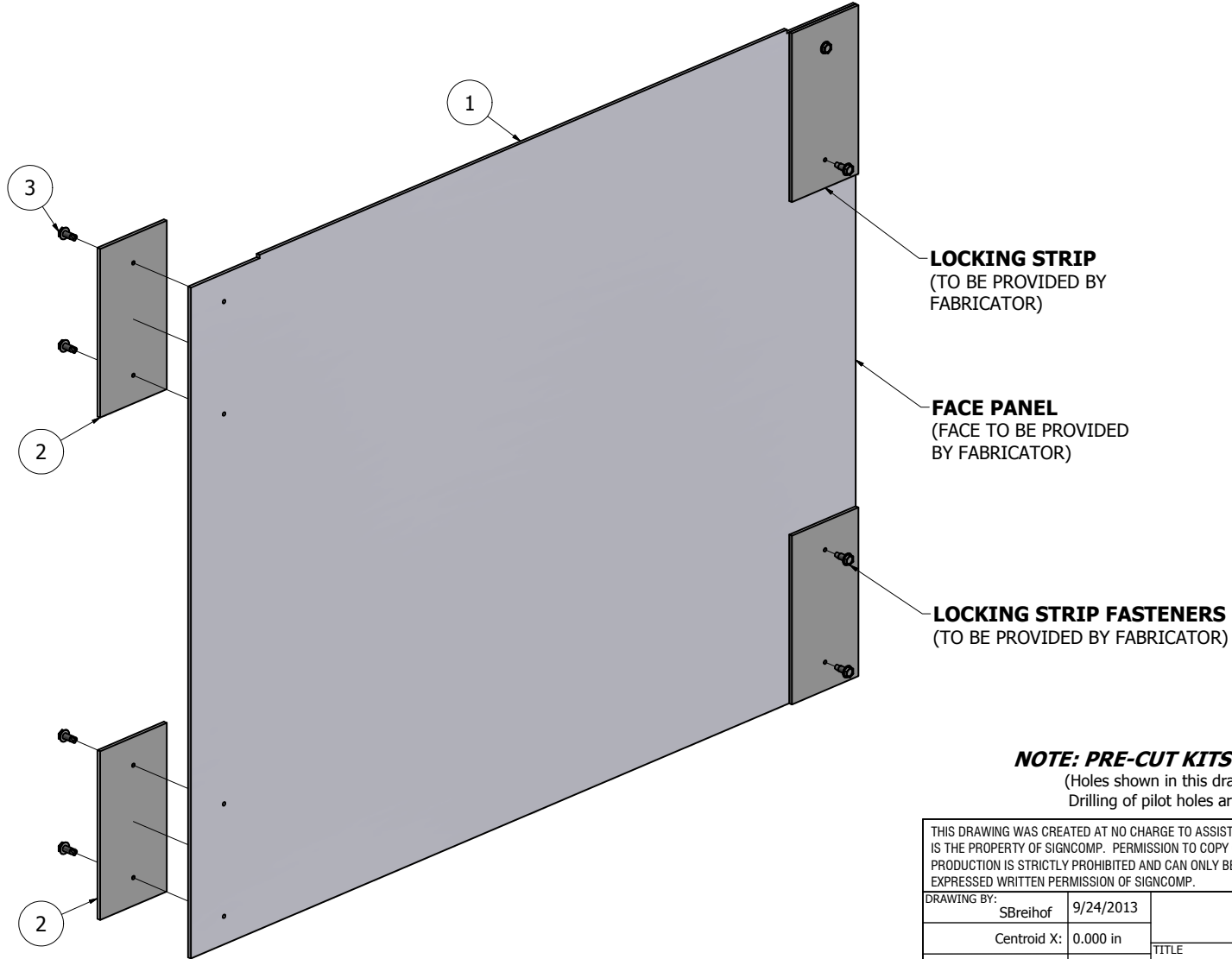


NOTE: PRE-CUT KITS ARE NOT PRE-DRILLED.
(Holes shown in this drawing are for reference only.
Drilling of pilot holes are to be done by fabricator.)

THIS DRAWING WAS CREATED AT NO CHARGE TO ASSIST YOU IN VISUALIZING OUR PROPOSAL. THE DRAWING HEREIN IS THE PROPERTY OF SIGNCOMP. PERMISSION TO COPY OR REVISE THIS DRAWING OR TO USE THIS DRAWING FOR PRODUCTION IS STRICTLY PROHIBITED AND CAN ONLY BE COPIED, REVISED OR USED FOR PRODUCTION WITH THE EXPRESSED WRITTEN PERMISSION OF SIGNCOMP.					
DRAWING BY:	SBreihof	9/24/2013	SignComp		
Centroid X:	0.000 in				
Centroid Y:	0.000 in				
Principal Moments Ix:	0.000 in ⁴		Series 1, 3 1/4" Square Post - Slotting		
Principal Moments Iy:	0.000 in ⁴				
Section Modulus Ix:	0.000 in ³		PART NO	1005	REV
Section Modulus Iy:	0.000 in ³		SHEET 1 OF 1		

PARTS LIST			
ITEM	PART#	DESCRIPTION	NOTES
1	N/A	1/8" Face Panel	Face supplied by fabricator - Add 6-1/4" material to the width to insert into the post.
2	N/A	Locking Strip	Locking Strips by fabricator - 3.025" x 6" x 1/8" Aluminum Locking Strip
3	N/A	Locking Strip Attachment Fastener	Attachment Fasteners by fabricator - Attachment can be done by screws, pop-rivets or bonding

Ship To:
Sales Order#



NOTE: PRE-CUT KITS ARE NOT PRE-DRILLED.
(Holes shown in this drawing are for reference only.
Drilling of pilot holes are to be done by fabricator.)

THIS DRAWING WAS CREATED AT NO CHARGE TO ASSIST YOU IN VISUALIZING OUR PROPOSAL. THE DRAWING HEREIN IS THE PROPERTY OF SIGNCOMP. PERMISSION TO COPY OR REVISE THIS DRAWING OR TO USE THIS DRAWING FOR PRODUCTION IS STRICTLY PROHIBITED AND CAN ONLY BE COPIED, REVISED OR USED FOR PRODUCTION WITH THE EXPRESSED WRITTEN PERMISSION OF SIGNCOMP.

DRAWING BY:	SBreihof	9/24/2013	SignComp
Centroid X:	0.000 in		
Centroid Y:	0.000 in		TITLE
Principal Moments Ix:	0.000 in ⁴		Series 1, 3 1/4" Square Post Face with Locking Strips - Assembly
Principal Moments Iy:	0.000 in ⁴		PART NO
Section Modulus Ix:	0.000 in ³		1005-FACE
Section Modulus Iy:	0.000 in ³		REV