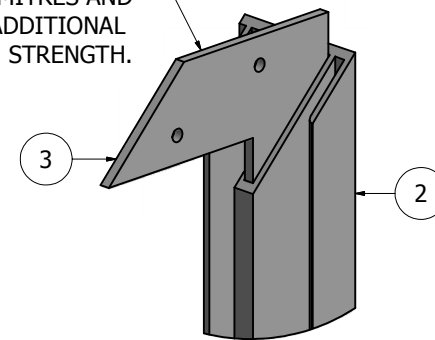


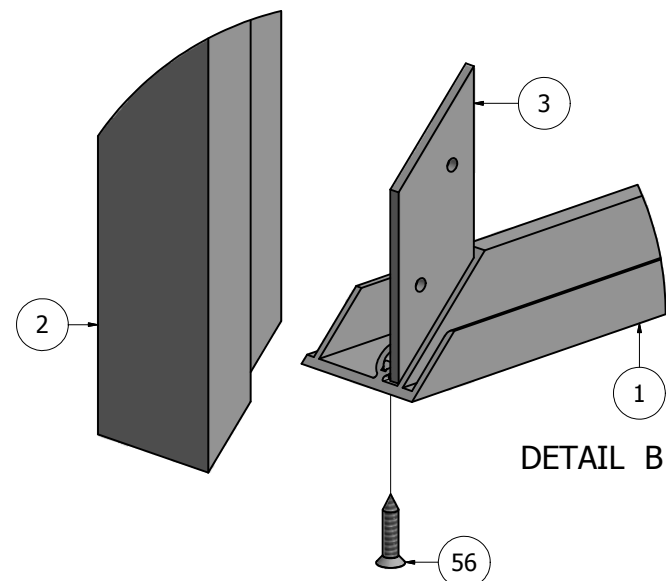
PARTS LIST			
ITEM	PART#	DESCRIPTION	NOTES
1	1265	Series 3 1/2 Slide Body	Top & Bottom
2	1265	Series 3 1/2 Slide Body	Sides
3	5210	Corner Key	
56	5241	Series 3 1/2 Slide Body Corner Screw	Drill #8 counter sink

Ship To:
Sales Order#:

CORNER KEY FLOATS
IN THE FRAME TO HELP
ALIGN THE MITRES AND
PROVIDE ADDITIONAL
STRENGTH.



DETAIL A



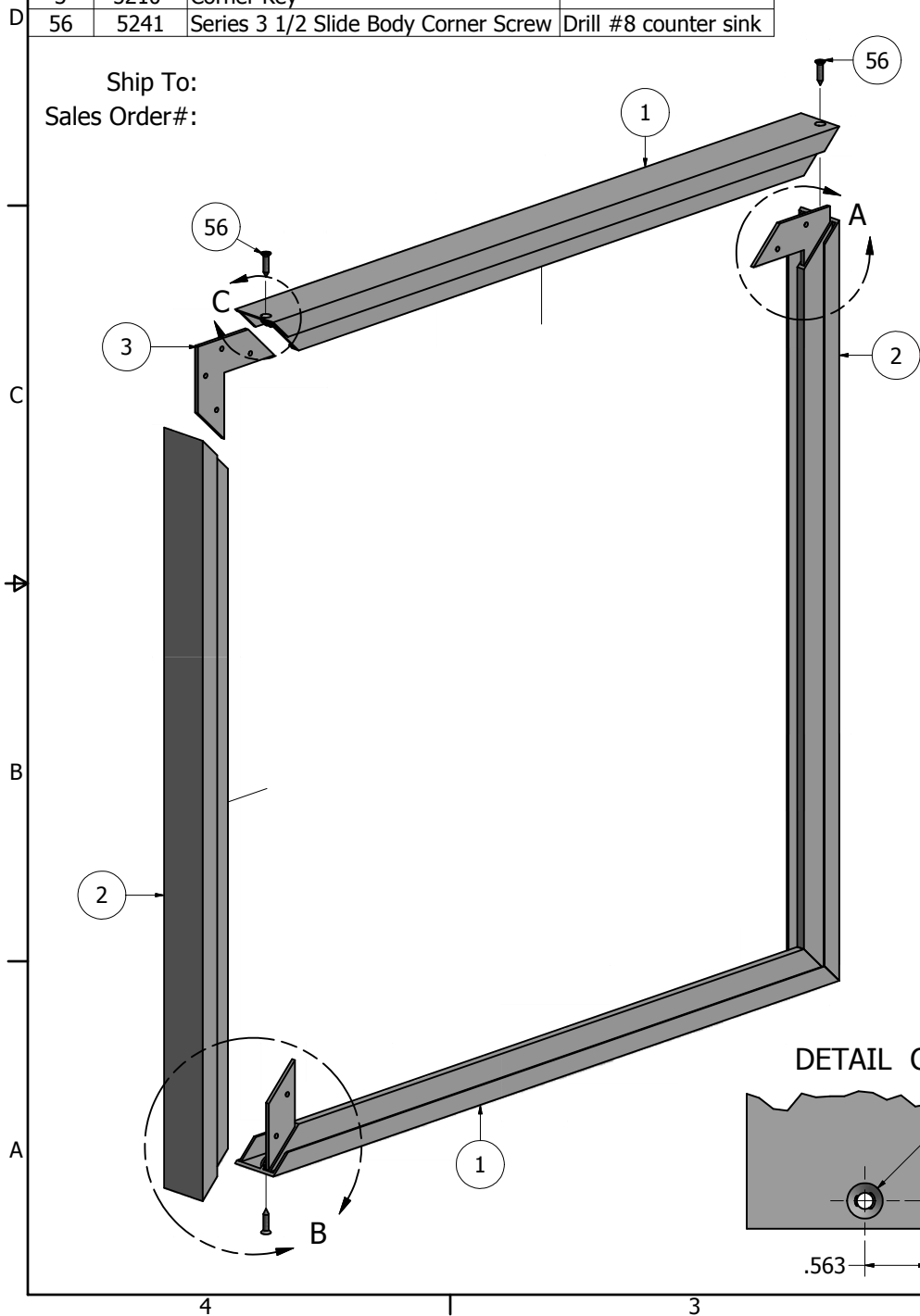
DETAIL B

NOTE: PRE-CUT KITS ARE NOT PRE-DRILLED.
(Holes shown in this drawing are for reference only.
Drilling of pilot holes are to be done by fabricator.)

THIS DRAWING WAS CREATED AT NO CHARGE TO ASSIST YOU IN VISUALIZING OUR PROPOSAL. THE DRAWING HEREIN IS THE PROPERTY OF SIGNCOMP. PERMISSION TO COPY OR REVISE THIS DRAWING OR TO USE THIS DRAWING FOR PRODUCTION IS STRICTLY PROHIBITED AND CAN ONLY BE COPIED, REVISED OR USED FOR PRODUCTION WITH THE EXPRESSED WRITTEN PERMISSION OF SIGNCOMP.

DRAWN	SBreihof	8/1/2012
Centroid X:	0.000 in	
Centroid Y:	0.000 in	
Principal Moments Ix:	0.000 in ⁴	
Principal Moments Iy:	0.000 in ⁴	
Section Modulus Ix:	0.000 in ³	
Section Modulus Iy:	0.000 in ³	

SignComp	
Series 3 1/2 Slide Body	
DWG NO	K1265
REV	



DETAIL C

