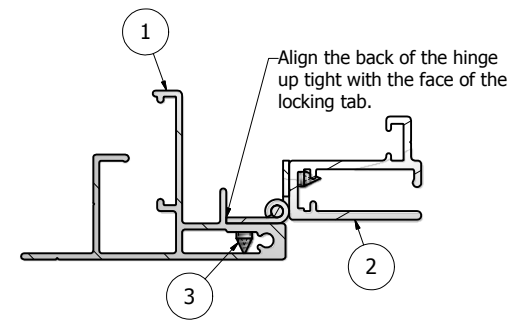
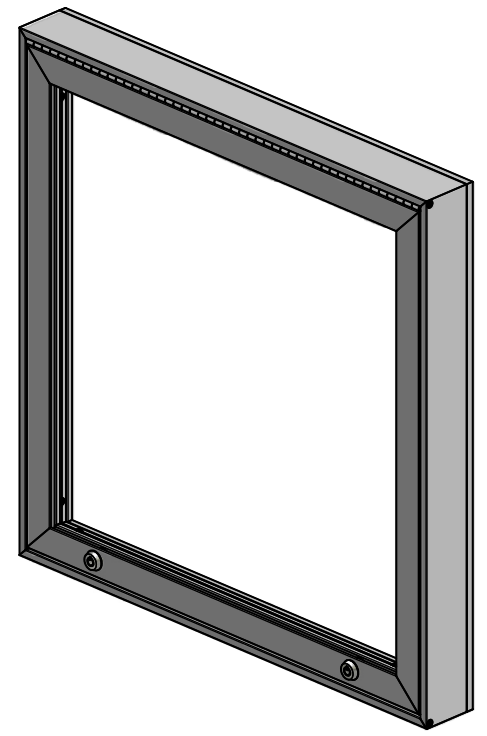
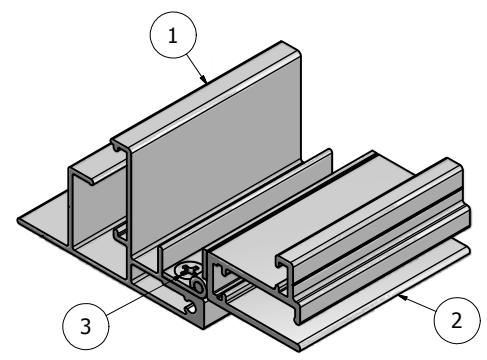
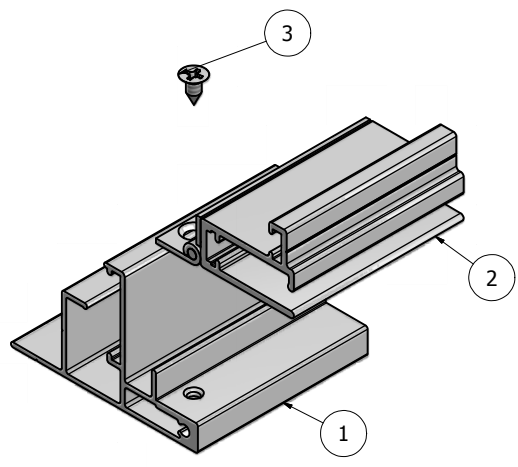
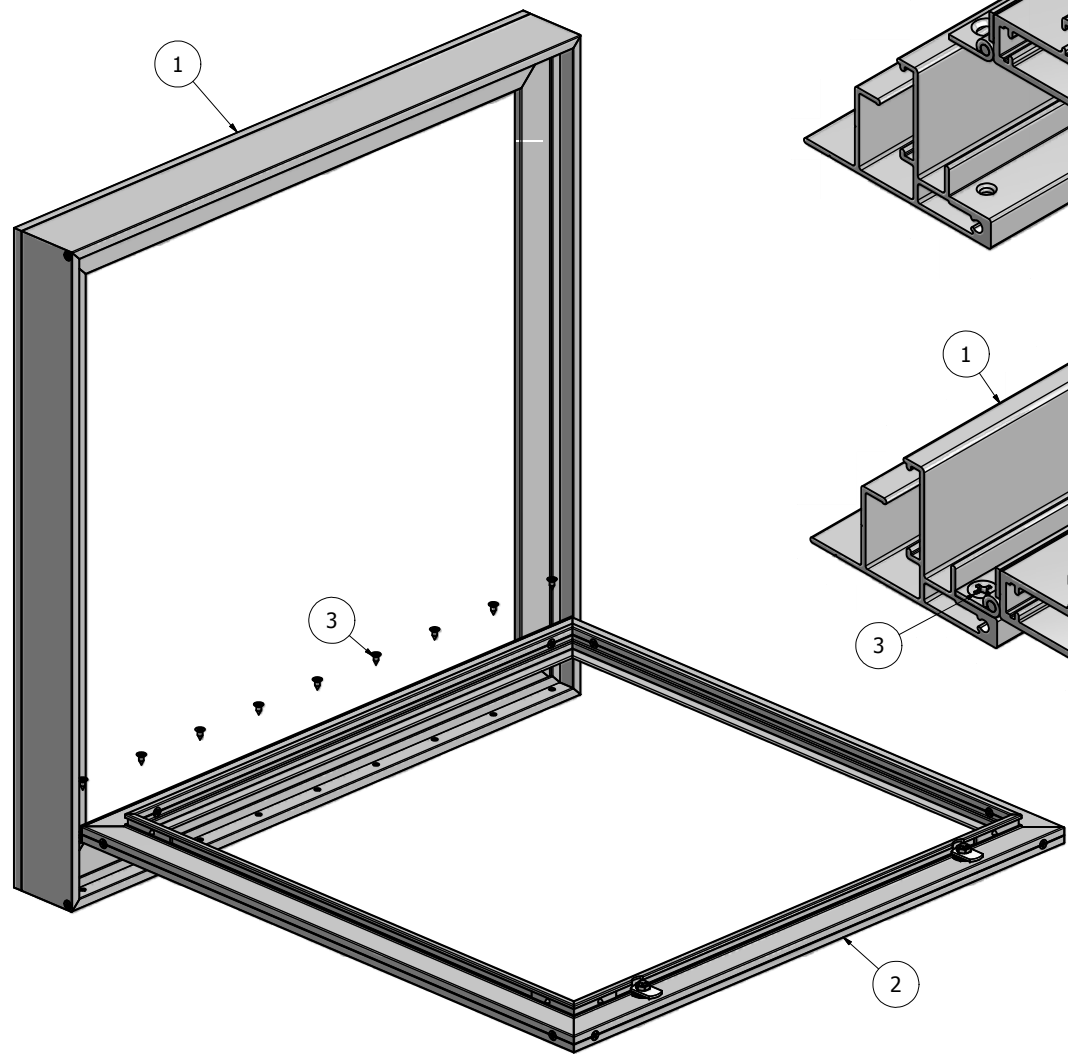


Parts List			
ITEM	PART #	DESCRIPTION	NOTES
1	K1960	2Part Inner Fame	Assembly
2	K1942	2Part Outer Frame	Assembly
3		Hinge Fastener	1/8" Pop Rivet or #8 Counter Sunk Fastener

Ship To:

Order Number:



NOTE: PRE-CUT KITS ARE NOT PRE-DRILLED.
 (Holes shown in this drawing are for reference only.
 Drilling of pilot holes are to be done by fabricator.)

TIP: High bond tape or bonding agents can be used to help secure the hinge to the frame and assist in the installation of the hinge. Be careful not to get the tape on the barrel of the hinge. To do so may cause the hinge not to open properly.

THIS DRAWING WAS CREATED AT NO CHARGE TO ASSIST YOU IN VISUALIZING OUR PROPOSAL. THE DRAWING HEREIN IS THE PROPERTY OF SIGNCOMP. PERMISSION TO COPY OR REVISE THIS DRAWING OR TO USE THIS DRAWING FOR PRODUCTION IS STRICTLY PROHIBITED AND CAN ONLY BE COPIED, REVISED OR USED FOR PRODUCTION WITH THE EXPRESSED WRITTEN PERMISSION OF SIGNCOMP.			
DRAWN	6/18/2010	<h1>SignComp</h1>	
Steve			
CHECKED		TITLE	
QA		2Part Inner Frame - 2Part Outer Frame - Assembly	
MFG		SIZE	DWG NO
APPROVED		C	1960-42
		SCALE	SHEET 1 OF 1