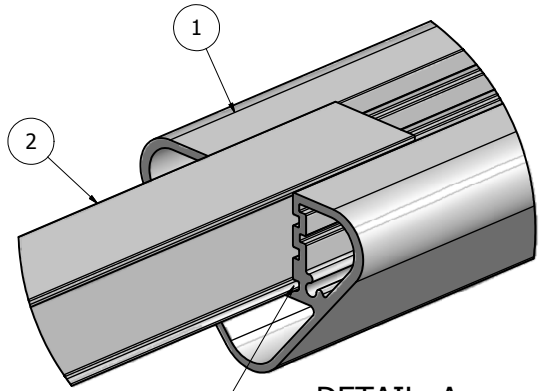
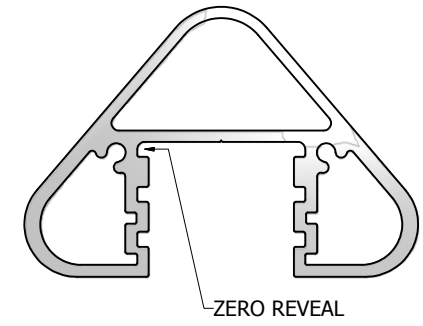
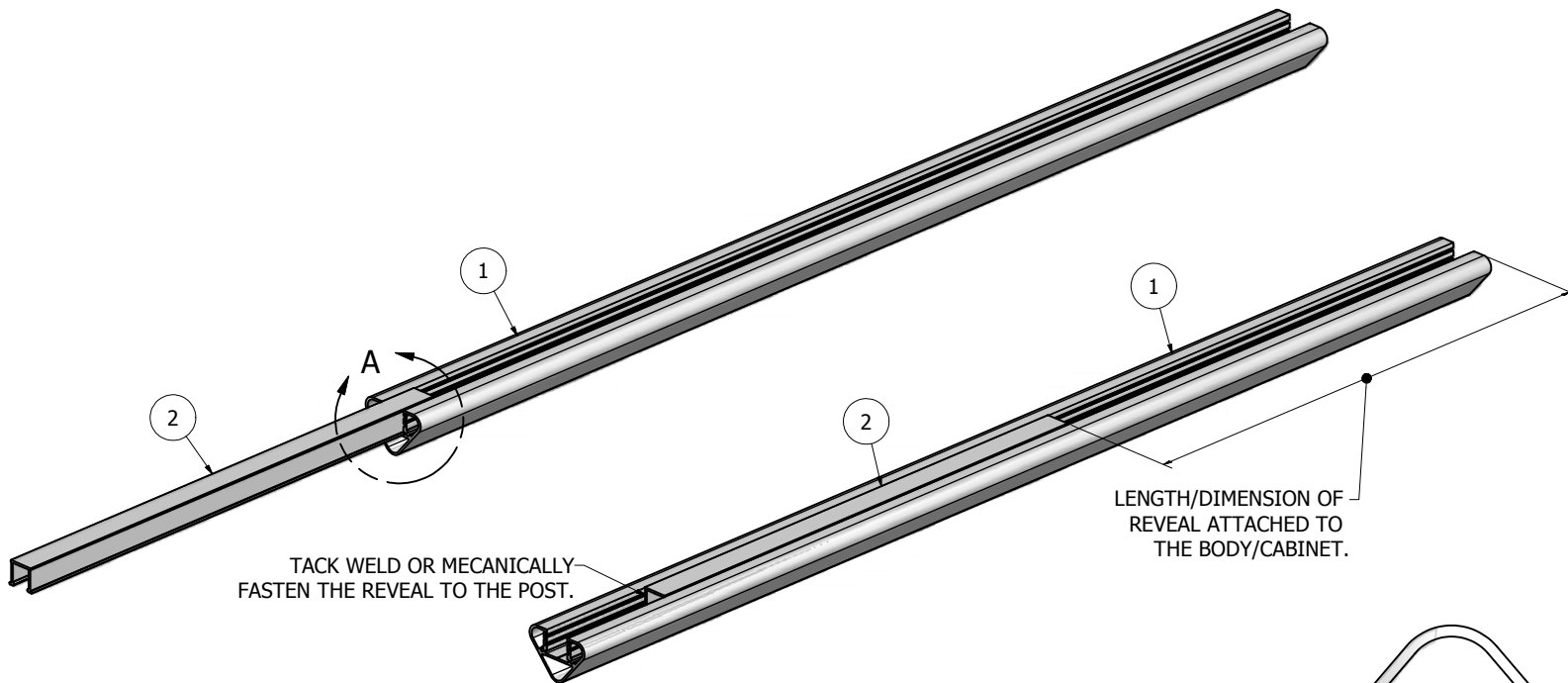


Parts List			
ITEM	PART #	DESCRIPTION	NOTE
1	1250	Series 3, 3-1/4" Triangular Post with Radius Edges	
2	1200	Series 2/3 Reveal	Tack weld or mechanically fasten to post



INSERT THE REVEAL/FILLER INTO THE ZERO REVEAL POSITION. SLIDED IT UP INTO THE POST.

Ship To:

Order Number:

NOTE: PRE-CUT KITS ARE NOT PRE-DRILLED.
 (Holes shown in this drawing are for reference only.
 Drilling of pilot holes are to be done by fabricator.)

THIS DRAWING WAS CREATED AT NO CHARGE TO ASSIST YOU IN VISUALIZING OUR PROPOSAL. THE DRAWING HEREIN IS THE PROPERTY OF SIGNCOMP. PERMISSION TO COPY OR REVISE THIS DRAWING OR TO USE THIS DRAWING FOR PRODUCTION IS STRICTLY PROHIBITED AND CAN ONLY BE COPIED, REVISED OR USED FOR PRODUCTION WITH THE EXPRESSED WRITTEN PERMISSION OF SIGNCOMP.

DRAWN	4/20/2010	SignComp	
CHECKED			
QA		TITLE	
MFG		Series 3, 3-1/4" Triangular Post with Radius Edges - Series 2/3 Reveal - Assembly	
APPROVED		SIZE	DWG NO
		C	1250-00
		SCALE	SHEET 1 OF 1