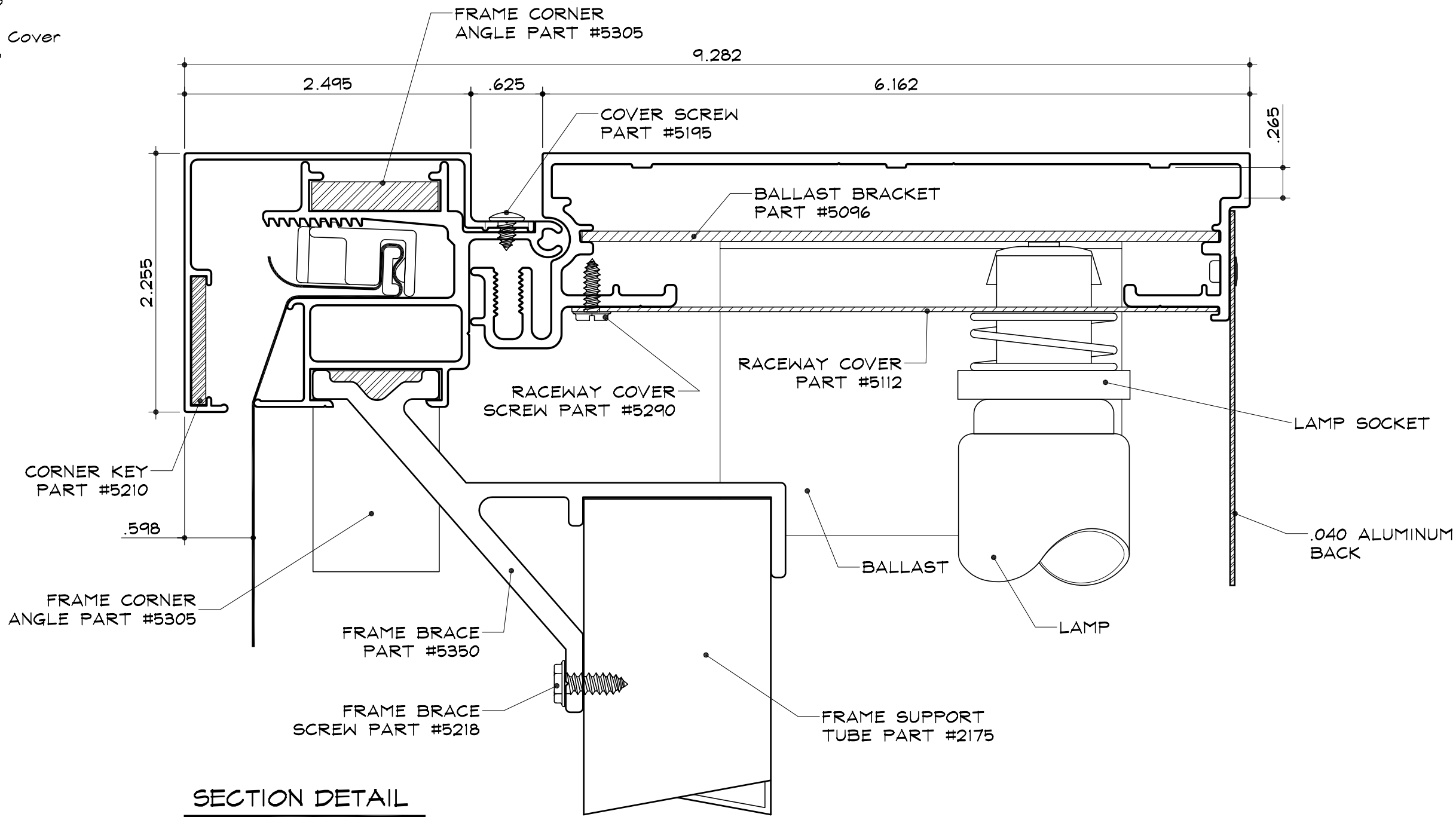


SC-4 for Flex Faces - Electrical

Single Face Body
Part #2025

Dual Frame
Part #2065

Dual Frame Cover
Part #2075



SECTION DETAIL

SCALE : 1" = 1"

NOTES:

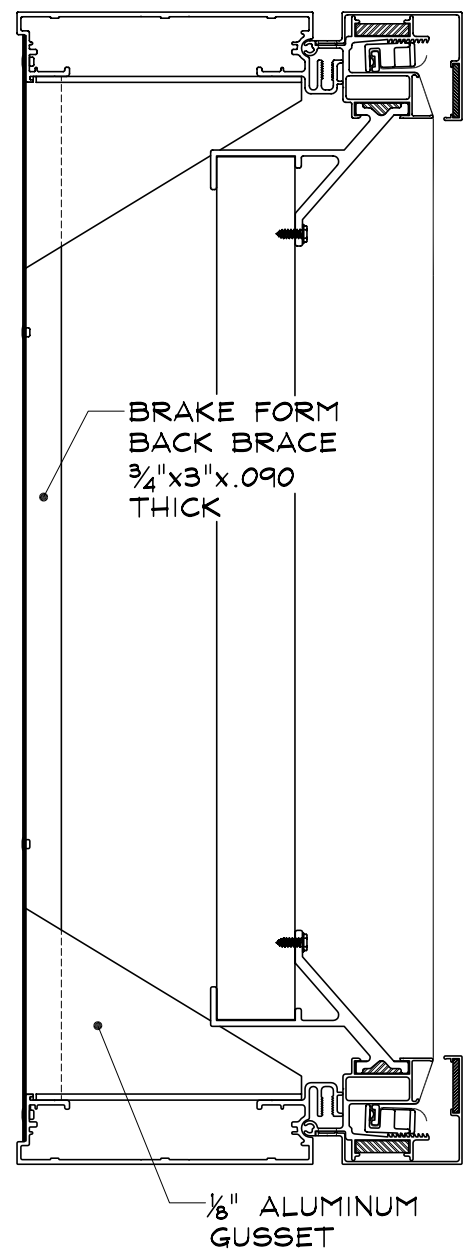
1. Add 1" to size of cabinet (vertical or horizontal) when the size of the cabinet is the same as the nominal lamp length.
2. SignComp does not supply the Ballast(s), Lamps, Lamp Sockets or the .040 Aluminum Back.

SC-4 for Flex Faces - Structural

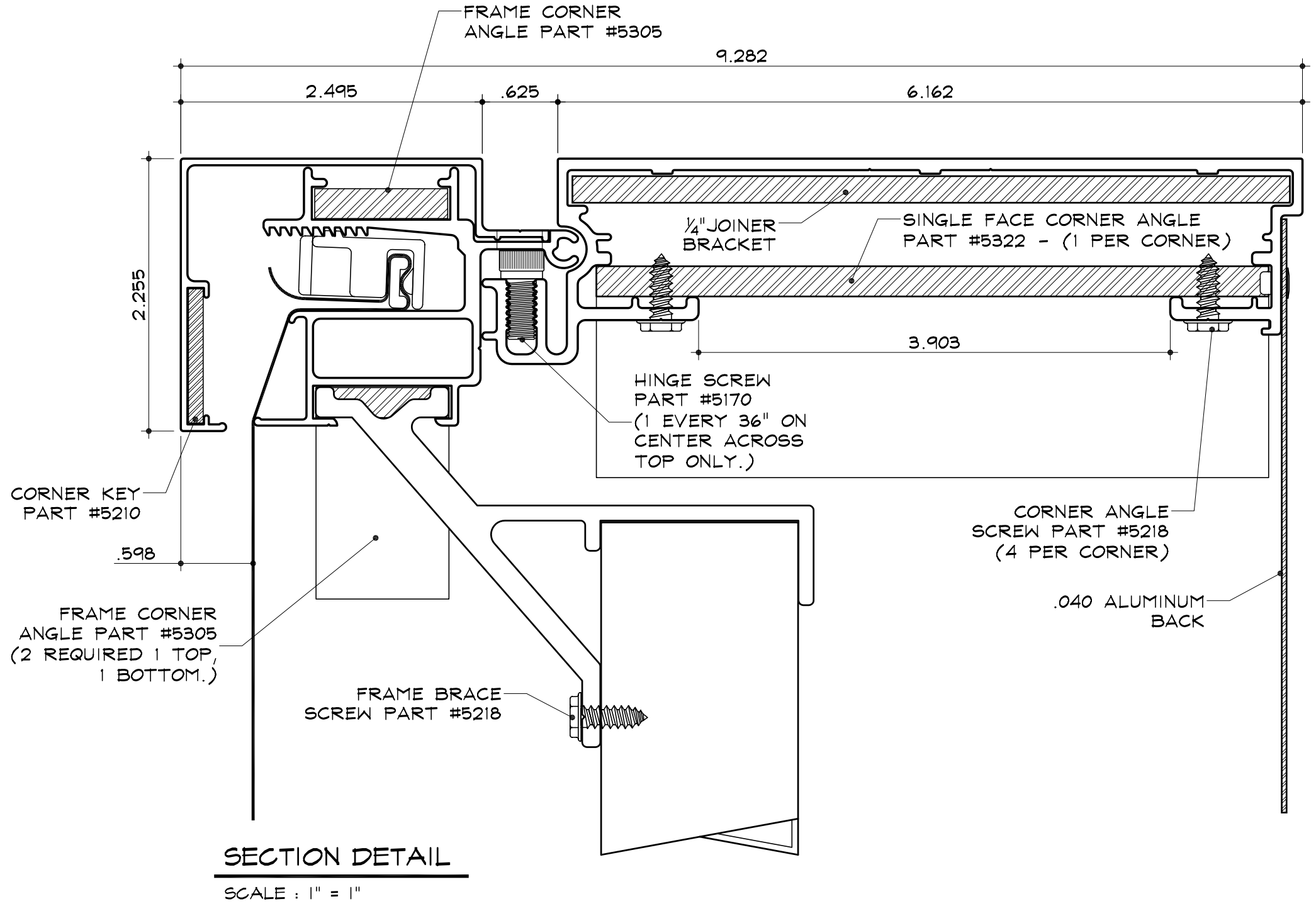
Single Face Body
Part #2025

Dual Frame
Part #2065

Dual Frame Cover
Part #2075



FULL SECTION
SCALE : 3" = 1"



SECTION DETAIL
SCALE : 1" = 1"

NOTES:

1. Add 1" to size of cabinet (vertical or horizontal) when the size of the cabinet is the same as the nominal lamp length.
2. SignComp does not supply the Material for Gussets, 1/4" Joiner Bracket, or .040 Aluminum Back.

