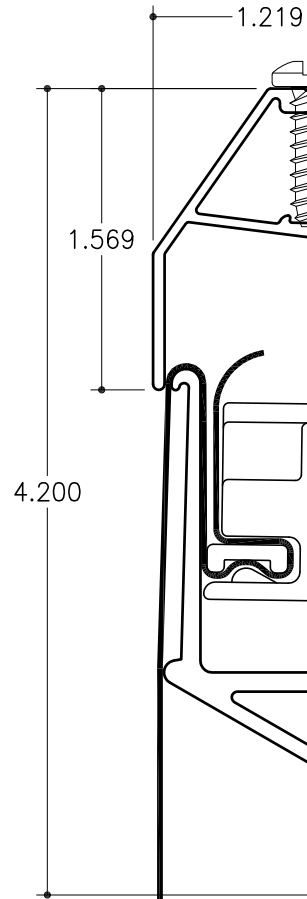


SC-31 for Flex Faces

Wall Mount Tension Frame  
Part #2090

Wall Mount Tension Frame Cover  
Part # 2091

COVER SCREW  
PART #5215  
**NOTE: PRESSURE FIT**  
**DO NOT OVER TIGHTEN.**



DRILL 1/8" PILOT HOLE  
**NOTE: DRILL THROUGH**  
**OUTSIDE ONLY.**

METHOD OF ATTACHMENT  
TO BE DETERMIND BY  
INSTALLER.

STANDARD  
CORNER KEY  
PART #5210

**SECTION DETAIL**

SCALE : 1"=1"